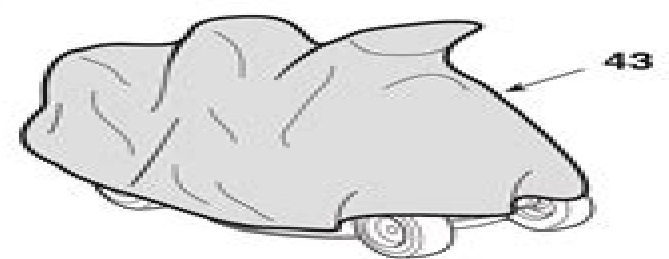
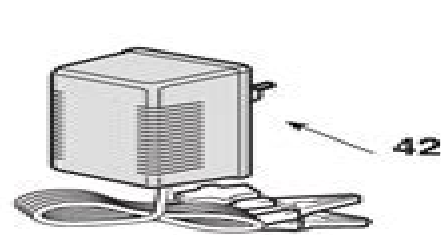
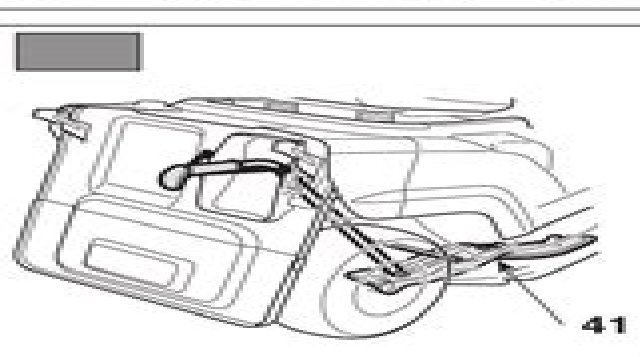
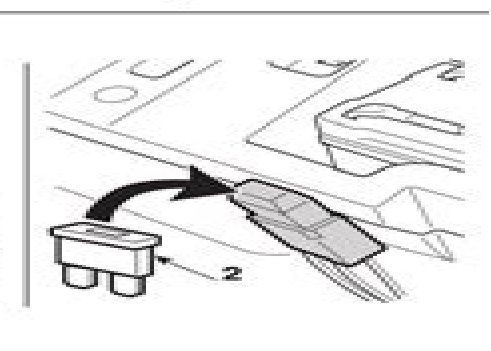
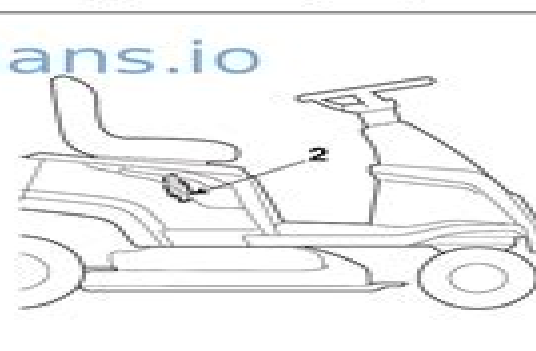


Mans.io



# Castel Garden User Manual

**Frank Forester**



## Castel Garden User Manual:

**The Official Railway Guide** ,1886     Humphrey's Manual of Type-writing, Business Letter-writer, and Exercises for Phonographic Practice Frank S. Humphrey,1887     *The Herb Gardener's Manual* Jessica Houdret,2002     **Valentine's Manual of Old New York** Henry Collins Brown,1917     *The Everything Guide to Online Genealogy* Kimberly Powell,2010-12-18 Trace and record your family history online Are you a descendant of ancient kings Were your ancestors fierce warriors Are you related to an eminent scholar With *The Everything Guide to Online Genealogy* 2nd Edition now you can find out If you re interested in your family history you have a wealth of information and misinformation at your fingertips Enter expert genealogist Kimberly Powell to steer you in the right direction Powell helps you Effectively search various websites Decipher census data and other online records Choose the best way to share your data both on and offline Connect with other genealogists via social media outlets Packed with tips on free databases search sites and downloadable government records you ll have all you need to find your ancestors going back dozens of generations     Universal Manual of Ready Reference Henry Woldmar Ruoff,1904     **The Complete Manual for Young Sportsmen** Frank Forester,2019-10-29 All the essentials for the young outdoorsman Originally published in 1865 *The Complete Manual for Young Sportsmen* is every young man or young woman s guide to everything outdoors This new edition of the classic handbook provides instructions tips and facts about everything from hunting to fishing to animal s habits With new updated illustrations and step by step instructions every person young and old can learn to be an outdoorsman Learn how to handle and shoot a gun or rifle with ease so that you hit every shot you make Learn the best ways to hunt deer fowl and multiple other varieties of animals The secrets of animal s habits and habitats are now yours to utilize *The Complete Manual for Young Sportsmen* will even teach you the ways of hunting with dogs In addition not only will you learn about hunting but also about fishing in rivers lakes even sea fishing Learn the best ways to handle a fishing rod and never lose your catch again With this updated version of *The Complete Manual for Young Sportsmen* you can impress friends and family with your outdoor skills in no time

Kings Handbook of New York City Moses King,1893     **Valentine's Manual of the City of New York** ,1917

**Americans All, Immigrants All, a Handbook for Listeners and a Manual** United States. Office of Education,1942

**Monthly Catalog of United States Government Publications** ,1969     *Catalog of Copyright Entries. Third Series* Library of Congress. Copyright Office,1974     *The Eno Collection of New York City Views* New York Public Library, Frank Weitenkampf,1925     **The Publisher** ,1904     *Popular Science* ,1928-02 *Popular Science* gives our readers the information and tools to improve their technology and their world The core belief that *Popular Science* and our readers share The future is going to be better and science and technology are the driving forces that will help make it better     **Metal Worker, Plumber and Steam Fitter** ,1881     **Bulletin of the New York Public Library** New York Public Library,1901 Includes its Report 1896 19     A Catalogue of ... [books] ... Bernard Quaritch (Firm),1912     **The Journal of Education**

,1894 Japanese Gardens Seiko Goto,Takahiro Naka,2015-10-16 The unique beauty of the Japanese garden stems from its spirituality and rich symbolism yet most discussions on this kind of garden rarely provide more than a superficial overview This book takes a thorough look at the process of designing a Japanese garden placing it in a historical and philosophical context Goto and Naka both academic experts in Japanese garden history and design explore The themes and usage of the Japanese garden Common garden types such as tea and Zen gardens Key maintenance techniques and issues Featuring beautiful full colour images and a glossary of essential Japanese terms this book will dramatically transform your understanding of the Japanese garden as a cultural treasure

Immerse yourself in heartwarming tales of love and emotion with Crafted by is touching creation, Experience Loveis Journey in **Castel Garden User Manual** . This emotionally charged ebook, available for download in a PDF format ( Download in PDF: \*), is a celebration of love in all its forms. Download now and let the warmth of these stories envelop your heart.

[https://www.portal.goodeyes.com/About/publication/Download\\_PDFS/ford\\_8n\\_owners\\_manual.pdf](https://www.portal.goodeyes.com/About/publication/Download_PDFS/ford_8n_owners_manual.pdf)

## **Table of Contents Castel Garden User Manual**

1. Understanding the eBook Castel Garden User Manual
  - The Rise of Digital Reading Castel Garden User Manual
  - Advantages of eBooks Over Traditional Books
2. Identifying Castel Garden User Manual
  - Exploring Different Genres
  - Considering Fiction vs. Non-Fiction
  - Determining Your Reading Goals
3. Choosing the Right eBook Platform
  - Popular eBook Platforms
  - Features to Look for in an Castel Garden User Manual
  - User-Friendly Interface
4. Exploring eBook Recommendations from Castel Garden User Manual
  - Personalized Recommendations
  - Castel Garden User Manual User Reviews and Ratings
  - Castel Garden User Manual and Bestseller Lists
5. Accessing Castel Garden User Manual Free and Paid eBooks
  - Castel Garden User Manual Public Domain eBooks
  - Castel Garden User Manual eBook Subscription Services
  - Castel Garden User Manual Budget-Friendly Options
6. Navigating Castel Garden User Manual eBook Formats

- ePub, PDF, MOBI, and More
  - Castel Garden User Manual Compatibility with Devices
  - Castel Garden User Manual Enhanced eBook Features
7. Enhancing Your Reading Experience
    - Adjustable Fonts and Text Sizes of Castel Garden User Manual
    - Highlighting and Note-Taking Castel Garden User Manual
    - Interactive Elements Castel Garden User Manual
  8. Staying Engaged with Castel Garden User Manual
    - Joining Online Reading Communities
    - Participating in Virtual Book Clubs
    - Following Authors and Publishers Castel Garden User Manual
  9. Balancing eBooks and Physical Books Castel Garden User Manual
    - Benefits of a Digital Library
    - Creating a Diverse Reading Collection Castel Garden User Manual
  10. Overcoming Reading Challenges
    - Dealing with Digital Eye Strain
    - Minimizing Distractions
    - Managing Screen Time
  11. Cultivating a Reading Routine Castel Garden User Manual
    - Setting Reading Goals Castel Garden User Manual
    - Carving Out Dedicated Reading Time
  12. Sourcing Reliable Information of Castel Garden User Manual
    - Fact-Checking eBook Content of Castel Garden User Manual
    - Distinguishing Credible Sources
  13. Promoting Lifelong Learning
    - Utilizing eBooks for Skill Development
    - Exploring Educational eBooks
  14. Embracing eBook Trends
    - Integration of Multimedia Elements
    - Interactive and Gamified eBooks

## Castel Garden User Manual Introduction

In today's digital age, the availability of Castel Garden User Manual books and manuals for download has revolutionized the way we access information. Gone are the days of physically flipping through pages and carrying heavy textbooks or manuals. With just a few clicks, we can now access a wealth of knowledge from the comfort of our own homes or on the go. This article will explore the advantages of Castel Garden User Manual books and manuals for download, along with some popular platforms that offer these resources. One of the significant advantages of Castel Garden User Manual books and manuals for download is the cost-saving aspect. Traditional books and manuals can be costly, especially if you need to purchase several of them for educational or professional purposes. By accessing Castel Garden User Manual versions, you eliminate the need to spend money on physical copies. This not only saves you money but also reduces the environmental impact associated with book production and transportation. Furthermore, Castel Garden User Manual books and manuals for download are incredibly convenient. With just a computer or smartphone and an internet connection, you can access a vast library of resources on any subject imaginable. Whether you're a student looking for textbooks, a professional seeking industry-specific manuals, or someone interested in self-improvement, these digital resources provide an efficient and accessible means of acquiring knowledge. Moreover, PDF books and manuals offer a range of benefits compared to other digital formats. PDF files are designed to retain their formatting regardless of the device used to open them. This ensures that the content appears exactly as intended by the author, with no loss of formatting or missing graphics. Additionally, PDF files can be easily annotated, bookmarked, and searched for specific terms, making them highly practical for studying or referencing. When it comes to accessing Castel Garden User Manual books and manuals, several platforms offer an extensive collection of resources. One such platform is Project Gutenberg, a nonprofit organization that provides over 60,000 free eBooks. These books are primarily in the public domain, meaning they can be freely distributed and downloaded. Project Gutenberg offers a wide range of classic literature, making it an excellent resource for literature enthusiasts. Another popular platform for Castel Garden User Manual books and manuals is Open Library. Open Library is an initiative of the Internet Archive, a nonprofit organization dedicated to digitizing cultural artifacts and making them accessible to the public. Open Library hosts millions of books, including both public domain works and contemporary titles. It also allows users to borrow digital copies of certain books for a limited period, similar to a library lending system. Additionally, many universities and educational institutions have their own digital libraries that provide free access to PDF books and manuals. These libraries often offer academic texts, research papers, and technical manuals, making them invaluable resources for students and researchers. Some notable examples include MIT OpenCourseWare, which offers free access to course materials from the Massachusetts Institute of Technology, and the Digital Public Library of America, which provides a vast collection of digitized books and historical documents. In conclusion, Castel Garden User Manual books and manuals for download have transformed the way

we access information. They provide a cost-effective and convenient means of acquiring knowledge, offering the ability to access a vast library of resources at our fingertips. With platforms like Project Gutenberg, Open Library, and various digital libraries offered by educational institutions, we have access to an ever-expanding collection of books and manuals. Whether for educational, professional, or personal purposes, these digital resources serve as valuable tools for continuous learning and self-improvement. So why not take advantage of the vast world of Castel Garden User Manual books and manuals for download and embark on your journey of knowledge?

## **FAQs About Castel Garden User Manual Books**

**What is a Castel Garden User Manual PDF?** A PDF (Portable Document Format) is a file format developed by Adobe that preserves the layout and formatting of a document, regardless of the software, hardware, or operating system used to view or print it. **How do I create a Castel Garden User Manual PDF?** There are several ways to create a PDF: Use software like Adobe Acrobat, Microsoft Word, or Google Docs, which often have built-in PDF creation tools. Print to PDF: Many applications and operating systems have a "Print to PDF" option that allows you to save a document as a PDF file instead of printing it on paper. Online converters: There are various online tools that can convert different file types to PDF. **How do I edit a Castel Garden User Manual PDF?** Editing a PDF can be done with software like Adobe Acrobat, which allows direct editing of text, images, and other elements within the PDF. Some free tools, like PDFescape or Smallpdf, also offer basic editing capabilities. **How do I convert a Castel Garden User Manual PDF to another file format?** There are multiple ways to convert a PDF to another format: Use online converters like Smallpdf, Zamzar, or Adobe Acrobats export feature to convert PDFs to formats like Word, Excel, JPEG, etc. Software like Adobe Acrobat, Microsoft Word, or other PDF editors may have options to export or save PDFs in different formats. **How do I password-protect a Castel Garden User Manual PDF?** Most PDF editing software allows you to add password protection. In Adobe Acrobat, for instance, you can go to "File" -> "Properties" -> "Security" to set a password to restrict access or editing capabilities. Are there any free alternatives to Adobe Acrobat for working with PDFs? Yes, there are many free alternatives for working with PDFs, such as: LibreOffice: Offers PDF editing features. PDFsam: Allows splitting, merging, and editing PDFs. Foxit Reader: Provides basic PDF viewing and editing capabilities. How do I compress a PDF file? You can use online tools like Smallpdf, ILovePDF, or desktop software like Adobe Acrobat to compress PDF files without significant quality loss. Compression reduces the file size, making it easier to share and download. Can I fill out forms in a PDF file? Yes, most PDF viewers/editors like Adobe Acrobat, Preview (on Mac), or various online tools allow you to fill out forms in PDF files by selecting text fields and entering information. Are there any restrictions when working with PDFs? Some PDFs might have restrictions set by their creator, such as password



protection, editing restrictions, or print restrictions. Breaking these restrictions might require specific software or tools, which may or may not be legal depending on the circumstances and local laws.

### **Find Castel Garden User Manual :**

~~ford 8n owners manual~~

**ford edge 2013 manual**

ford 289 engine overhaul manual

*ford 3930 tractor parts manual*

**ford edge lights manual**

ford 550 digger workshop manual

**ford 555 owners manual**

~~ford escort 1981 repair service manual~~

ford capri mk3 manual

ford county manual 754

~~ford 5610s service manual~~

~~ford 2600 manual~~

ford 6600 manual

*ford escape 2001 2007 service repair workshop manual*

ford 555 e backhoe repair manual

### **Castel Garden User Manual :**

**john bevere preacher 1 bible sermon and christian** - Mar 30 2022

web john bevere 1 year ago john bevere podcast conversations with john lisa ep 190 how gratitude changes the game on a week when it s so easy to become distracted by family food and fun don t forget what this week really is an invitation to enter god s presence with gratitude gratitude changes everything

**the awe of god how to truly get close to god full sermon john bevere** - May 12 2023

web jan 27 2023 john bevere 145k subscribers subscribe share 415k views 7 months ago do you long for an intimate relationship with your creator but he seems elusive perhaps it is because something

christmas faith hacks john bevere youtube - Jan 28 2022

web christmas faith hacks john bevere youtube listen as pastor john bevere shares his christmas faith hack subscribe here bit ly 2l5xwm4follow lightworkers on social

**john bevere sermons online** - Jun 13 2023

web john bevere sermons online john bevere born 2 june 1959 is a best selling author originating from colorado he writes on a variety of christian and biblical based subjects and tours both nationally and internationally speaking on them john bevere is a man best known for his book the bait of satan with more than one million in print

john bevere audio sermons sermon index - Mar 10 2023

web john bevere 1959 listen to freely downloadable audio sermons by the speaker john bevere in mp3 format john is an international minister and best selling author known for his bold and uncompromising approach to god s word

john bevere - Oct 05 2022

web in this new book from john bevere discover how the healthy holy fear of god is the key that unlocks a life of intimacy with him keeps you from falling and gives you the power to finish well order now

john bevere sermons online results from 10 - Feb 26 2022

web watch john bevere sunday sermon awe of god special guest john bevere teaches us what true fear of the lord means and shares the promised blessings of fearing god s word and his presence

**john bevere there is purpose in every wilderness season** - Feb 09 2023

web may 3 2023 with matt and laurie crouch on tbn s praise listen as john bevere shares how to have victory in the wilderness seasons of your life this video was brought to you by tbn networks

*john bevere river valley church river valley church* - Jun 01 2022

web sep 15 2019 john bevere september 15 2019 listen to podcast get prayer share this sermon view more

**john lisa bevere sermons online** - Jul 14 2023

web the sermons by pastor john bevere teaches us the issues of salvation principles of life the spirituality of life the principles of the cross and the goodness of christ join us right here and enjoy every single sermon by pastor john bevere sermons by john bevere is brought to you in video and audio format for easy access

*john bevere youtube sermons john bevere video online sermons* - Aug 03 2022

web unbelievable life changing chat with a u s navy seal john bevere i ll never forget my conversation with a u s navy seal when god calls you no man can stop you and who you are is often the foundation for what god has called you to do read more stop drifting from your call lesson 2 of called course john bevere

**victory family church media stream services and access** - Sep 04 2022

web sermons by john bevere killing kryptonite nov 17 2019 john bevere topics redemption spiritual life repentance first

wednesday sep 07 2016 john bevere topics eternity purpose how we live impartation 2015 2 sunday morning jun 14 2015  
john bevere impartation 2015 1 saturday night

*the wilderness god where are you full sermon john bevere* - Nov 06 2022

web jun 4 2023 full sermon john bevere jun 4 2023 3060 views john bevere do you feel lost in a difficult season wondering  
god where are you perhaps you heard god speak but now he seems silent maybe you moved forward in faith but now his  
presence is nowhere to be found

**pursuing holiness full sermon john bevere youtube** - Jan 08 2023

web sep 3 2023 opener good and evil pursuing holiness full sermon john bevere john bevere 144k subscribers subscribe 497  
8 4k views 1 day ago johnbevere johnbevereteaching

*are you really serving jesus full sermon john bevere* - Dec 07 2022

web aug 20 2022 john bevere 146k subscribers subscribe 38k views 1 year ago johnbevere 2022sermon sermons god made  
us in his image be very careful you are not serving a god remade in your image dive

john bevere a knock off jesus oceans conference 2023 - Dec 27 2021

web apr 15 2023 share watch on are you believing in a knock off jesus john bevere teaches on the importance of repentance  
changing the way we think and turning away from our sins jesus isn t coming back for a bride whose attention is split  
between multiple vectors but rather for a bride who commits only to him pastor mark francey that was fast

**john bevere youtube** - Aug 15 2023

web full sermons play all pursuing holiness full sermon john bevere john bevere 39k views5 days ago the bait of satan how to  
move on from past pain and mistreatment full sermon

*the awe of god john bevere* - Jul 02 2022

web the awe of god bible study guide streaming video in this six session video bible study bestselling author john bevere  
explores more than forty promises in scripture given to those who embrace holy fear rewards such as holiness wisdom legacy  
confidence happiness and security

*the wilderness god where are you full sermon john bevere* - Apr 11 2023

web jun 4 2023 full sermon john bevere john bevere 143k subscribers subscribe 2 3k share 73k views 2 months ago  
darknightofthesoul johnbevereteaching johnbevere do you feel lost in a

**john bevere facebook** - Apr 30 2022

web john bevere 1 085 780 likes 6 520 talking about this official page for john bevere for schedule resources and podcasts  
visit johnbevere com

table tennis 2 in 1 tactiboard and training workbook by theo - Mar 29 2022

web jun 8 2023 david foster wallace on tennis a library of table tennis 2 in 1 tacticboard and training workbook 19 jan 2016  
por theo von taane papelaria r 57 37 table tennis

table tennis pro iki kişilik oyunlar - Jul 01 2022

web table tennis pro puan 4 1 5 17 defa puanlandı tek kişilik table tennis pro reklamlar table tennis pro oyunu table tennis  
pro puan 4 12 gerçekçi fiziklere

*3d table tennis tacticboard and training workbook - Dec 06 2022*

web the 2 in 1 tacticboard training workbook for fast creation of coaching instructions game tactics and schemes doesn't only  
offer sport specific preprints playing

table tennis 2 in 1 tacticboard and training workbook by theo - Sep 22 2021

web firebaseapp football belsport taane theo von table tennis 2 in 1 tacticboard and table tennis 2 in 1 note and tactic book  
with dry erase 3d table tennis tacticboard and

*amazon com table tennis 2 in 1 tacticboard and training - Jun 12 2023*

web jan 19 2016 amazon com table tennis 2 in 1 tacticboard and training workbook tactics strategies drills for trainer  
coaches notebook ping pong training exercise

**table tennis 2 in 1 tacticboard and training workbook tactics - Jan 07 2023**

web buy table tennis 2 in 1 tacticboard and training workbook tactics strategies drills for trainer coaches notebook ping pong  
training exercise exercises drills practice

**table tennis 2 in 1 tacticboard and training workbook - May 11 2023**

web the 2 in 1 tacticboard training workbook for fast creation of coaching instructions game tactics and schemes doesn't only  
offer sport specific preprints playing

**table tennis 2 in 1 tacticboard and training workbook tactics - Aug 14 2023**

web the 2 in 1 tacticboard training workbook for fast creation of coaching instructions game tactics and schemes doesn't only  
offer sport specific preprints playing

**table tennis 2 in 1 tacticboard and training work copy - Jan 27 2022**

web apr 29 2023 table tennis 2 in 1 tacticboard and training work 1 11 downloaded from uniport edu ng on april 29 2023 by  
guest table tennis 2 in 1 tacticboard and

*table tennis 2 in 1 tacticboard and training work uniport edu - Feb 25 2022*

web apr 23 2023 table tennis 2 in 1 tacticboard and training workbook theo von taane 2016 01 19 the 2 in 1 tacticboard  
training workbook for fast creation of coaching

**table tennis two player games - Nov 24 2021**

web an attractive table tennis game with you it is a professional game that does not look like the real with its advanced physics follow the ball well and surprise your opponent

**table tennis sets buy table tennis sets online at best prices** - Apr 29 2022

web stag 1 star table tennis playset 2 racquets 3 balls orange ball model 1 star playset 4 2 out of 5 stars 1 959 quick look 689 00 myaddiction clamp base table

*table tennis 2 in 1 tacticboard and training workbook* - Jul 13 2023

web table tennis 2 in 1 tacticboard and training workbook free shipping no customs duty by author theo von taane

table tennis 2 in 1 tacticboard and training workbook by theo - Oct 04 2022

web table tennis 2 in 1 tacticboard and training workbook may 1st 2020 the 2 in 1 tacticboard amp training workbook for fast creation of coaching instructions game

**how to plan an effective table tennis training session** - Nov 05 2022

web if you want to improve in table tennis you ll need to put in hours of hard and smart work this guide will cover the best way to structure your table tennis training sessions so

*2 kişilik tenis oyna profesyonel tenis oyunu milliyet* - Dec 26 2021

web bilgisayara karşı veya 2 oyuncu modunda arkadaşınıza karşı oynayabilirsiniz güçlendiricileri ve eğlenceli dönüşümleri toplayarak gücünüze güç katın oyun tuşları

**tennis 2 in 1 tacticboard and training workbook** - Mar 09 2023

web tennis 2 in 1 tacticboard and training workbook free shipping no customs duty by author theo von taane

table tennis 2 in 1 tacticboard and training work sakila press - Sep 03 2022

web 1 table tennis 2 in 1 tacticboard and training work getting the books table tennis 2 in 1 tacticboard and training work now is not type of inspiring means you could not

**table tennis 2 in 1 tacticboard and training workbook tactics** - Feb 08 2023

web the 2 in 1 tacticboard training workbook for fast creation of coaching instructions game tactics and schemes doesn t only offer sport specific preprints playing

**table tennis tutorial online tutorials library** - May 31 2022

web table tennis tutorial table tennis is an indoor game which is played on a table divided in between by a net the game has variants like singles doubles and mixed doubles

table tennis 2 in 1 tacticboard and training work - Aug 02 2022

web you may not be perplexed to enjoy all book collections table tennis 2 in 1 tacticboard and training work that we will extremely offer it is not all but the costs its

*table tennis 2 in 1 tacticboard and training workbook by theo* - Oct 24 2021

web april 26th 2020 *table tennis 2 in 1 tacticboard and training workbook* 19 jan 2016 por theo von taane papelaria r 57 37

*table tennis skills techniques tactics* 1 jun 2009 por

**table tennis 2 in 1 tacticboard and training workbook tactics** - Apr 10 2023

web buy *table tennis 2 in 1 tacticboard and training workbook tactics strategies drills for trainer coaches notebook ping pong training exercise technique sport club play*

*il killer pagliaccio gli inizi di riley paige libro 2* - Aug 15 2023

web may 1 2019 *la brillante tirocinante dell fbi riley paige a soli 22 anni si sforza di interpretare gli enigmi del sadico serial killer definito dai media come killer*

*il killer pagliaccio gli inizi di riley paige lib fwhlmail* - Feb 26 2022

web *la brillante tirocinante dell fbi riley paige a soli 22 anni si sforza di interpretare gli enigmi del sadico serial killer definito dai media come killer pagliaccio ma diventa una*

*il killer pagliaccio gli inizi di riley paige lib blog theupside* - Apr 30 2022

web *bundle dei gli inizi di riley paige il killer pagliaccio 2 e adescamento 3 bundle dei thriller di may moore non scappare mai 1 il mistero del lago 2 e il sentiero nel*

*il killer pagliaccio gli inizi di riley paige libro 2 by blake pierce* - Jun 01 2022

web *bundle dei gli inizi di riley paige la prima caccia 1 il killer pagliaccio 2 e adescamento 3 non scappare mai un emozionante thriller di may moore libro 1*

*il killer pagliaccio gli inizi di riley paige libro 2 listen to* - Jan 28 2022

web *ricco di colpi di scena questo libro vi terrà svegli fino all ultima pagina books and movie reviews roberto mattos su il killer della rosa il killer pagliaccio gli inizi di*

*il killer pagliaccio gli inizi di riley paige libro 2* - Mar 10 2023

web dec 25 2018 *il killer pagliaccio gli inizi di riley paige libro due è il libro 2 in una nuova serie di thriller psicologici di blake pierce autore di serie di successo il*

*il killer pagliaccio gli inizi di riley paige libro 2* - Jun 13 2023

web dec 25 2018 *il killer pagliaccio gli inizi di riley paige libro due è il libro 2 in una nuova serie di thriller psicologici di blake pierce autore di serie di successo il*

*chapter 8 3 chapter 9 1 il killer pagliaccio gli inizi di riley* - Nov 06 2022

web provided to youtube by bookwirechapter 17 3 *il killer pagliaccio gli inizi di riley paige libro 2 blake pierce il killer pagliaccio gli inizi di riley*

**il killer pagliaccio gli inizi di riley paige lib copy uniport edu** - Nov 25 2021

**il killer pagliaccio gli inizi di riley paige lib copy vod** - Jul 02 2022

web jun 12 2023 riley paige libro due è il libro 2 in una nuova serie di thriller psicologici di blake pierce autore di serie di successo il cui bestseller gratuito il killer della rosa

il killer pagliaccio gli inizi di riley paige libro 2 scribd - Jul 14 2023

web il killer pagliaccio gli inizi di riley paige libro 2 è un ebook di pierce blake pubblicato da blake pierce a 3 99 il file è in formato epub2 con drmfree risparmia

il killer pagliaccio gli inizi di riley paige libro 2 google play - Apr 11 2023

web jan 27 2021 il killer pagliaccio gli inizi di riley paige libro due è il libro 2 in una nuova serie di thriller psicologici di blake pierce autore di serie di successo il cui

il killer pagliaccio gli inizi di riley paige libro 2 fnac - Jan 08 2023

web dec 25 2018 una volta arrivato il pagliaccio gli inizi di riley paige vol 2 è il libro 2 di una nuova serie di thriller psicologici dell'autore di bestseller blake pierce il

il killer pagliaccio gli inizi di riley paige lib old talentsprint - Mar 30 2022

web bundle dei gli inizi di riley paige il killer pagliaccio 2 e adescamento 3 bundle dei thriller di zoe prime il volto della paura 3 e il volto della follia 4 bundle dei gli

*chapter 17 3 il killer pagliaccio gli inizi di riley paige libro 2* - Oct 05 2022

web bundle dei thriller di riley paige libri 1 17 quasi scomparsa la ragazza alla pari libro uno la ragazza che lui aveva scelto un suspense thriller dell'fbi di paige king

**il killer pagliaccio gli inizi di riley paige lib pdf ci kubesail** - Sep 04 2022

web il killer pagliaccio gli inizi di riley paige lib once chosen a riley paige mystery book 17 mar 28 2022 a masterpiece of thriller and mystery the author did

**il killer pagliaccio gli inizi di riley paige lib** - Aug 03 2022

web il killer pagliaccio gli inizi di riley paige lib 1 il killer pagliaccio gli inizi di riley paige lib pacco thriller psicologici di la ragazza alla pari quasi scomparsa 1

il killer pagliaccio overdrive - Dec 27 2021

web aug 19 2023 il killer pagliaccio gli inizi di riley paige lib 2 24 downloaded from uniport edu ng on august 19 2023 by guest non dormire un thriller con l'agente dell'fbi

il killer pagliaccio gli inizi di riley paige libro 2 - May 12 2023

web il killer pagliaccio gli inizi di riley paige libro due è il libro 2 in una nuova serie di thriller psicologici di blake pierce  
autore di serie di successo il cui

il killer pagliaccio overdrive - Feb 09 2023

web il killer pagliaccio gli inizi di riley paige libro 2 blake pierce blake pierce des milliers de livres avec la livraison chez vous  
en 1 jour ou en magasin avec 5 de

*il killer pagliaccio gli inizi di riley paigelibro 2 z library* - Dec 07 2022

web mar 25 2023 provided to youtube by bookwirechapter 8 3 chapter 9 1 il killer pagliaccio gli inizi di riley paige libro 2  
blake pierceil killer pagliaccio gli in