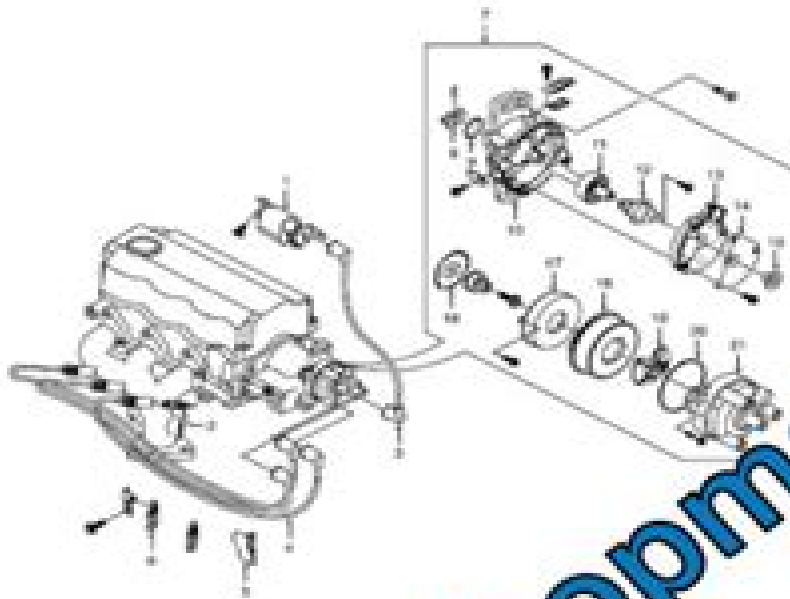


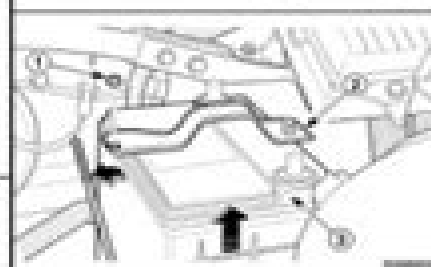
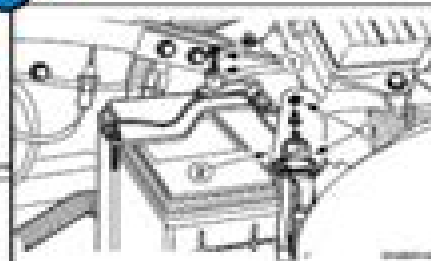
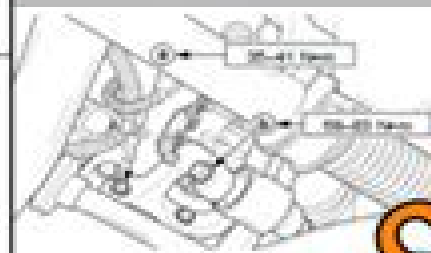
# Chevrolet Spark Workshop Manual

ENGINE ELECTRICAL 15E-16 ENGINE ELECTRICAL

## IGNITION SYSTEM



- |                               |                         |
|-------------------------------|-------------------------|
| 1 Ignition Coil               | 15 Ignition Sensor Unit |
| 2 Spark Plug                  | 16 Drive Shaft          |
| 3 Ignition Wire (40)          | 17 Drive Shaft Bushing  |
| 4 Ignition Wires (41, 42, 43) | 18 Drive Wheel          |
| 5 Support Clamp               | 19 Inner Cover          |
| 6 Mounting Clamp              | 20 Outer Cover          |
| 7 Distributor Assembly        | 21 Distributor Rotor    |
| 8 Coupling                    | 22 Distributor Cap Seal |
| 9 Distributor Oil Seal        | 23 Distributor Cap      |
| 10 Distributor Housing        |                         |
| 11 Distributor Shaft          |                         |



## Installation Procedure

1. Install in the reverse order for driver side.
  2. Install the engine mounting rod ball and nut to 55-63 form (55-63 6-4) (2).
  3. Install the engine mounting lower bracket ball and nut to 25-30 form (25-30 6-4) (2).
  4. Install the engine mounting lower bracket, attach the engine mounting rod ball and nut to 55-63 form (55-63 6-4) (2).
  5. Install the balls and nut.
- Tighten**
- Tighten the generator adjusting ball to 4-7 Nm (35-42 6-4) (2).
  - Tighten the generator lower bracket ball and nut to 18-25 Nm (13-21 6-4) (2).
  - Inspect the generator drive belt tension.

**PDF**  
**DOWNLOAD**

## BATTERY

### Removal Procedure

1. Disconnect the negative battery cable and then disconnect the positive battery cable.
  - Remove the battery cable nut to disconnect the negative battery cable (1).
  - Remove the battery terminal cap (2).
  - Remove the battery cable nut to disconnect the positive battery cable (3).
2. Remove the battery.
  - Remove the battery nut nut (1).
  - Remove the battery nut (2).
  - Remove the battery (3).

workshopmanuals.org

# Chevrolet Spark Air Con Repair Manual

**Jin-Ying Zhang**



## **Chevrolet Spark Air Con Repair Manual:**

The Top Books of the Year Chevrolet Spark Air Con Repair Manual The year 2023 has witnessed a remarkable surge in literary brilliance, with numerous captivating novels captivating the hearts of readers worldwide. Lets delve into the realm of popular books, exploring the engaging narratives that have captivated audiences this year. The Must-Read : Colleen Hoover's "It Ends with Us" This poignant tale of love, loss, and resilience has captivated readers with its raw and emotional exploration of domestic abuse. Hoover masterfully weaves a story of hope and healing, reminding us that even in the darkest of times, the human spirit can prevail. Chevrolet Spark Air Con Repair Manual : Taylor Jenkins Reids "The Seven Husbands of Evelyn Hugo" This intriguing historical fiction novel unravels the life of Evelyn Hugo, a Hollywood icon who defies expectations and societal norms to pursue her dreams. Reids captivating storytelling and compelling characters transport readers to a bygone era, immersing them in a world of glamour, ambition, and self-discovery. Chevrolet Spark Air Con Repair Manual : Delia Owens "Where the Crawdads Sing" This mesmerizing coming-of-age story follows Kya Clark, a young woman who grows up alone in the marshes of North Carolina. Owens crafts a tale of resilience, survival, and the transformative power of nature, captivating readers with its evocative prose and mesmerizing setting. These bestselling novels represent just a fraction of the literary treasures that have emerged in 2023. Whether you seek tales of romance, adventure, or personal growth, the world of literature offers an abundance of engaging stories waiting to be discovered. The novel begins with Richard Papan, a bright but troubled young man, arriving at Hampden College. Richard is immediately drawn to the group of students who call themselves the Classics Club. The club is led by Henry Winter, a brilliant and charismatic young man. Henry is obsessed with Greek mythology and philosophy, and he quickly draws Richard into his world. The other members of the Classics Club are equally as fascinating. Bunny Corcoran is a wealthy and spoiled young man who is always looking for a good time. Charles Tavis is a quiet and reserved young man who is deeply in love with Henry. Camilla Macaulay is a beautiful and intelligent young woman who is drawn to the power and danger of the Classics Club. The students are all deeply in love with Morrow, and they are willing to do anything to please him. Morrow is a complex and mysterious figure, and he seems to be manipulating the students for his own purposes. As the students become more involved with Morrow, they begin to commit increasingly dangerous acts. The Secret History is an exceptional and thrilling novel that will keep you guessing until the very end. The novel is a warning tale about the dangers of obsession and the power of evil.

[https://www.portal.goodeyes.com/About/browse/Documents/Cusersbejovideostes943K\\_Filtered\\_KWMixed\\_002444txt.pdf](https://www.portal.goodeyes.com/About/browse/Documents/Cusersbejovideostes943K_Filtered_KWMixed_002444txt.pdf)

## Table of Contents Chevrolet Spark Air Con Repair Manual

1. Understanding the eBook Chevrolet Spark Air Con Repair Manual
  - The Rise of Digital Reading Chevrolet Spark Air Con Repair Manual
  - Advantages of eBooks Over Traditional Books
2. Identifying Chevrolet Spark Air Con Repair Manual
  - Exploring Different Genres
  - Considering Fiction vs. Non-Fiction
  - Determining Your Reading Goals
3. Choosing the Right eBook Platform
  - Popular eBook Platforms
  - Features to Look for in an Chevrolet Spark Air Con Repair Manual
  - User-Friendly Interface
4. Exploring eBook Recommendations from Chevrolet Spark Air Con Repair Manual
  - Personalized Recommendations
  - Chevrolet Spark Air Con Repair Manual User Reviews and Ratings
  - Chevrolet Spark Air Con Repair Manual and Bestseller Lists
5. Accessing Chevrolet Spark Air Con Repair Manual Free and Paid eBooks
  - Chevrolet Spark Air Con Repair Manual Public Domain eBooks
  - Chevrolet Spark Air Con Repair Manual eBook Subscription Services
  - Chevrolet Spark Air Con Repair Manual Budget-Friendly Options
6. Navigating Chevrolet Spark Air Con Repair Manual eBook Formats
  - ePub, PDF, MOBI, and More
  - Chevrolet Spark Air Con Repair Manual Compatibility with Devices
  - Chevrolet Spark Air Con Repair Manual Enhanced eBook Features
7. Enhancing Your Reading Experience
  - Adjustable Fonts and Text Sizes of Chevrolet Spark Air Con Repair Manual
  - Highlighting and Note-Taking Chevrolet Spark Air Con Repair Manual
  - Interactive Elements Chevrolet Spark Air Con Repair Manual
8. Staying Engaged with Chevrolet Spark Air Con Repair Manual

- Joining Online Reading Communities
- Participating in Virtual Book Clubs
- Following Authors and Publishers Chevrolet Spark Air Con Repair Manual
- 9. Balancing eBooks and Physical Books Chevrolet Spark Air Con Repair Manual
  - Benefits of a Digital Library
  - Creating a Diverse Reading Collection Chevrolet Spark Air Con Repair Manual
- 10. Overcoming Reading Challenges
  - Dealing with Digital Eye Strain
  - Minimizing Distractions
  - Managing Screen Time
- 11. Cultivating a Reading Routine Chevrolet Spark Air Con Repair Manual
  - Setting Reading Goals Chevrolet Spark Air Con Repair Manual
  - Carving Out Dedicated Reading Time
- 12. Sourcing Reliable Information of Chevrolet Spark Air Con Repair Manual
  - Fact-Checking eBook Content of Chevrolet Spark Air Con Repair Manual
  - Distinguishing Credible Sources
- 13. Promoting Lifelong Learning
  - Utilizing eBooks for Skill Development
  - Exploring Educational eBooks
- 14. Embracing eBook Trends
  - Integration of Multimedia Elements
  - Interactive and Gamified eBooks

## **Chevrolet Spark Air Con Repair Manual Introduction**

In this digital age, the convenience of accessing information at our fingertips has become a necessity. Whether its research papers, eBooks, or user manuals, PDF files have become the preferred format for sharing and reading documents. However, the cost associated with purchasing PDF files can sometimes be a barrier for many individuals and organizations. Thankfully, there are numerous websites and platforms that allow users to download free PDF files legally. In this article, we will explore some of the best platforms to download free PDFs. One of the most popular platforms to download free PDF files is Project Gutenberg. This online library offers over 60,000 free eBooks that are in the public domain. From classic literature to

historical documents, Project Gutenberg provides a wide range of PDF files that can be downloaded and enjoyed on various devices. The website is user-friendly and allows users to search for specific titles or browse through different categories. Another reliable platform for downloading Chevrolet Spark Air Con Repair Manual free PDF files is Open Library. With its vast collection of over 1 million eBooks, Open Library has something for every reader. The website offers a seamless experience by providing options to borrow or download PDF files. Users simply need to create a free account to access this treasure trove of knowledge. Open Library also allows users to contribute by uploading and sharing their own PDF files, making it a collaborative platform for book enthusiasts. For those interested in academic resources, there are websites dedicated to providing free PDFs of research papers and scientific articles. One such website is Academia.edu, which allows researchers and scholars to share their work with a global audience. Users can download PDF files of research papers, theses, and dissertations covering a wide range of subjects. Academia.edu also provides a platform for discussions and networking within the academic community. When it comes to downloading Chevrolet Spark Air Con Repair Manual free PDF files of magazines, brochures, and catalogs, Issuu is a popular choice. This digital publishing platform hosts a vast collection of publications from around the world. Users can search for specific titles or explore various categories and genres. Issuu offers a seamless reading experience with its user-friendly interface and allows users to download PDF files for offline reading. Apart from dedicated platforms, search engines also play a crucial role in finding free PDF files. Google, for instance, has an advanced search feature that allows users to filter results by file type. By specifying the file type as "PDF," users can find websites that offer free PDF downloads on a specific topic. While downloading Chevrolet Spark Air Con Repair Manual free PDF files is convenient, it's important to note that copyright laws must be respected. Always ensure that the PDF files you download are legally available for free. Many authors and publishers voluntarily provide free PDF versions of their work, but it's essential to be cautious and verify the authenticity of the source before downloading Chevrolet Spark Air Con Repair Manual. In conclusion, the internet offers numerous platforms and websites that allow users to download free PDF files legally. Whether it's classic literature, research papers, or magazines, there is something for everyone. The platforms mentioned in this article, such as Project Gutenberg, Open Library, Academia.edu, and Issuu, provide access to a vast collection of PDF files. However, users should always be cautious and verify the legality of the source before downloading Chevrolet Spark Air Con Repair Manual any PDF files. With these platforms, the world of PDF downloads is just a click away.

### **FAQs About Chevrolet Spark Air Con Repair Manual Books**

How do I know which eBook platform is the best for me? Finding the best eBook platform depends on your reading preferences and device compatibility. Research different platforms, read user reviews, and explore their features before

making a choice. Are free eBooks of good quality? Yes, many reputable platforms offer high-quality free eBooks, including classics and public domain works. However, make sure to verify the source to ensure the eBook credibility. Can I read eBooks without an eReader? Absolutely! Most eBook platforms offer webbased readers or mobile apps that allow you to read eBooks on your computer, tablet, or smartphone. How do I avoid digital eye strain while reading eBooks? To prevent digital eye strain, take regular breaks, adjust the font size and background color, and ensure proper lighting while reading eBooks. What the advantage of interactive eBooks? Interactive eBooks incorporate multimedia elements, quizzes, and activities, enhancing the reader engagement and providing a more immersive learning experience. Chevrolet Spark Air Con Repair Manual is one of the best book in our library for free trial. We provide copy of Chevrolet Spark Air Con Repair Manual in digital format, so the resources that you find are reliable. There are also many Ebooks of related with Chevrolet Spark Air Con Repair Manual. Where to download Chevrolet Spark Air Con Repair Manual online for free? Are you looking for Chevrolet Spark Air Con Repair Manual PDF? This is definitely going to save you time and cash in something you should think about. If you trying to find then search around for online. Without a doubt there are numerous these available and many of them have the freedom. However without doubt you receive whatever you purchase. An alternate way to get ideas is always to check another Chevrolet Spark Air Con Repair Manual. This method for see exactly what may be included and adopt these ideas to your book. This site will almost certainly help you save time and effort, money and stress. If you are looking for free books then you really should consider finding to assist you try this. Several of Chevrolet Spark Air Con Repair Manual are for sale to free while some are payable. If you arent sure if the books you would like to download works with for usage along with your computer, it is possible to download free trials. The free guides make it easy for someone to free access online library for download books to your device. You can get free download on free trial for lots of books categories. Our library is the biggest of these that have literally hundreds of thousands of different products categories represented. You will also see that there are specific sites catered to different product types or categories, brands or niches related with Chevrolet Spark Air Con Repair Manual. So depending on what exactly you are searching, you will be able to choose e books to suit your own need. Need to access completely for Campbell Biology Seventh Edition book? Access Ebook without any digging. And by having access to our ebook online or by storing it on your computer, you have convenient answers with Chevrolet Spark Air Con Repair Manual To get started finding Chevrolet Spark Air Con Repair Manual, you are right to find our website which has a comprehensive collection of books online. Our library is the biggest of these that have literally hundreds of thousands of different products represented. You will also see that there are specific sites catered to different categories or niches related with Chevrolet Spark Air Con Repair Manual So depending on what exactly you are searching, you will be able tochoose ebook to suit your own need. Thank you for reading Chevrolet Spark Air Con Repair Manual. Maybe you have knowledge that, people have search numerous times for their favorite readings like this Chevrolet Spark Air Con



Repair Manual, but end up in harmful downloads. Rather than reading a good book with a cup of coffee in the afternoon, instead they juggled with some harmful bugs inside their laptop. Chevrolet Spark Air Con Repair Manual is available in our book collection an online access to it is set as public so you can download it instantly. Our digital library spans in multiple locations, allowing you to get the most less latency time to download any of our books like this one. Merely said, Chevrolet Spark Air Con Repair Manual is universally compatible with any devices to read.

### **Find Chevrolet Spark Air Con Repair Manual :**

[e:\users\bejo\videos\tes\943K\\_Filtered\\_KWMixed\\_002444.txt](#)

[e:\users\bejo\videos\tes\kw\\_000136.txt](#)

**[c:\users\bejo\videos\tes\943K\\_Filtered\\_KWMixed\\_002446.txt](#)**

[e:\users\bejo\videos\tes\full1\\_001146.txt](#)

[c:\users\bejo\videos\tes\943K\\_Filtered\\_KWMixed\\_002621.txt](#)

[c:\users\bejo\videos\tes\full1\\_000050.txt](#)

**[c:\users\bejo\videos\tes\full1\\_001270.txt](#)**

[e:\users\bejo\videos\tes\full1\\_001383.txt](#)

[c:\users\bejo\videos\tes\kw\\_000260.txt](#)

**[c:\users\bejo\videos\tes\full1\\_000486.txt](#)**

[c:\users\bejo\videos\tes\943K\\_Filtered\\_KWMixed\\_002313.txt](#)

[c:\users\bejo\videos\tes\full1\\_001659.txt](#)

[c:\users\bejo\videos\tes\kw\\_000041.txt](#)

**[c:\users\bejo\videos\tes\full1\\_001520.txt](#)**

[c:\users\bejo\videos\tes\full1\\_001174.txt](#)

### **Chevrolet Spark Air Con Repair Manual :**

**4k wallpaper photos download the best free 4k wallpaper** - Jun 01 2022

web the wallpaper magazine semantic based visual information retrieval y word wallpaper downloaded from vpn

bethnalgreenventures com christine ibarra official gazette

*word y wallpapers free by zedge* - Nov 06 2022

web bing wallpaper includes a collection of beautiful images from around the world that have been featured on the bing

homepage not only will you see a new image on your

**100 word pictures download free images on unsplash** - Sep 04 2022

web download and use 70 000 4k wallpaper stock photos for free thousands of new images every day completely free to use high quality videos and images from pexels

**letter y wallpapers top free letter y backgrounds** - Jun 13 2023

web a collection of the top 7 letter y wallpapers and backgrounds available for download for free we hope you enjoy our growing collection of hd images to use as a background or

**150 word hd wallpapers and backgrounds** - Apr 11 2023

web download y word images download for desktop or mobile device make your device cooler and more beautiful

**100 letter y pictures wallpapers com** - May 12 2023

web download letter y pictures for any device and screen size high quality letter y pictures customize your desktop mobile phone and tablet with our wide variety of cool and

**explore the world one photo at a time bing wallpaper** - Jul 02 2022

web explore wallpapers phone wallpapers art images pfp 4k yoru valorant wallpapers infinite all resolutions 3840x2160 yoru valorant wallpaper 4k alterhouse 13 47 790

**microsoft word wallpapers wallpaper cave** - Nov 25 2021

*y word wallpaper vpn bethnalgreenventures com* - Feb 26 2022

web tons of awesome microsoft word wallpapers to download for free you can also upload and share your favorite microsoft word wallpapers hd wallpapers and background

376 305 word wallpaper images stock photos vectors - Jan 08 2023

web search free word y wallpapers on zedge and personalize your phone to suit you start your search now and free your phone

*50 word wallpaper wallpapersafari* - Apr 30 2022

web 6 hours ago shop the launch of hill house s sweater filled fall collection a collab for both parents and kids with lalo s paw patrol joint venture and new fall loafers from rothy s

**40 yoru valorant hd wallpapers and backgrounds** - Mar 30 2022

web a collection of the top 60 word wallpapers and backgrounds available for download for free we hope you enjoy our growing collection of hd images to use as a background or

*yoru valorant wallpapers wallpaper cave* - Oct 25 2021

**word wallpapers top free word backgrounds wallpaperaccess** - Dec 27 2021

**word wallpapers wallpaper cave** - Mar 10 2023

web find word wallpaper stock images in hd and millions of other royalty free stock photos illustrations and vectors in the shutterstock collection thousands of new high quality

*y word images download 750x1334 wallpaper teahub io* - Feb 09 2023

web download and use 70 000 words wallpaper stock photos for free thousands of new images every day completely free to use high quality videos and images from pexels

**100 letter y wallpapers wallpapers com** - Aug 15 2023

web y is for yolo embrace every moment with vibrant letter y wallpapers for your mobile or computer screens bold bright and beautiful these wallpapers will energize your

**explore the world one photo at a time bing wallpaper** - Aug 03 2022

web explore a curated collection of word wallpaper images for your desktop mobile and tablet screens we ve gathered more than 5 million images uploaded by our users and sorted

*y words images free download on freepik* - Jul 14 2023

web find download free graphic resources for y words 92 000 vectors stock photos psd files free for commercial use high quality images you can find download the

**270 word hd wallpapers and backgrounds** - Oct 05 2022

web download the bing wallpaper app run bingwallpaper exe click install now click finish if prompted from your browser add the extension explore the bing wallpaper app in the

words wallpaper photos download the best free words - Dec 07 2022

web download the perfect word pictures find over 100 of the best free word images free for commercial use no attribution required copyright free

*product releases this week glossier rothy s youth to the* - Jan 28 2022

web tons of awesome yoru valorant wallpapers to download for free you can also upload and share your favorite yoru valorant wallpapers hd wallpapers and background images

how to update php version robots net - Jun 30 2023

web sep 17 2023 to finalize the php update restart your local development environment this step ensures that the new php version is loaded and that your website runs using the updated php version with these steps you have successfully updated your php version locally test your website thoroughly to ensure everything works as expected

[php downloads](#) - Sep 02 2023

web windows downloads gpg keys for php 8 2 old stable php 8 1 25 changelog php 8 1 25 tar gz sig 19 355kb 26 oct 2023  
1a8c59d6b3eccb404c229e947558d2bf1220c3dec0b0036690fadc07f39934ab php 8 1 25 tar bz2 sig 15 221kb 26 oct 2023

**php mysql update data w3schools** - Feb 24 2023

web the update statement is used to update existing records in a table update table name set column1 value column2 value2  
where some column some value notice the where clause in the update syntax the where clause specifies which record or  
records that should be updated if you omit the where clause all records will be

[php php 8 0 0 release announcement](#) - May 30 2023

web php 8 0 is a major update of the php language it contains many new features and optimizations including named  
arguments union types attributes constructor property promotion match expression nullsafe operator jit and improvements in  
the type system error handling and consistency

**how to update your php version dreamhost** - Mar 28 2023

web may 6 2022 to update php click on change php to v8 1 if successful this section will indicate that your site is up to date  
although we strongly encourage you to test php version changes in a staging environment you can modify your php version  
on your live website

**get a faster more secure website update php today** - Apr 28 2023

web how to update your website s php version for a faster more secure website faster more secure wordpress websites for all  
your wordpress site can be faster and more secure and you can make this happen this page will explain why this matters to

**how to update php version sebastian** - Aug 01 2023

web jul 25 2022 this tutorial shows how you can update the php version installed on your computer update php using  
homebrew mac for mac computers you can update the php version installed on your computer using homebrew run the brew  
upgrade command from the terminal as shown below

**php releases** - Oct 03 2023

web aug 23 2011 php 8 1 24 tar xz sha256 ee61f6232bb29bd2e785daf325d2177f2272bf80d086c295a724594e710bce3d 8 2  
11

*introduzione al diritto privato wikiversità* - May 09 2023

web diritto privato lezione completa al 100 il diritto privato è quella branca del diritto che regola i rapporti tra singoli  
consociati cioè persone fisiche e persone giuridiche in relazione alla sfera patrimoniale ma anche personale e familiare È  
stato chiamato anche il diritto senza ulteriore definizione

**privato diritto nell enciclopedia treccani treccani** - Sep 13 2023

web privato diritto enciclopedie on line complesso delle norme che regolano i rapporti dei singoli fra di loro oppure fra essi e lo stato e gli altri enti pubblici qualora questi ultimi non esplicino funzioni di potere politico e sovrano fonte principale del diritto è il codice civile

**diritto privato luiss** - Nov 03 2022

web uno sguardo al diritto privato comparato i sistemi di civil law ed i sistemi di common law sessione 3 on campus diritto privato e territorio il diritto privato nazionale e la codificazione dei sistemi di diritto privato nazionale il diritto privato internazionale il diritto privato europeo le fonti

**diritto privato università degli studi di milano statale** - May 29 2022

web il corso fornisce una panoramica e un'analisi del diritto privato italiano in materia di persone giuridiche imprese e società diritto immobiliare diritto contrattuale diritto civile il corso si propone di fornire una preparazione istituzionale sulle norme che regolano i rapporti tra privati

**diritto privato a c 2020 2021 università di bologna** - Mar 07 2023

web l'acquisizione della conoscenza di base della struttura e degli istituti regolati dal codice civile attraverso lo studio della disciplina della proprietà delle successioni delle obbligazioni dei contratti e dei fatti illeciti

*diritto privato 6 ed 2018 unict* - Aug 12 2023

web il diritto privato nel sistema giuridico sommario 1 di cosa si occupa il diritto privato 2 la funzione del diritto privato interessi e conflitti 3 diritto oggettivo e diritti soggettivi 4 le norme giuridiche 5 l'applicazione delle norme giuridiche la fattispecie 6 l'interpretazione delle norme giuridiche 7

*la norma giuridica definizione precetti e norme altalex* - Apr 27 2022

web feb 12 2021 tipica articolazione interna al diritto privato è il diritto civile tuttavia vi fanno capo anche altre branche del diritto quali il diritto commerciale o il diritto del lavoro 6 1 2 1 le

**diritto privato d l 2021 2022 università di bologna** - Jan 05 2023

web falgano diritto privato padova nella edizione più aggiornata metodi didattici le lezioni saranno tenute in modalità frontale tuttavia in considerazione del perdurare dell'emergenza sanitaria legata alla diffusione del covid 19 si prega di consultare il seguente sito [dsg.unibo.it](http://dsg.unibo.it) didattica progetti e metodologie didattiche

**materia diritto privato wikiversity** - Jun 10 2023

web il diritto privato insieme al diritto pubblico è uno dei due pilastri del settore giuridico il diritto privato regola i rapporti intersoggettivi tra i singoli consociati persone fisiche e persone giuridiche in relazione alla sfera patrimoniale ma anche personale e familiare

**categoria diritto privato wikipedia** - Feb 06 2023

web questa categoria raccoglie tutte le voci attinenti al diritto privato ovverosia quella branca del diritto che regola i rapporti intersoggettivi tra i singoli consociati persone fisiche e persone giuridiche in relazione alla sfera patrimoniale ma anche personale e familiare

*translation of diritto privato in english reverso context* - Oct 02 2022

web translation of diritto privato in english queste prestazioni sono convenute in contratti di diritto privato the terms and conditions of such services shall be regulated by private law contracts desidero in particolare concentrarmi sulle questioni sollevate nella relazione segnatamente all'ulteriore armonizzazione del diritto privato

**schemi di diritto privato studiare diritto facile** - Sep 01 2022

web nov 24 2020 il diritto privato è l'insieme di norme che regolano i rapporti tra privati cittadini per capirci noi comuni mortali io te mia sorella il tuo vicino di casa oppure tra cittadini ed enti pubblici quando tali enti non esercitano il loro potere di comando per dirlo in modo più semplice tu quando cadi in bicicletta su una buca presente in

*diritto privato d k corsi di studio del dipartimento di* - Jun 29 2022

web il diritto privato caratteristiche funzioni principi il diritto privato e gli altri settori dell'ordinamento le fonti del sistema privatistico e la sua formazione storica le situazioni soggettive protette e le tecniche di tutela del diritto privato cenni al diritto internazionale privato e al diritto convenzionale uniforme

**diritto privato 2021 2022 università di bologna** - Apr 08 2023

web il diritto privato le fonti del diritto e l'interpretazione della legge le persone i beni e la proprietà il possesso i modi di acquisto della proprietà i diritti reali su cose altrui l'obbligazione l'adempimento e l'inadempimento il contratto validità e invalidità del contratto efficacia e inefficacia del contratto la rappresentanza

diritto privato a c 2022 2023 università di bologna - Dec 04 2022

web conoscenze e abilità da conseguire l'acquisizione della conoscenza di base della struttura e degli istituti regolati dal codice civile attraverso lo studio della disciplina della proprietà delle successioni delle obbligazioni dei contratti e dei fatti illeciti

**diritto privato e diritto civile qual è la differenza la legge per** - Jul 11 2023

web may 22 2018 nell'ambito del diritto privato vengono operate per comodità molteplici distinzioni tra le varie branche del diritto tra queste le più importanti sono il diritto commerciale che regola il commercio le aziende e le società il

diritto privato luiss - Mar 27 2022

web teorici e analitici diritto privato metodi concetti e misure la conoscenza approfondita delle tappe fondamentali del diritto privato italiano e dei meccanismi generatori ad esso sottostanti la comprensione critica della giurisprudenza italiana ed europea modalità di verifica dell'apprendimento

diritto privato wikipedia - Oct 14 2023

web le principali discipline in cui il diritto privato viene tradizionalmente suddiviso sono diritto civile diritto commerciale diritto del lavoro diritto agrario

**diritto privato l ordinamento giuridico skoola net** - Feb 23 2022

web il diritto privato è il complesso di norme e d istituzioni mediante cui è regolato e diretto lo svolgimento della vita sociale ed i rapporti tra i singoli individui un ordinamento giuridico si

**diritto nell enciclopedia treccani treccani treccani** - Jul 31 2022

web il diritto privato l insieme delle norme che regolano i rapporti fra gli individui oppure fra essi e gli enti pubblici qualora questi ultimi non esplicino funzioni di potere politico e sovrano costituisce il d privato