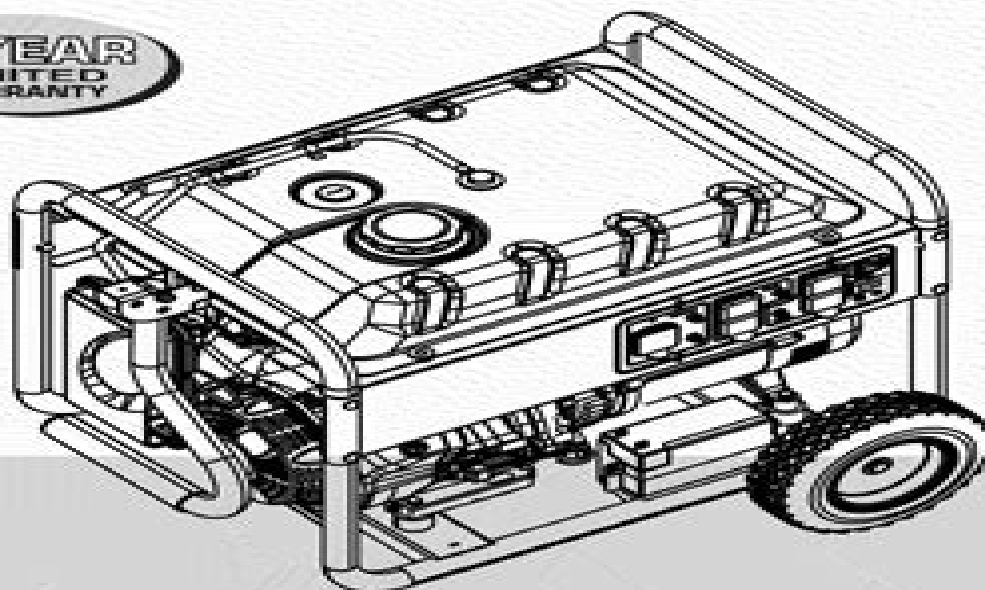


Owner's Manual

GP Series Portable Generator

**2 YEAR
LIMITED
WARRANTY**



▲ DANGER!

- ▲ DEADLY EXHAUST FUMES! ONLY use OUTSIDE far away from windows, doors and vents!**
- ▲ NOT INTENDED FOR USE IN CRITICAL LIFE SUPPORT APPLICATIONS.**
- ▲ SAVE this Manual. Provide this manual to any operator of the generator.**

Generac Gp6500e Owners Manual

Helming



Generac Gp6500e Owners Manual:

Generac Service and Repair Manual Generac Power Systems,1999 **2024 Genesis G80 Owner Manual**
Compatible with OEM Owners Manual, Factory Glovebox Book Helming,2024-06-23 *2023 Genesis GV80 Owner*
Manual Compatible with OEM Owners Manual, Factory Glovebox Book Helming,2023-01-06 2024 Genesis G70 Owner
Manual Compatible with OEM Owners Manual, Factory Glovebox Book Helming,2024-04-16 **2022 Genesis GV80 Owner**
Manual Compatible with OEM Owners Manual, Factory Glovebox Book Helming,2022-01-23 *2024 Genesis GV70*
Electrified Owner Manual Compatible with OEM Owners Manual, Factory Glovebox Book Helming,2024-02-13 **2020**
Genesis G70 Owner Manual Compatible with OEM Owners Manual, Factory Glovebox Book Helming,2020-01-23

Immerse yourself in heartwarming tales of love and emotion with Crafted by is touching creation, **Generac Gp6500e Owners Manual** . This emotionally charged ebook, available for download in a PDF format (*), is a celebration of love in all its forms. Download now and let the warmth of these stories envelop your heart.

https://www.portal.goodeyes.com/public/virtual-library/Documents/cie_igcse_english_paper_3_lesson_plans.pdf

Table of Contents Generac Gp6500e Owners Manual

1. Understanding the eBook Generac Gp6500e Owners Manual
 - The Rise of Digital Reading Generac Gp6500e Owners Manual
 - Advantages of eBooks Over Traditional Books
2. Identifying Generac Gp6500e Owners Manual
 - Exploring Different Genres
 - Considering Fiction vs. Non-Fiction
 - Determining Your Reading Goals
3. Choosing the Right eBook Platform
 - Popular eBook Platforms
 - Features to Look for in an Generac Gp6500e Owners Manual
 - User-Friendly Interface
4. Exploring eBook Recommendations from Generac Gp6500e Owners Manual
 - Personalized Recommendations
 - Generac Gp6500e Owners Manual User Reviews and Ratings
 - Generac Gp6500e Owners Manual and Bestseller Lists
5. Accessing Generac Gp6500e Owners Manual Free and Paid eBooks
 - Generac Gp6500e Owners Manual Public Domain eBooks
 - Generac Gp6500e Owners Manual eBook Subscription Services
 - Generac Gp6500e Owners Manual Budget-Friendly Options
6. Navigating Generac Gp6500e Owners Manual eBook Formats

- ePub, PDF, MOBI, and More
 - Generac Gp6500e Owners Manual Compatibility with Devices
 - Generac Gp6500e Owners Manual Enhanced eBook Features
7. Enhancing Your Reading Experience
 - Adjustable Fonts and Text Sizes of Generac Gp6500e Owners Manual
 - Highlighting and Note-Taking Generac Gp6500e Owners Manual
 - Interactive Elements Generac Gp6500e Owners Manual
 8. Staying Engaged with Generac Gp6500e Owners Manual
 - Joining Online Reading Communities
 - Participating in Virtual Book Clubs
 - Following Authors and Publishers Generac Gp6500e Owners Manual
 9. Balancing eBooks and Physical Books Generac Gp6500e Owners Manual
 - Benefits of a Digital Library
 - Creating a Diverse Reading Collection Generac Gp6500e Owners Manual
 10. Overcoming Reading Challenges
 - Dealing with Digital Eye Strain
 - Minimizing Distractions
 - Managing Screen Time
 11. Cultivating a Reading Routine Generac Gp6500e Owners Manual
 - Setting Reading Goals Generac Gp6500e Owners Manual
 - Carving Out Dedicated Reading Time
 12. Sourcing Reliable Information of Generac Gp6500e Owners Manual
 - Fact-Checking eBook Content of Generac Gp6500e Owners Manual
 - Distinguishing Credible Sources
 13. Promoting Lifelong Learning
 - Utilizing eBooks for Skill Development
 - Exploring Educational eBooks
 14. Embracing eBook Trends
 - Integration of Multimedia Elements
 - Interactive and Gamified eBooks

Generac Gp6500e Owners Manual Introduction

In this digital age, the convenience of accessing information at our fingertips has become a necessity. Whether its research papers, eBooks, or user manuals, PDF files have become the preferred format for sharing and reading documents. However, the cost associated with purchasing PDF files can sometimes be a barrier for many individuals and organizations. Thankfully, there are numerous websites and platforms that allow users to download free PDF files legally. In this article, we will explore some of the best platforms to download free PDFs. One of the most popular platforms to download free PDF files is Project Gutenberg. This online library offers over 60,000 free eBooks that are in the public domain. From classic literature to historical documents, Project Gutenberg provides a wide range of PDF files that can be downloaded and enjoyed on various devices. The website is user-friendly and allows users to search for specific titles or browse through different categories. Another reliable platform for downloading Generac Gp6500e Owners Manual free PDF files is Open Library. With its vast collection of over 1 million eBooks, Open Library has something for every reader. The website offers a seamless experience by providing options to borrow or download PDF files. Users simply need to create a free account to access this treasure trove of knowledge. Open Library also allows users to contribute by uploading and sharing their own PDF files, making it a collaborative platform for book enthusiasts. For those interested in academic resources, there are websites dedicated to providing free PDFs of research papers and scientific articles. One such website is Academia.edu, which allows researchers and scholars to share their work with a global audience. Users can download PDF files of research papers, theses, and dissertations covering a wide range of subjects. Academia.edu also provides a platform for discussions and networking within the academic community. When it comes to downloading Generac Gp6500e Owners Manual free PDF files of magazines, brochures, and catalogs, Issuu is a popular choice. This digital publishing platform hosts a vast collection of publications from around the world. Users can search for specific titles or explore various categories and genres. Issuu offers a seamless reading experience with its user-friendly interface and allows users to download PDF files for offline reading. Apart from dedicated platforms, search engines also play a crucial role in finding free PDF files. Google, for instance, has an advanced search feature that allows users to filter results by file type. By specifying the file type as "PDF," users can find websites that offer free PDF downloads on a specific topic. While downloading Generac Gp6500e Owners Manual free PDF files is convenient, its important to note that copyright laws must be respected. Always ensure that the PDF files you download are legally available for free. Many authors and publishers voluntarily provide free PDF versions of their work, but its essential to be cautious and verify the authenticity of the source before downloading Generac Gp6500e Owners Manual. In conclusion, the internet offers numerous platforms and websites that allow users to download free PDF files legally. Whether its classic literature, research papers, or magazines, there is something for everyone. The platforms mentioned in this article, such as Project Gutenberg, Open Library, Academia.edu, and Issuu, provide access to a vast collection of PDF files. However, users

should always be cautious and verify the legality of the source before downloading Generac Gp6500e Owners Manual any PDF files. With these platforms, the world of PDF downloads is just a click away.

FAQs About Generac Gp6500e Owners Manual Books

How do I know which eBook platform is the best for me? Finding the best eBook platform depends on your reading preferences and device compatibility. Research different platforms, read user reviews, and explore their features before making a choice. Are free eBooks of good quality? Yes, many reputable platforms offer high-quality free eBooks, including classics and public domain works. However, make sure to verify the source to ensure the eBook credibility. Can I read eBooks without an eReader? Absolutely! Most eBook platforms offer web-based readers or mobile apps that allow you to read eBooks on your computer, tablet, or smartphone. How do I avoid digital eye strain while reading eBooks? To prevent digital eye strain, take regular breaks, adjust the font size and background color, and ensure proper lighting while reading eBooks. What the advantage of interactive eBooks? Interactive eBooks incorporate multimedia elements, quizzes, and activities, enhancing the reader engagement and providing a more immersive learning experience. Generac Gp6500e Owners Manual is one of the best book in our library for free trial. We provide copy of Generac Gp6500e Owners Manual in digital format, so the resources that you find are reliable. There are also many Ebooks of related with Generac Gp6500e Owners Manual. Where to download Generac Gp6500e Owners Manual online for free? Are you looking for Generac Gp6500e Owners Manual PDF? This is definitely going to save you time and cash in something you should think about.

Find Generac Gp6500e Owners Manual :

cie igcse english paper 3 lesson plans

cisco 7942 quick user guide

[ciria suds design manual](#)

ciba collection of medical illustrations volume 4 endocrine system and selected metabolic diseases

[cisco accessing wan instructor packet tracer manual](#)

ciaphas cain hero of the imperium

cibse urban lighting guide

[cien libros chilenos ebook find fast](#)

[ciptasonic jaya musik mangga dua](#)

[circuit analysis for power engineering handbook](#)

[circe a play in three acts](#)

[circles geometry unit 11 lesson 1 key](#)

[circle geometry questions hsc](#)

[cissp exam prep questions answers & explanations 1000 cissp practice questions with detailed solutions](#)

[circles curriculum teachers kit for the stem novel circle](#)

Generac Gp6500e Owners Manual :

[amanda s review of just his luck goodreads - Jun 24 2022](#)

[web aug 26 2019 3 5 5 i received a digital arc for an honest review just his luck is the third book in the sterling s montana series by b j daniels if this is your first book in the](#)

[just his luck sterling s montana 3 amazon com - Aug 07 2023](#)

[web aug 27 2019 determined to move on with his life and take a chance with lizzy he s all in until a car is dredged up from a local pond and ariel s remains are found inside as](#)

[sterling s montana series by b j daniels goodreads - Jun 05 2023](#)

[web by b j daniels 3 82 11 ratings published 2019 2 editions new york times and usa today bestselling author b want to read rate it stroke of luck sterling s](#)

[epub just his luck sterling s montana book 3 studocu - Dec 19 2021](#)

[web just his luck sterling 039 s montana book 3 description he thought the past was finally behind himshade sterling has carried a torch for lizzy conners since senior year](#)

[editions of just his luck by b j daniels goodreads - Oct 29 2022](#)

[web editions for just his luck kindle edition published in 2019 1335016813 mass market paperback published in 2019 1489296972 ebook published in 2019 home my books](#)

[just his luck sterling s montana series 3 paperback - Sep 27 2022](#)

[web aug 27 2019 shade sterling has carried a torch for lizzy conners since senior year of high school but the timing never felt right for them especially since his ex girlfriend](#)

[just his luck the sterling s montana series book 3 sterling s - Jul 06 2023](#)

[web just his luck the sterling s montana series book 3 sterling s montana series 3 by b j daniels isbn 10 1982645776 isbn 13 9781982645779 harlequin audio and](#)

[just his luck the sterling s montana series book 3 - Jul 26 2022](#)

web just his luck the sterling s montana series book 3 b j daniels amazon com au books

just his luck sterling s montana book 3 audio download b j - May 24 2022

web just his luck sterling s montana book 3 audio download b j daniels todd mclaren harperaudio amazon com au books

just his luck sterling s montana book 3 kindle edition - Apr 03 2023

web just his luck sterling s montana book 3 ebook daniels b j amazon ca kindle store

just his luck sterling s montana book 3 by b j daniels - Apr 22 2022

web shade sterling has carried a torch for lizzy conners since senior year of high school but the timing never felt right for them especially since his ex girlfriend ariel disappeared

just his luck sterling s montana 3 softcover abebooks - Feb 01 2023

web isbn 13 9781335016812 just his luck sterling s montana 3 daniels b j 4 25 avg rating 420 ratings by goodreads softcover isbn 10 1335016813 isbn 13

just his luck sterling s montana book 3 kindle edition - Nov 29 2022

web just his luck sterling s montana book 3 ebook daniels b j amazon co uk kindle store

just his luck sterling s montana book 3 kindle edition - Oct 09 2023

web aug 27 2019 just his luck sterling s montana book 3 kindle edition by daniels b j romance kindle ebooks amazon com kindle store kindle ebooks romance buy

just his luck sterling s montana 3 by b j daniels goodreads - Sep 08 2023

web aug 27 2019 shade sterling has carried a torch for lizzy conners since senior year of high school but the timing never felt right for them especially since his ex girlfriend

just his luck sterling s montana 3 by b j daniels booktopia - Aug 27 2022

web aug 27 2019 booktopia has just his luck sterling s montana 3 by b j daniels buy a discounted paperback of just his luck online from australia s leading online bookstore

just his luck sterling s montana 3 daniels b j amazon com tr - May 04 2023

web just his luck sterling s montana 3 daniels b j amazon com tr Çerez tercihlerinizi seçin alışveriş deneyiminizi geliştirmek hizmetlerimizi sunmak müşterilerin

just his luck by b j daniels audiobook audible com - Feb 18 2022

web sterling s montana by b j daniels narrated by todd mclaren length 10 hrs and 11 mins 4 3 58 ratings try for 0 00 prime member exclusive pick 2 free titles with trial

just his luck sterling s montana 3 zaudiobooks com - Jan 20 2022

web nov 18 2022 yes we have alot of good audiobooks for free content for just his luck sterling s montana 3 audio20221101

[just his luck by b j daniels audiobook audible com](#) - Mar 22 2022

web just his luck sterling s montana book 3 by b j daniels narrated by todd mclaren length 10 hrs and 11 mins

[just his luck 3 sterling s montana softcover abebooks](#) - Mar 02 2023

web determined to move on with his life and take a chance with lizzy he s all in until a car is dredged up from a local pond and ariel s remains are found inside as the newly

just his luck sterling s montana book 3 kindle edition - Dec 31 2022

web just his luck sterling s montana book 3 ebook daniels b j amazon com au kindle store

[download ebook the collected songs of cold mountain han](#) - Nov 05 2022

web sep 3 2023 the collected songs of cold mountain han shan is available in our book collection an online access to it is set as public so you can download it instantly our

volume ii song 200 page 208 the winter it is past scanned - May 31 2022

web title volume ii song 200 page 208 the winter it is past scanned from the 1853 edition of the scots musical museum james johnson and robert burns he enlisted robert

welcome to our crossover watch night service dec 31 2021 - Oct 24 2021

web dec 31 2021 life line church of god 2 bending close kingston 8 senior pastor pastor leroy wilson and missionary deloris wilson disclaimer we don t own

[cold mountain 2003 soundtracks imdb](#) - Jun 12 2023

web cold mountain edit you will be my ain true love 2003 written and composed by sting arranged by sting and dave hartley performed by alison krauss alison krauss

daniel parker was an a traveling salesman who would become - Dec 26 2021

web daniel parker was an a traveling salesman who would become an advocate for abolition and education his family would found the first co educational

loading interface goodreads - Dec 06 2022

web discover and share books you love on goodreads

the county library - Sep 03 2022

web words music of cold mountain streaming video 1 words pictures dvd 1 words and music 2 dvd 1 music cd 1 the words and music of taylor swift 1 words

[the county library](#) - Jul 01 2022

web cold mountain fund series 1 cold mountain motion picture streaming video 1 cold mountain path the ghost town decades of mccarthy kennecott alaska 1938 1983 1

[the collected songs of cold mountain paperback](#) - Apr 10 2023

web jun 11 2000 the collected songs of cold mountain is a considerable performance and a truly valuable book thanks to copper canyon s high standards of bookmaking it is

coldplay discography wikipedia - Jan 27 2022

web from wikipedia the free encyclopedia have released nine compilation albums extended plays promotional singles and four charity singles

the collected songs of cold mountain paperback - Jul 13 2023

web jul 13 2000 buy the collected songs of cold mountain revised and expanded ed by mountain han shan cold isbn 9781556591402 from amazon s book store

collected songs of cold mountain by red pine - May 11 2023

web sep 7 2023 7 21 4 49 shipping the collected songs of cold mountain mandarin english vg 88 00 3 92 shipping have one to sell sell now

roblox pilgrammed cold mountains music doovi - Oct 04 2022

web this song is not mine all rights go to the pilgrammed developers link to the song on soundcloud songs original name cold mountains made by averyden my discord

collected songs of cold mountain by red pine - Sep 22 2021

web aug 11 2023 have one to sell sell now collected songs of cold mountain by red pine excellent condition excellent condition quick free delivery in 2 14 days

[hbcrome live by hbc rome facebook at the stake and](#) - Apr 29 2022

web hbcrome live by hbc rome facebook at the stake and they burned hbcrome live

[the collected songs of cold mountain english edit pdf free](#) - Jan 07 2023

web title the collected songs of cold mountain english edit pdf free status restek wwu edu created date 9 14 2023 7 20 38 am

appalachian mountains wikipedia - Nov 24 2021

web the appalachian mountains often called the appalachians are a mountain range in eastern to northeastern north america here the term appalachian refers to several

the collected songs of cold mountain by cold mountain han - Feb 08 2023

web the collected songs of cold mountain is a considerable performance and a truly valuable book thanks to copper canyon s high standards of bookmaking it is beautiful to hold

cold mountain collections archive of our own - Aug 02 2022

web an archive of our own a project of the organization for transformative works

center for the arts winter songs koliada and music from the - Mar 29 2022

web dec 2 2015 posters collected over time showing the various events and activities happening around campus 10 linear feet 7 flat oversize hollinger boxes and 3

out cold 2001 film wikipedia - Feb 25 2022

web out cold is a 2001 american comedy film directed by the music video sibling directing team the malloys brendan and emmett malloy starring jason london willie garson and

the collected songs of cold mountain mandarin chinese and - Mar 09 2023

web find many great new used options and get the best deals for the collected songs of cold mountain mandarin chinese and english edition col at the best online prices at

the collected songs of cold mountain apple books - Aug 14 2023

web jun 1 2000 this authoritative bilingual edition represents the first time the entirety of cold mountain s poetry has been translated into english these translations were originally

muffin 365 enjoy 365 days with amazing muffin recipes in your - Mar 30 2022

web muffin 365 enjoy 365 days with amazing muffin recipes in your own muffin cookbook mini muffin cookbook muffin pan cookbook mini muffin recipe book egg muffin recipe book 1 ebook kim emma amazon co uk kindle store

muffin 365 enjoy 365 days with amazing muffin recipes in your - May 12 2023

web buy muffin 365 enjoy 365 days with amazing muffin recipes in your own muffin cookbook book 1 by kim emma online on amazon ae at best prices fast and free shipping free returns cash on delivery available on eligible purchase

english muffin nosalty - Jun 01 2022

web oct 1 2010 english muffin recept képpel hozzávalók és az elkészítés részletes leírása a english muffin elkészítési ideje 23 perc

muffin 365 enjoy 365 days with amazing muffin recipes in - Jan 08 2023

web buy muffin 365 enjoy 365 days with amazing muffin recipes in your own muffin cookbook book 1 by emma kim online at alibris we have new and used copies available in 1 editions starting at 12 07 shop now

tureng muffin türkçe İngilizce sözlük - Nov 06 2022

web yuvarlak ve tuzlu bir ekmek türü 2 genel blueberry muffin i yabanmersinli kek 3 genel muffin man uk i eskiden seyyar kek satıcısı

Ütös reggeli buci english muffin recept street kitchen - Sep 04 2022

web nov 3 2017 english muffin ha tetszett az english muffin receptje csekkoljátok a videóinkat exkluzív tartalmakért pedig lájkoljátok minket a facebookon és kövessetek minket az instagramon angol muffin english muffin muffin reggeli sós muffin

muffin 365 enjoy 365 days with amazing muffin recipes in your - Jul 14 2023

web nov 21 2018 muffin 365 enjoy 365 days with amazing muffin recipes in your own muffin cookbook mini muffin cookbook muffin pan cookbook mini muffin recipe book egg muffin recipe book 1 kindle edition by kim emma download it once and read it on your kindle device pc phones or tablets

muffin 365 enjoy 365 days with amazing muffin rec pdf - Aug 03 2022

web aug 20 2023 muffin 365 enjoy 365 days with amazing muffin rec 2 13 downloaded from uniport edu ng on august 20 2023 by guest price sale 80 off 5 99 0 99 read this book for free on the kindle unlimited now download free ebook pdf

included illustrations of 365 recipes right after conclusion why do i call it is a

[muffin 365 enjoy 365 days with amazing muffin rec mitch pirtle](#) - Jul 02 2022

web to download any of our books later this one merely said the muffin 365 enjoy 365 days with amazing muffin rec is universally compatible gone any devices to read true girl mom daughter devos dannah gresh 2019 08 02 want help talking to your tween about modesty tweens aren t meant to grapple with modesty and body image issues alone

muffin 365 enjoy 365 days with amazing muffin recipes in your - Dec 07 2022

web achetez et téléchargez ebook muffin 365 enjoy 365 days with amazing muffin recipes in your own muffin cookbook mini muffin cookbook muffin pan cookbook mini muffin recipe book egg muffin recipe book 1 english edition boutique kindle english scottish welsh amazon fr

99 egyszerű és finom reggeli muffin recept cookpad receptek - Oct 05 2022

web reggeli rántotta muffin formában készítve étolaj a muffin forma kikenéséhez sz sonka karika kalifornia vagy kápia paprika tojás reszelt sajt só ízlés szerint örölt fekete bors ízlés szerint 20 perc 2 fő sziszi kililtott

muffin 365 enjoy 365 days with amazing muffin rec - Mar 10 2023

web muffin 365 enjoy 365 days with amazing muffin rec muffin cookbook apr 24 2022 what is more interesting than waking up to some hot moist delicious muffin the wonderful aroma permeating your home and the neighborhood there is a favorite flavor for everyone some enjoy chocolate some blueberry but my favorite is coconut crumb topping muffin

amazon com customer reviews muffin 365 enjoy 365 days with amazing - Feb 09 2023

web find helpful customer reviews and review ratings for muffin 365 enjoy 365 days with amazing muffin recipes in your own muffin cookbook book 1 at amazon com read honest and unbiased product reviews from our users

[muffin 365 enjoy 365 days with amazing muffin recipes in your](#) - Jun 13 2023

web muffin 365 enjoy 365 days with amazing muffin recipes in your own muffin cookbook book 1 kim emma amazon sg books

muffin 365 enjoy 365 days with amazing muffin recipes in your - Apr 11 2023

web buy muffin 365 enjoy 365 days with amazing muffin recipes in your own muffin cookbook book 1 illustrated by kim

emma isbn 9781790197774 from amazon s book store everyday low prices and free delivery on eligible orders

muffin 365 enjoy 365 days with amazing muffin recipes in your - Aug 15 2023

web nov 22 2018 muffin 365 enjoy 365 days with amazing muffin recipes in your own muffin cookbook book 1 kim emma on amazon com free shipping on qualifying offers book 1

muffin on tumblr - Apr 30 2022

web see a recent post on tumblr from channydraws about muffin discover more posts about egg bananas applesauce pancake butter cinnamon and muffin