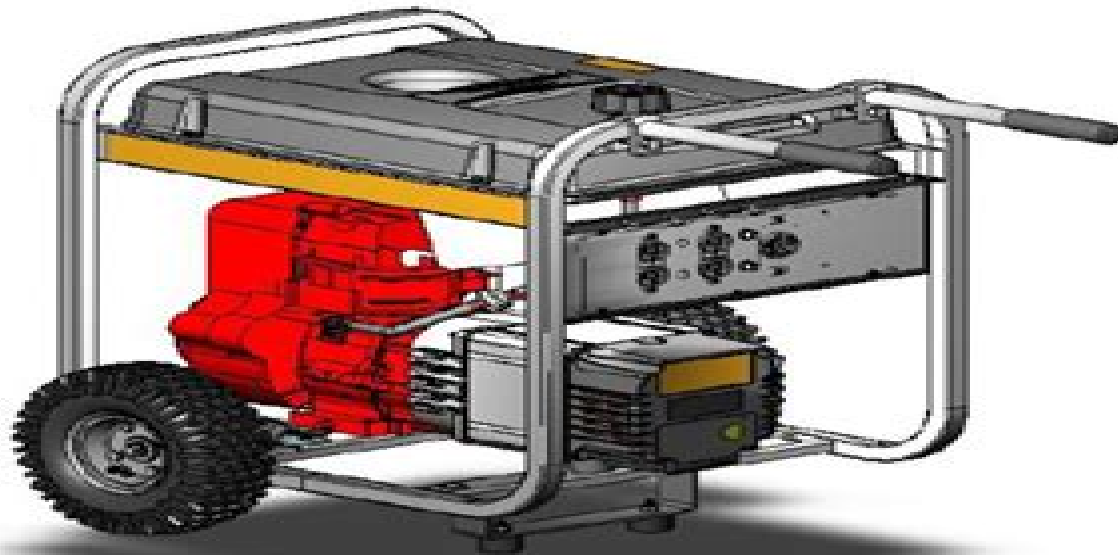


PMA525500

Insert
Additif
Adición

Coleman  **Powermate**®

**ELECTRIC GENERATOR
GROUPE ELECTROGENE
GENERADOR ELECTRICO**



IMPORTANT – Please make certain that persons who are to use this equipment thoroughly read and understand these instructions and any additional instructions provided prior to operation.

IMPORTANT - Prière de vous assurer que les personnes destinées à utiliser cet appareil ont pris soin d'en lire et d'en comprendre le mode d'emploi ou les directives avant de le mettre en marche.

IMPORTANTE. Asegúrese que las personas que utilizarán este equipo lean y entiendan completamente estas instrucciones y cualquier instrucción adicional proporcionada antes del funcionamiento.

Coleman Powermate 5500 Manual

J Rink



Coleman Powermate 5500 Manual:

Public Works Manual ,1991 *Consumers Digest* ,2001 *2005 Thomas Register* ,2005 Farmers and Consumers
Market Bulletin ,2010

Fuel your quest for knowledge with Learn from is thought-provoking masterpiece, Explore **Coleman Powermate 5500 Manual** . This educational ebook, conveniently sized in PDF (PDF Size: *), is a gateway to personal growth and intellectual stimulation. Immerse yourself in the enriching content curated to cater to every eager mind. Download now and embark on a learning journey that promises to expand your horizons. .

https://www.portal.goodeyes.com/files/virtual-library/Download_PDFS/Como_Continues_Asi_Te_Arrepentiras.pdf

Table of Contents Coleman Powermate 5500 Manual

1. Understanding the eBook Coleman Powermate 5500 Manual
 - The Rise of Digital Reading Coleman Powermate 5500 Manual
 - Advantages of eBooks Over Traditional Books
2. Identifying Coleman Powermate 5500 Manual
 - Exploring Different Genres
 - Considering Fiction vs. Non-Fiction
 - Determining Your Reading Goals
3. Choosing the Right eBook Platform
 - Popular eBook Platforms
 - Features to Look for in an Coleman Powermate 5500 Manual
 - User-Friendly Interface
4. Exploring eBook Recommendations from Coleman Powermate 5500 Manual
 - Personalized Recommendations
 - Coleman Powermate 5500 Manual User Reviews and Ratings
 - Coleman Powermate 5500 Manual and Bestseller Lists
5. Accessing Coleman Powermate 5500 Manual Free and Paid eBooks
 - Coleman Powermate 5500 Manual Public Domain eBooks
 - Coleman Powermate 5500 Manual eBook Subscription Services
 - Coleman Powermate 5500 Manual Budget-Friendly Options

6. Navigating Coleman Powermate 5500 Manual eBook Formats
 - ePub, PDF, MOBI, and More
 - Coleman Powermate 5500 Manual Compatibility with Devices
 - Coleman Powermate 5500 Manual Enhanced eBook Features
7. Enhancing Your Reading Experience
 - Adjustable Fonts and Text Sizes of Coleman Powermate 5500 Manual
 - Highlighting and Note-Taking Coleman Powermate 5500 Manual
 - Interactive Elements Coleman Powermate 5500 Manual
8. Staying Engaged with Coleman Powermate 5500 Manual
 - Joining Online Reading Communities
 - Participating in Virtual Book Clubs
 - Following Authors and Publishers Coleman Powermate 5500 Manual
9. Balancing eBooks and Physical Books Coleman Powermate 5500 Manual
 - Benefits of a Digital Library
 - Creating a Diverse Reading Collection Coleman Powermate 5500 Manual
10. Overcoming Reading Challenges
 - Dealing with Digital Eye Strain
 - Minimizing Distractions
 - Managing Screen Time
11. Cultivating a Reading Routine Coleman Powermate 5500 Manual
 - Setting Reading Goals Coleman Powermate 5500 Manual
 - Carving Out Dedicated Reading Time
12. Sourcing Reliable Information of Coleman Powermate 5500 Manual
 - Fact-Checking eBook Content of Coleman Powermate 5500 Manual
 - Distinguishing Credible Sources
13. Promoting Lifelong Learning
 - Utilizing eBooks for Skill Development
 - Exploring Educational eBooks
14. Embracing eBook Trends
 - Integration of Multimedia Elements

- Interactive and Gamified eBooks

Coleman Powermate 5500 Manual Introduction

Free PDF Books and Manuals for Download: Unlocking Knowledge at Your Fingertips In today's fast-paced digital age, obtaining valuable knowledge has become easier than ever. Thanks to the internet, a vast array of books and manuals are now available for free download in PDF format. Whether you are a student, professional, or simply an avid reader, this treasure trove of downloadable resources offers a wealth of information, conveniently accessible anytime, anywhere. The advent of online libraries and platforms dedicated to sharing knowledge has revolutionized the way we consume information. No longer confined to physical libraries or bookstores, readers can now access an extensive collection of digital books and manuals with just a few clicks. These resources, available in PDF, Microsoft Word, and PowerPoint formats, cater to a wide range of interests, including literature, technology, science, history, and much more. One notable platform where you can explore and download free Coleman Powermate 5500 Manual PDF books and manuals is the internet's largest free library. Hosted online, this catalog compiles a vast assortment of documents, making it a veritable goldmine of knowledge. With its easy-to-use website interface and customizable PDF generator, this platform offers a user-friendly experience, allowing individuals to effortlessly navigate and access the information they seek. The availability of free PDF books and manuals on this platform demonstrates its commitment to democratizing education and empowering individuals with the tools needed to succeed in their chosen fields. It allows anyone, regardless of their background or financial limitations, to expand their horizons and gain insights from experts in various disciplines. One of the most significant advantages of downloading PDF books and manuals lies in their portability. Unlike physical copies, digital books can be stored and carried on a single device, such as a tablet or smartphone, saving valuable space and weight. This convenience makes it possible for readers to have their entire library at their fingertips, whether they are commuting, traveling, or simply enjoying a lazy afternoon at home. Additionally, digital files are easily searchable, enabling readers to locate specific information within seconds. With a few keystrokes, users can search for keywords, topics, or phrases, making research and finding relevant information a breeze. This efficiency saves time and effort, streamlining the learning process and allowing individuals to focus on extracting the information they need. Furthermore, the availability of free PDF books and manuals fosters a culture of continuous learning. By removing financial barriers, more people can access educational resources and pursue lifelong learning, contributing to personal growth and professional development. This democratization of knowledge promotes intellectual curiosity and empowers individuals to become lifelong learners, promoting progress and innovation in various fields. It is worth noting that while accessing free Coleman Powermate 5500 Manual PDF books and manuals is convenient and cost-effective, it is vital to respect copyright laws and intellectual property rights. Platforms offering free downloads often operate within legal

boundaries, ensuring that the materials they provide are either in the public domain or authorized for distribution. By adhering to copyright laws, users can enjoy the benefits of free access to knowledge while supporting the authors and publishers who make these resources available. In conclusion, the availability of Coleman Powermate 5500 Manual free PDF books and manuals for download has revolutionized the way we access and consume knowledge. With just a few clicks, individuals can explore a vast collection of resources across different disciplines, all free of charge. This accessibility empowers individuals to become lifelong learners, contributing to personal growth, professional development, and the advancement of society as a whole. So why not unlock a world of knowledge today? Start exploring the vast sea of free PDF books and manuals waiting to be discovered right at your fingertips.

FAQs About Coleman Powermate 5500 Manual Books

How do I know which eBook platform is the best for me? Finding the best eBook platform depends on your reading preferences and device compatibility. Research different platforms, read user reviews, and explore their features before making a choice. Are free eBooks of good quality? Yes, many reputable platforms offer high-quality free eBooks, including classics and public domain works. However, make sure to verify the source to ensure the eBook credibility. Can I read eBooks without an eReader? Absolutely! Most eBook platforms offer web-based readers or mobile apps that allow you to read eBooks on your computer, tablet, or smartphone. How do I avoid digital eye strain while reading eBooks? To prevent digital eye strain, take regular breaks, adjust the font size and background color, and ensure proper lighting while reading eBooks. What the advantage of interactive eBooks? Interactive eBooks incorporate multimedia elements, quizzes, and activities, enhancing the reader engagement and providing a more immersive learning experience. Coleman Powermate 5500 Manual is one of the best book in our library for free trial. We provide copy of Coleman Powermate 5500 Manual in digital format, so the resources that you find are reliable. There are also many Ebooks of related with Coleman Powermate 5500 Manual. Where to download Coleman Powermate 5500 Manual online for free? Are you looking for Coleman Powermate 5500 Manual PDF? This is definitely going to save you time and cash in something you should think about.

Find Coleman Powermate 5500 Manual :

~~como continues asi te arrepentiras~~

compaq t60m099 manual

comp air leroi 185 manual

compendio portavoz de teologia spanish edition

~~compaq r6000 manual~~

~~comparing political corruption and clientelism~~

community 101 reclaiming the local church as community of oneness

~~compilers principles techniques and tools solutions manual 2nd edition~~

competition car composites a practical handbook

~~compare and contrast two fables~~

~~compaq dl380 g5 manual~~

~~company accounting solutions manual leo~~

~~communication and conflict resolution a biblical perspective~~

~~community policing and peacekeeping author peter grabosky jul 2009~~

~~comparing religions coming to terms~~

Coleman Powermate 5500 Manual :

free oklahoma quit claim deed form pdf word - Sep 03 2023

web to have and to hold the above described premises unto the said parties of the second part and to the heirs and assigns of the survivor forever so that neither the said part

quit claim deed grady county oklahoma - Oct 12 2021

oklahoma quitclaim deed eforms - Mar 29 2023

web to write an oklahoma quit claim deed form you will need to provide the following information preparer s name and address name and mailing address of the person to

oklahoma quitclaim deed form formspal - Apr 17 2022

web at the present time deed means every deed that would include every conveyance of real property and minerals in every form regardless of the type of transaction whether

oklahoma quitclaim deed eforms - Aug 22 2022

web apr 27 2023 an oklahoma real estate owner transfers title to a new owner by executing and recording a signed written deed 1 an oklahoma quitclaim deed form is a type of

oklahoma quit claim deed forms deeds com - May 31 2023

web quitclaim deed state of oklahoma please use the space below for the county recorder s office this instrument was

prepared by name

oklahoma quit claim deed templates pdf docx formswift - Oct 24 2022

web an oklahoma quit claim deed is a legal document used when an owner of real property called the grantor or seller needs to transfer interest in the real property to another

oklahoma quit claim deed form deed forms deed forms - Jan 15 2022

oklahoma quitclaim deed form get a customized deed online - Mar 17 2022

web claim and demand both at law and in equity in and to all of the following described property situate in grady county state of oklahoma to wit together with all and singular the

oklahoma statutes 16 41 2021 form of quitclaim deed - Feb 25 2023

web individuals and entities can use an oklahoma quitclaim deed if they would like to convey real property without implying a warranty of title ensure your deed is made in

woods county quit claim deed forms oklahoma deeds com - Dec 14 2021

quit claim deed oklahoma county oklahoma - Apr 29 2023

web jul 11 2022 oklahoma quit claim deed form fill now click to fill edit and sign this form now updated on july 11th 2022 an oklahoma quit claim deed is a legal form in

oklahoma quit claim deed pdf fill out sign online dochub - Feb 13 2022

oklahoma quit claim deed form - Jun 19 2022

web the oklahoma quit claim deed is how to write step 1 oklahoma quit claim deed form 2023 deedforms org deedforms org

free oklahoma quitclaim deed form pdf word - Aug 02 2023

web oklahoma quitclaim deed state of oklahoma county of know all men by these presents that for and in consideration of the sum of us dollars in hand paid to

oklahoma quit claim deed free quit claim deed form - May 19 2022

web download woods county oklahoma quit claim deed forms available for immediate download from deeds com

alien ownership of land oag ok gov - Nov 12 2021

quitclaim deed form oklahoma templatroller - Sep 22 2022

web jul 21 2022 how to fill out and file a quitclaim deed in oklahoma there is a crucial point you need to know about the

form it is commonly used if the property is given to

free oklahoma quit claim deed form pdf esign - Dec 26 2022

web microsoft word oklahoma quit claim deed form docx created date 20160621140321z

free oklahoma quit claim deed form pdf word - Oct 04 2023

web ðĪ à á þÿ þÿÿÿ

oklahoma s official web site - Jul 01 2023

web form of quitclaim deed universal citation 16 ok stat 16 41 2021 a quitclaim deed to real estate may be substantially the same as a warranty deed with the word quitclaim

oklahoma deed forms eforms - Nov 24 2022

web oklahoma quit claim deed name of deed registry location with original description in book and page and being bounded and described as

state of oklahoma legal templates - Jan 27 2023

web oklahoma quitclaim deed state of oklahoma address the grantor or grantors does do hereby remise release and forever quit claim to grantee

oklahoma quit claim deed form - Jul 21 2022

web an oklahoma quit claim deed is a form that a person who owns a piece of property in oklahoma can use to sell an interest in the property to another person oklahoma

new detroit dd13 gen 5 engine adds enhancements for - Apr 07 2022

web portland ore may 26 2020 enhancements to the industry leading detroit dd15 engine and an expanded lineup of the popular detroit dt12 automated manual

detroit engines demand detroit - Oct 13 2022

web demanddetroit com the detroit tm powertrain integrates the most fuel efficient detroittm engines ever with the technologically advanced dt12 tm transmission and

detroit innovation diesel technology demand detroit - Feb 05 2022

integrated detroit powertrain demand detroit - Aug 23 2023

web new axles designed for fuel economy to provide optimum efficiency and performance the detroit powertrain includes an all new axle specifically designed to integrate with the

detroit dd15 gen 5 diesel engine sae international - Apr 19 2023

web apr 20 2017 this impressive engine delivers incredible torque response and power increased fuel economy extremely

wide torque range extended maintenance intervals

[the detroit dd15 engine](#) - Feb 17 2023

web aug 11 2020 from 400 505 horsepower from 1550 1750 lb ft torque displacement 14 8 liters efficiency has evolved the detroit dd15

brochures and videos demand detroit - May 08 2022

web apr 13 2022 the dd15 kicked off the dd engine lineup with a completely reimagined engine fuel air and aftertreatment system design with even better fuel economy

dd15 engine from detroit diesel corporation detroit - Dec 03 2021

[detroit introduces new dt12 transmission series dd15 gen 5](#) - Sep 12 2022

web may 27 2020 detroit diesel corporation detroit enhancements to the industry leading detroit dd15 engine and an expanded lineup of the popular detroit dt12 automated

detroit dd15 engine demand detroit - Sep 24 2023

web 1550 1850 lb ft torque range 425 505 hp horsepower 14 8l displacement the dd15 engine has been significantly redesigned with innovative new features building on the

dd15 freightliner trucks - Mar 18 2023

web the dd15 hdep2020 will be offered in a power range up to 505 hp with a maximum torque of 1 750 lb ft the following article outlines the goals of the hdep2020 engine project

demand a superior powertrain demand detroit - Jul 22 2023

web the detroit dd15 the next generation of efficiency the new dd15 engine is the latest innovation of the most popular class 8 engine in north america the latest dd15 has

detroit steer detroit has designed engineered - Aug 11 2022

web detroit axles warranty brochure explore demand detroit brochures and videos for our expansive line of engines axles and transmissions and hyper efficient integrated

detroit delivers next level fuel efficiency with a new dt12 - Jan 04 2022

detroit dd15 the new heavy duty diesel engine from daimler - Jan 16 2023

web continuing the legacy of efficiency durability and performance the dd15 engine is powerfully built with impressive ratings increased downspeeding for better fuel economy

dd15 freightliner trucks - Jun 21 2023

web jan 31 2022 the gen 5 dd15 displaces 14 8 liters and the high power engine has a peak output of 505 hp 377 kw at 1 625 rpm and 1 850 lb ft 2 508 nm torque at 975 rpm its

detroit expands dt12 transmission series improves dd15 engine - Mar 06 2022

web dec 8 2014 the detroit dd15 14 8 liter engine includes a patented in house turbocharger design that is more optimally matched to the exhaust gas recirculation egr system to

detroit dd15 engine - Nov 14 2022

web tmpowertrain integratesthe most fuel efficient dd15 engine ever with the technologically advanced dt12 tmtransmission and specifically designed detroit tandem axles that put

new dt12 transmission series and redesigned dd15 gen 5 - Jun 09 2022

web detroit expands dt12 transmission series improves dd15 engine bulk transporter latest enhancements designed to deliver better fuel economy performance durability for

detroit unveils new integrated detroit powertrain 6x2 - Dec 15 2022

web may 27 2020 when you combine the dd15 engine with a dt12 transmission you get an integrated detroit powertrain that is backed by detroit assurance 5 0 this driver

detroit dt12 drive steer detroit has designed - Jul 10 2022

web may 26 2021 with new vocational focused ratings delivering up to 525 hp and 1850 lb ft of torque the dd13 gen 5 is ideal for a wider range of jobsite applications including mixers

integrated detroit powertrain freightliner trucks - May 20 2023

web the new detroit dd15 engine delivers more innovation while powering a new era in driving testimonials find out why load one trucking relies on freightliner cascadia trucks with

[körperbau hund alles über anatomie skelett und gangart des](#) - Feb 15 2022

web jul 28 2023 bist du auch fasziniert vom körperbau der hunde dann bist du hier genau richtig in diesem artikel tauchen wir gemeinsam in die anatomie und physiologie des

die anatomie des hundes einfach und verständlich lovelybooks - May 01 2023

web feb 14 2019 viele hundefreunde sind nicht nur wegen einer bestimmten farbzeichnung oder fellbeschaffenheit von ihrem vierbeiner begeistert sondern häufig tragen die anatomie des hundes einfach und verständlich von kerstin mielke bei

die anatomie des hundes einfach und verständlich die anatomie des - Dec 28 2022

web wer mehr darüber erfahren möchte wie die verschiedenen körperfunktionen ablaufen findet in diesem buch alle wichtigen informationen besonderes augenmerk wird auf die beschreibung des bewegungsapparates gelegt dessen funktion für das lauftier hund eine ganz wichtige bedeutung hat

hund rassen lebenserwartung anatomie studysmarter - Sep 24 2022

web hund rassen lebenserwartung anatomie studysmarter biologie zoologie hund hund hund botanik ahornbaum aufbau laubblatt aufbau einer samenpflanze baum bedecktsamer blattquerschnitt blüte eiche linde baum lippenblütler lotuseffekt moos pilze samenpflanzen sprossachse stieleiche der menschliche körper anämie arterien

anatomie des hundes hunde - Jul 23 2022

web 1 körperabschnitte der körper eines hundes lässt sich zunächst grob in 5 abschnitte untergliedern kopf hals rumpf oder stamm bestehend aus rücken brust korb bauch und becken schwanz und gliedmaßen vorder und hintergliedmaßen 2

körperhöhlen brust bauch und beckenhöhle und ihr innenleben

die anatomie eines hundes sollte man auch kennen doggybed - Mar 19 2022

web feb 24 2021 hunde sehen ansprechend aus das dichte fell die lange schnauze die aufgestellten ohren und der sichere stand auf vier beinen das ist ein tier zum gern haben aber haben sie sich schon einmal mit der anatomie des hundes im detail befasst das skelett eines hundes das skelett schützt den körper des vierbeiners und ist

die anatomie des hundes anschaulich und verständlich - Mar 31 2023

web kerstin mielke betreibt eine praxis für hundephysiotherapie und hat sich daher intensiv mit der anatomie und funktion des hundekörpers beschäftigt diese auch für alle anderen hundehalter wichtigen kenntnisse vermittelt sie klar

die anatomie des hundes anschaulich und verständlich einfach und - Sep 05 2023

web die anatomie des hundes anschaulich und verständlich einfach und verständlich cadmos hundebuch mielke kerstin isbn 9783861277934 kostenloser versand für alle bücher mit versand und verkauf duch amazon

hundeanatomie informationen zu den wichtigsten organen elanco - May 21 2022

web menschen und hunde haben grundsätzlich die gleichen organe so wie die meisten säugetiere wenn sie ein bisschen über die anatomie ihres hundes wissen können sie besser für ihn sorgen und erkennen wenn ein organ besonderes augenmerk benötigt

anatomie hund körperaufbau einfach erklärt ratgeber 2020 - Jul 03 2023

web mar 19 2021 mensch und hund besitzen Ähnlichkeiten bei ihren knochen was ist die anatomie des hundes anatomie im allgemeinen ist die lehre des körpers in unserem fall die des hundes man unterscheidet zwischen der mikroskopischen und der makroskopischen anatomie

□ *anatomie des hundes der hund im detail guter hund de* - Aug 24 2022

web hunde haben taktil wahrnehmbare haare in der nähe der lippen schnurrhaare augenbrauen ohren und vorderbeine diese helfen hunden sich auch im dunkeln gut zu orientieren einige hunderassen haben nur haare auf lippen und augenbrauen auch die zunge das rhinarium die lippen und die fußsohlen sind wichtig für ihren tastsinn

fachbücher über die anatomie des hundes guter hund de - Apr 19 2022

web apr 1 2014 die anatomie des hundes anschaulich und verständlich autorin kerstin mielke erscheinungsdatum 01 08 2007 gebundenes buch wer mehr darüber erfahren möchte wie die verschiedenen körperfunktionen ablaufen findet in diesem buch alle wichtigen informationen detaillierte zeichnungen veranschaulichen ergänzend die

die anatomie des hundes cadmos shop - Nov 26 2022

web kerstin mielke betreibt eine praxis für hundephysiotherapie und hat sich daher intensiv mit der anatomie und funktion des hundekörpers beschäftigt diese auch für alle anderen hundehalter wichtigen kenntnisse vermittelt sie klar

die anatomie des hundes einfach und verständlich paperback amazon de - Aug 04 2023

web die anatomie des hundes einfach und verständlich anschaulich und verständlich mielke kerstin amazon de books books crafts hobbies home animal care pets buy new 16 90 prices for items sold by amazon include vat depending on your delivery address vat may vary at checkout for other items please see details free returns

die anatomie des hundes einfach und verständlich taschenbuch amazon de - Oct 06 2023

web wer mehr darüber erfahren möchte wie die verschiedenen körperfunktionen ablaufen findet in diesem buch alle wichtigen informationen besonderes augenmerk wird auf die beschreibung des bewegungsapparates gelegt dessen funktion für das lauftier hund eine ganz wichtige bedeutung hat

anatomie des hundes das zusammenleben purina - Oct 26 2022

web die struktur von hundeaugen sowie die tatsache dass hunde natürliche jagdtiere sind die tagsüber jagen bringt viele hundexperten zu der annahme dass hunde das gesamte farbspektrum wahrnehmen wobei sie manche farben

anatomie des hundes wissen hund de - Jun 21 2022

web dec 18 2021 dieser anatomische beitrag lehnt sich an einen ausgeglichenen hundekörper an der keinerlei degeneration aufweist die anatomie des hundes näher erläutert der rücken bildet eine brücke zwischen der vor und hinterhand er wird aufgeteilt in widerrist eigentlicher rücken

die anatomie des hundes von kerstin mielke ebook thalia - Jan 29 2023

web anschaulich und verständlich kerstin mielke ebook 7 49 inkl gesetzl mwst versandkostenfrei artikel erhalten sofort per download lieferbar

anatomie beim hund von kopf bis rute i edogs magazin - Jun 02 2023

web oct 4 2022 die äußere einteilung des hundekörpers der hundekörper besteht aus dem kopf dem hals brustkorb rumpf vorderen und hinteren extremitäten und der rute der körper ist zum schutz mit der haut überzogen in der die haarfollikel für die bildung des hundefells liegen

die anatomie des hundes medpets de - Feb 27 2023

web sep 8 2020 die anatomie des hundes es geht zu weit die gesamte anatomie des hundes zu erklären es ist jedoch wichtig die grundlagen zu kennen denn dann können sie besser verstehen wie und warum sie sich in einer bestimmten weise um ihren hund kümmern können und wie ihr hund kommuniziert säugetier hunde sind säugetiere wie