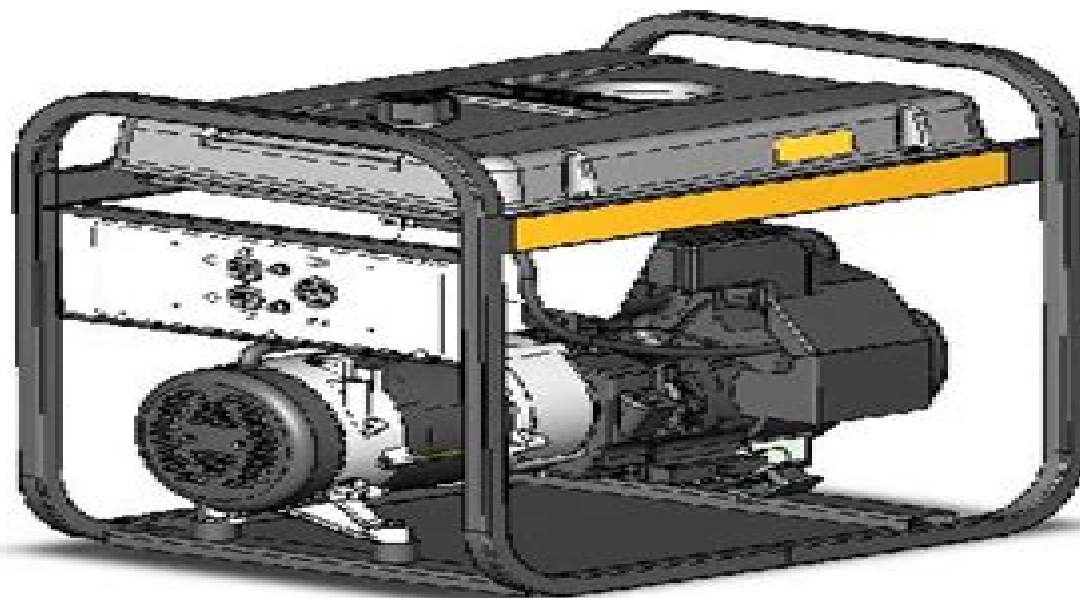


**PMA525302.01**

**Insert  
Additif  
Adición**

**Coleman**  **Powermate**

**ELECTRIC GENERATOR  
GROUPE ELECTROGENE  
GENERADOR ELECTRICO**



**IMPORTANT** – Please make certain that persons who are to use this equipment thoroughly read and understand these instructions and any additional instructions provided prior to operation.

**IMPORTANT** - Prière de vous assurer que les personnes destinées à utiliser cet appareil ont pris soin d'en lire et d'en comprendre le mode d'emploi ou les directives avant de le mettre en marche.

**IMPORTANTE**. Asegúrese que las personas que utilizarán este equipo lean y entiendan completamente estas instrucciones y cualquier instrucción adicional proporcionada antes del funcionamiento.

# Coleman Powermate 3500 Service Manual

**Thomas Griffiths**



## **Coleman Powermate 3500 Service Manual:**

## Whispering the Secrets of Language: An Mental Journey through **Coleman Powermate 3500 Service Manual**

In a digitally-driven earth where monitors reign great and immediate communication drowns out the subtleties of language, the profound secrets and mental subtleties hidden within words frequently move unheard. Yet, situated within the pages of **Coleman Powermate 3500 Service Manual** a captivating fictional treasure blinking with organic thoughts, lies a fantastic quest waiting to be undertaken. Published by a talented wordsmith, this wonderful opus attracts visitors on an introspective journey, softly unraveling the veiled truths and profound impact resonating within the cloth of each and every word. Within the mental depths of this emotional review, we can embark upon a genuine exploration of the book is core styles, dissect its captivating publishing model, and yield to the effective resonance it evokes serious within the recesses of readers hearts.

[https://www.portal.goodeyes.com/data/Resources/Download\\_PDFS/Checkmate\\_In\\_The\\_Carpathians\\_Passport\\_To\\_Danger\\_3.pdf](https://www.portal.goodeyes.com/data/Resources/Download_PDFS/Checkmate_In_The_Carpathians_Passport_To_Danger_3.pdf)

### **Table of Contents Coleman Powermate 3500 Service Manual**

1. Understanding the eBook Coleman Powermate 3500 Service Manual
  - The Rise of Digital Reading Coleman Powermate 3500 Service Manual
  - Advantages of eBooks Over Traditional Books
2. Identifying Coleman Powermate 3500 Service Manual
  - Exploring Different Genres
  - Considering Fiction vs. Non-Fiction
  - Determining Your Reading Goals
3. Choosing the Right eBook Platform
  - Popular eBook Platforms
  - Features to Look for in an Coleman Powermate 3500 Service Manual
  - User-Friendly Interface
4. Exploring eBook Recommendations from Coleman Powermate 3500 Service Manual
  - Personalized Recommendations

- Coleman Powermate 3500 Service Manual User Reviews and Ratings
- Coleman Powermate 3500 Service Manual and Bestseller Lists
- 5. Accessing Coleman Powermate 3500 Service Manual Free and Paid eBooks
  - Coleman Powermate 3500 Service Manual Public Domain eBooks
  - Coleman Powermate 3500 Service Manual eBook Subscription Services
  - Coleman Powermate 3500 Service Manual Budget-Friendly Options
- 6. Navigating Coleman Powermate 3500 Service Manual eBook Formats
  - ePub, PDF, MOBI, and More
  - Coleman Powermate 3500 Service Manual Compatibility with Devices
  - Coleman Powermate 3500 Service Manual Enhanced eBook Features
- 7. Enhancing Your Reading Experience
  - Adjustable Fonts and Text Sizes of Coleman Powermate 3500 Service Manual
  - Highlighting and Note-Taking Coleman Powermate 3500 Service Manual
  - Interactive Elements Coleman Powermate 3500 Service Manual
- 8. Staying Engaged with Coleman Powermate 3500 Service Manual
  - Joining Online Reading Communities
  - Participating in Virtual Book Clubs
  - Following Authors and Publishers Coleman Powermate 3500 Service Manual
- 9. Balancing eBooks and Physical Books Coleman Powermate 3500 Service Manual
  - Benefits of a Digital Library
  - Creating a Diverse Reading Collection Coleman Powermate 3500 Service Manual
- 10. Overcoming Reading Challenges
  - Dealing with Digital Eye Strain
  - Minimizing Distractions
  - Managing Screen Time
- 11. Cultivating a Reading Routine Coleman Powermate 3500 Service Manual
  - Setting Reading Goals Coleman Powermate 3500 Service Manual
  - Carving Out Dedicated Reading Time
- 12. Sourcing Reliable Information of Coleman Powermate 3500 Service Manual
  - Fact-Checking eBook Content of Coleman Powermate 3500 Service Manual

- Distinguishing Credible Sources
13. Promoting Lifelong Learning
    - Utilizing eBooks for Skill Development
    - Exploring Educational eBooks
  14. Embracing eBook Trends
    - Integration of Multimedia Elements
    - Interactive and Gamified eBooks

### **Coleman Powermate 3500 Service Manual Introduction**

Coleman Powermate 3500 Service Manual Offers over 60,000 free eBooks, including many classics that are in the public domain. Open Library: Provides access to over 1 million free eBooks, including classic literature and contemporary works. Coleman Powermate 3500 Service Manual Offers a vast collection of books, some of which are available for free as PDF downloads, particularly older books in the public domain. Coleman Powermate 3500 Service Manual : This website hosts a vast collection of scientific articles, books, and textbooks. While it operates in a legal gray area due to copyright issues, its a popular resource for finding various publications. Internet Archive for Coleman Powermate 3500 Service Manual : Has an extensive collection of digital content, including books, articles, videos, and more. It has a massive library of free downloadable books. Free-eBooks Coleman Powermate 3500 Service Manual Offers a diverse range of free eBooks across various genres. Coleman Powermate 3500 Service Manual Focuses mainly on educational books, textbooks, and business books. It offers free PDF downloads for educational purposes. Coleman Powermate 3500 Service Manual Provides a large selection of free eBooks in different genres, which are available for download in various formats, including PDF. Finding specific Coleman Powermate 3500 Service Manual, especially related to Coleman Powermate 3500 Service Manual, might be challenging as theyre often artistic creations rather than practical blueprints. However, you can explore the following steps to search for or create your own Online Searches: Look for websites, forums, or blogs dedicated to Coleman Powermate 3500 Service Manual, Sometimes enthusiasts share their designs or concepts in PDF format. Books and Magazines Some Coleman Powermate 3500 Service Manual books or magazines might include. Look for these in online stores or libraries. Remember that while Coleman Powermate 3500 Service Manual, sharing copyrighted material without permission is not legal. Always ensure youre either creating your own or obtaining them from legitimate sources that allow sharing and downloading. Library Check if your local library offers eBook lending services. Many libraries have digital catalogs where you can borrow Coleman Powermate 3500 Service Manual eBooks for free, including popular titles. Online Retailers: Websites like Amazon, Google Books, or Apple Books often sell eBooks. Sometimes, authors or publishers offer promotions or free periods for

certain books. Authors Website Occasionally, authors provide excerpts or short stories for free on their websites. While this might not be the Coleman Powermate 3500 Service Manual full book, it can give you a taste of the authors writing style. Subscription Services Platforms like Kindle Unlimited or Scribd offer subscription-based access to a wide range of Coleman Powermate 3500 Service Manual eBooks, including some popular titles.

## **FAQs About Coleman Powermate 3500 Service Manual Books**

**What is a Coleman Powermate 3500 Service Manual PDF?** A PDF (Portable Document Format) is a file format developed by Adobe that preserves the layout and formatting of a document, regardless of the software, hardware, or operating system used to view or print it. **How do I create a Coleman Powermate 3500 Service Manual PDF?** There are several ways to create a PDF: Use software like Adobe Acrobat, Microsoft Word, or Google Docs, which often have built-in PDF creation tools. Print to PDF: Many applications and operating systems have a "Print to PDF" option that allows you to save a document as a PDF file instead of printing it on paper. Online converters: There are various online tools that can convert different file types to PDF. **How do I edit a Coleman Powermate 3500 Service Manual PDF?** Editing a PDF can be done with software like Adobe Acrobat, which allows direct editing of text, images, and other elements within the PDF. Some free tools, like PDFescape or Smallpdf, also offer basic editing capabilities. **How do I convert a Coleman Powermate 3500 Service Manual PDF to another file format?** There are multiple ways to convert a PDF to another format: Use online converters like Smallpdf, Zamzar, or Adobe Acrobats export feature to convert PDFs to formats like Word, Excel, JPEG, etc. Software like Adobe Acrobat, Microsoft Word, or other PDF editors may have options to export or save PDFs in different formats. **How do I password-protect a Coleman Powermate 3500 Service Manual PDF?** Most PDF editing software allows you to add password protection. In Adobe Acrobat, for instance, you can go to "File" -> "Properties" -> "Security" to set a password to restrict access or editing capabilities. Are there any free alternatives to Adobe Acrobat for working with PDFs? Yes, there are many free alternatives for working with PDFs, such as: LibreOffice: Offers PDF editing features. PDFsam: Allows splitting, merging, and editing PDFs. Foxit Reader: Provides basic PDF viewing and editing capabilities. How do I compress a PDF file? You can use online tools like Smallpdf, ILovePDF, or desktop software like Adobe Acrobat to compress PDF files without significant quality loss. Compression reduces the file size, making it easier to share and download. Can I fill out forms in a PDF file? Yes, most PDF viewers/editors like Adobe Acrobat, Preview (on Mac), or various online tools allow you to fill out forms in PDF files by selecting text fields and entering information. Are there any restrictions when working with PDFs? Some PDFs might have restrictions set by their creator, such as password protection, editing restrictions, or print restrictions. Breaking these restrictions might require specific software or tools, which may or

may not be legal depending on the circumstances and local laws.

**Find Coleman Powermate 3500 Service Manual :**

**checkmate in the carpathians passport to danger 3**

[charles rennie mackintosh charles rennie mackintosh](#)

[cheesecake factory strawberry martini recipe](#)

[charles spurgeon lectures to my students volume 1](#)

**checkpoint certified security study guide**

[charlotte russe text](#)

[chase sapphire preferred review](#)

[charles sorley poetry gladness earths](#)

**cheetah negotiations cheetah success series book 2**

[chase freedom benefits](#)

[ehawat katha in marathi](#)

[cheap flights to san diego](#)

[chase online where to see account number](#)

[cheerleader conditioning](#)

**checkpoint r75 training manual**

**Coleman Powermate 3500 Service Manual :**

[ergometrie springerlink](#) - Feb 27 2022

web pohan r hofmann p wonisch m 2004 dreiphasigkeit der energiebereitstellung in pohan r förster h hofmann p hörtnagl h ledl kurkowski e wonisch m hrsg kompendium der sportmedizin physiologie innere medizin und pädiatrie springer heidelberg s 39 44 crossref google scholar

[kompendium der sportmedizin physiologie innere medizin und](#) - Nov 07 2022

web jan 1 2004 request pdf kompendium der sportmedizin physiologie innere medizin und pädiatrie die zusatzqualifikation einer sportmedizinischen ausbildung erfreut sich bei vielen medizinern immer

[kompendium der sportmedizin physiologie innere me copy](#) - Jan 29 2022

web apr 7 2023 kompendium der sportmedizin physiologie innere me 2 8 downloaded from uniport edu ng on april 7 2023



by guest and effectiveness of state of the art echocardiography is unsurpassed this handy atlas includes all of the information you need to navigate the numerous imaging planes that transect the heart with ease and

*kompendium der sportmedizin physiologie innere me* - Jun 02 2022

web kompendium der sportmedizin physiologie innere me that we will unquestionably offer it is not with reference to the costs its nearly what you habit currently this kompendium der sportmedizin physiologie innere me as one of the most functional sellers here will very be accompanied by the best options to review the face ralf j radlanski

kompendium der sportmedizin physiologie innere medizin und - Jan 09 2023

web jan 1 2017 request pdf kompendium der sportmedizin physiologie innere medizin und pädiatrie praxisnahes lehrbuch in neuauflage in der prävention und behandlung von zivilisationserkrankungen

spor anatomîsî ve fîzyolojîsî dersî meb - Mar 31 2022

web 5 c Ç 5 m t p spor anatomisi ve fizyolojisi dersi Öğretim programı ile öğrencilere kazandırılması hedef lenen beceriler aşağıda sunulmuştur

**kompendium der sportmedizin physiologie innere medizin und** - Apr 12 2023

web nov 22 2016 kompendium der sportmedizin physiologie innere medizin und pädiatrie editors manfred wonisch peter hofmann holger förster helmut hörtnagl eveline ledl kurkowski rochus pokan edition 2 illustrated publisher springer verlag 2016 isbn 3211997164 9783211997161 length 548 pages subjects

*kompendium der sportmedizin physiologie innere me* - Sep 05 2022

web merely said the kompendium der sportmedizin physiologie innere me is universally compatible with any devices to read kompendium der sportmedizin rochus pokan 2013 07 29 die zusatzqualifikation einer sportmedizinischen ausbildung erfreut sich bei vielen medizinern immer größerer beliebtheit

**kompendiumdersportmedizinphysiologieinnereme 2022** - May 01 2022

web kompendium der kardiologischen prävention und rehabilitation gesundheit in bewegung self and not self halbjährliches verzeichnis taschenbücher pediatric orthopedics in practice kompendium der sportmedizin endurance in sport lehrbuch der sportpsychiatrie und psychotherapie ars medici pilates deutsche biographische

kompendium der sportmedizin physiologie innere medizin und - May 13 2023

web kompendium der sportmedizin physiologie innere medizin und pädiatrie wonisch manfred hofmann peter förster holger hörtnagl helmut ledl kurkowski eveline pokan rochus isbn 9783211997154 kostenloser versand für alle bücher mit versand und verkauf duch amazon

kompendiumdersportmedizinphysiologieinnereme 2022 - Dec 28 2021

web kompendium der sportmedizin seattle toronto hogrefe huber bewegungsmangel ist laut who die epidemie des 21

jahrhunderts unzureichende körperliche aktivität begünstigt nicht nur die entstehung von Übergewicht adipositas und diabetes sondern schadet dem gesamten herz kreislauf system bewegung und sport wirken als

*kompendium der sportmedizin physiologie innere medizin und* - Mar 11 2023

web jul 29 2013 kompendium der sportmedizin physiologie innere medizin und pädiatrie kompendium der sportmedizin

rochus pohan holger förster peter hofmann helmut hörtnagl eveline

**kompendium der sportmedizin physiologie innere medizin und** - Jun 14 2023

web kompendium der sportmedizin physiologie innere medizin und pädiatrie pdf 1819kvotuneg dieses buch orientiert sich in seinem aufbau thematisch an den lehrinhalten des internistischen physiologischen und päd

kompendium der sportmedizin physiologie innere medizin und - Jul 15 2023

web eveline ledl kurkowski manfred wonisch praxisnaher leitfaden für die tägliche arbeit von sportmedizinern strukturierter aufbau mit prüfungsfragen lerngerecht für ausbildung und studium benutzerfreundlich und anschaulich mit zahlreichen abbildungen 15k accesses

kompendium der sportmedizin physiologie innere medizin und - Aug 16 2023

web about this book dieses buch orientiert sich in seinem aufbau thematisch an den lehrinhalten des internistischen physiologischen und pädiatrischen ausbildungszyklus zum anerkannten bewegungsmediziner die neuauflage wurde an das neue curriculum angepasst und aktualisiert

**kompendiumdersportmedizinphysiologieinnereme pdf dev sfcg** - Aug 04 2022

web kompendium der sportmedizin menghin pötel anatomie lernen durch beschrifteten pilates kompendium der sportmedizin chemie für mediziner schweizerische medizinische wochenschrift kürschners deutscher gelehrten kalender pocket atlas of echocardiography fashion dis ability trainingswissenschaft

*kompendium der sportmedizin physiologie innere me* - Jul 03 2022

web kompendium der sportmedizin physiologie innere me downloaded from brannacholann com by guest christine perkins halbjährliches verzeichnis taschenbücher elsevier urban fischerverlag this book provides information regarding epidemiologic methods used in studies of physical activity it is intended for use by

*download pdf kompendium der sportmedizin physiologie innere* - Feb 10 2023

web download pdf kompendium der sportmedizin physiologie innere medizin und pädiatrie pdf 1819kvotuneg dieses buch orientiert sich in seinem aufbau thematisch

*kompendium der sportmedizin springermedizin de* - Dec 08 2022

web dieses buch orientiert sich in seinem aufbau thematisch an den lehrinhalten des internistischen physiologischen und pädiatrischen ausbildungszyklus

**kompendium der sportmedizin physiologie innere me** - Oct 06 2022

web kompendium der sportmedizin physiologie innere me downloaded from qr bonide com by guest houston grant the blood lactate response to exercise jessica kingsley publishers der zeeck ist nicht umsonst das standardwerk in der chemie es ist ihr perfekter begleiter beim einstieg in das fach aber auch bestens geeignet für alle

fire risk assessments for hairdressers fire prevention - May 03 2022

web jan 10 2023 emergency lighting in any salon evacuation procedures and how to ensure that the customers have left the building safely completing a fire risk assessment for hair salons to keep your hairdressing salon safe and protected you must complete a fire risk assessment by going through the five steps you will have done everything

**beauty salon legislation and regulations 2023 startups guide** - Apr 02 2022

web jun 16 2023 as a result of the coronavirus pandemic new rules and procedures have also been introduced which have been confusing for many beauty salons to navigate many consumers are still looking for safety measures from their salons which means you need to be ahead of the curve if you re running a small business salon or startup

*10 health and safety procedures for a hair and beauty salon* - Aug 18 2023

web jun 20 2022 10 health and safety procedures for a hair and beauty salon blogs 20 jun 2022 if you re a hairdresser barber or running a beauty salon complying with health and safety laws keeps your clients and employees safe health and safety experts walk you through 10 key areas to remember

**health and safety in the salon the freed edge** - Oct 08 2022

web in your salon there should be evacuation areas and procedures in place as well as emergency contacts on hand in your salon there should also be an area where a client can sit or lie down for recovery seizure situations it is wise to have a basic first aid kit on hand and invest in a basic first aid course

**iuco78 follow health and safety practice in the salon** - Jul 05 2022

web emergency procedures follow emergency procedures fire evacuation follow accident reporting procedures which meet with salon policy recording accidents person responsible for monitoring accidents identify named

**uco9 follow health and safety practice in the salon vtct** - Jan 11 2023

web learners will recognise how to ensure all clients and visitors are safe at all times and assist them with the correct safety procedures learners will carry out a basic risk assessment identify what are a hazard and a risk and how to report and deal with any workplace accidents effectively

*emergency procedures hse* - Sep 07 2022

web emergency procedures workplaces need a plan for emergencies that can have a wider impact special procedures are needed for emergencies such as serious injuries explosion flood

uv20483 vtct - Feb 12 2023

web emergency and evacuation procedures this unit applies to salons or barbershops for the purposes of this unit the generic term of practitioner has been used to incorporate the following roles barber beauty therapist complementary therapist hairdresser make up massage therapist nail technician

*unit 600 follow health and safety practice in the salon* - Jun 04 2022

web itec level 2 unit 600 follow health and safety practice in the salon v1 4 2 4 describe procedures for dealing with emergencies 2 5 locate fire fighting equipment 2 6 outline the correct use of fire fighting equipment for different types of fire 2 7 state the dangers of the incorrect use of fire fighting equipment on different types of fires

*event safety planning for incidents and emergencies hse* - Jun 16 2023

web emergency procedures procedures for staff and volunteers to follow in an emergency should include raising the alarm and informing the public onsite emergency response ie use of fire

*follow health and safety practice in the salon vtct* - Jul 17 2023

web describe the emergency procedures that need to be followed within your salon outline the correct use of firefighting equipment for different types of fires and state the dangers of the incorrect use of each learning outcome 2 be able to maintain health and safety practices in

**health and safety in the salon brighton met and northbrook** - Apr 14 2023

web the aim of this manual is to develop understanding of the principles of health and safety at work within a salon barbershop or spa it will introduce the overarching legislation and explore the measures designed to protect the health and safety of people in the workplace including staff visitors and members of the public

**health safety for your salon or business salon services** - Dec 10 2022

web nov 24 2018 if you have employees you are legally required to talk to them about health and safety and how it relates to their work this ranges from hazards and risks to emergency procedures in the event of a fire for example give them the appropriate training to identify and minimise potential risks in the workplace to them and their clients

*emergency procedure wikipedia* - Jan 31 2022

web an emergency procedure is a plan of actions to be conducted in a certain order or manner in response to a specific class of reasonably foreseeable emergency a situation that poses an immediate risk to health life property or the environment 1 where a range of emergencies are reasonably foreseeable an emergency plan may be drawn up to

**emergency procedures in the salon ehow uk** - Sep 19 2023

web emergency procedures including first aid supplies and instructions as well as proper training are important to put into practice in a salon salon equipment can also be hazardous to workers and customers

**in case of emergency safeguard your salon for when disaster** - Mar 13 2023

web sep 17 2018 unfortunately more than 40 percent of businesses never reopen after a major disaster according to the federal emergency management agency fema even more shocking two years later only 29 percent of those that reopened remain operational to avoid becoming a statistic have an emergency response plan in place

**salon fire safety uk responsibilities oheap fire security** - Aug 06 2022

web mar 13 2023 salon fire safety training is an essential aspect of ensuring the safety of everyone in a salon it is important to educate salon staff on fire safety practices and procedures to prevent fires and minimise risks in case of an emergency here are some key points to include in salon fire safety training what to include in salon fire safety

sihho201a apply salon safety procedures training gov au - May 15 2023

web release 1 sihho201a apply salon safety procedures modification history not applicable unit descriptor this unit describes the performance outcomes skills and knowledge required to apply safe hairdressing working *emergency procedures including evacuation plans j f s hair salon* - Mar 01 2022

web j f s hair salon emergency procedures including evacuation plans emergency 4 9 2013 1 comment each business will have its own explicit procedures and recommendations that must be obeyed in case of an emergency set out below is a general outline of what to do and who to contact in a variety of emergency situations robbery

follow health and safety practice in the salon the hair and - Nov 09 2022

web follow health and safety practice in the salon uv20483 r 600 8763 learner name vrq learner number vtct is the specialist awarding body for the hairdressing beauty therapy complementary therapy and sport and active leisure sectors with over 45 *grade 3 short afrikaans stories worksheets learny kids* - Mar 14 2022

web displaying top 8 worksheets found for grade 3 short afrikaans stories some of the worksheets for this concept are reading grade 3 afrikaans animal stories afrikaans the introductory programme short afrikaans stories for kids afrikaans fable stories for children books in afrikaans jan 05 afrikaans paper 3 grade 10 easy afrikaans

**stories in afrikaans** - Sep 19 2022

web afrikaans stories although this is a web site aimed at beginners it also aims to show that afrikaans is a living developing language and we will add stories as we find them or you send them to us rudie se wens by annetjie welgemoed bietjie by by annetjie welgemoed stories in afrikaans

short afrikaans stories worksheets k12 workbook - Feb 10 2022

web displaying all worksheets related to short afrikaans stories worksheets are workbooks for learners studying afrikaans as a second language afrikaans kwartaal 1 werksblad 1 afrikaans the introductory programme afrikaans stories for grade 5 afrikaans short stories grade 8 afrikaans short stories comprehension grade 8 afrikaans short

**afrikaans childrens story** - Mar 26 2023

web afrikaans childrens story bietjie by by annetjie welgemoed bietjie by woon saam met baie bye in n baie groot bye kolonie die dag toe bietjie by geword het het haar mamma verwonderd gesê ag kyk net so n bietjie by en pappa het bygevoeg ja nee baie by is sy nie vandaar die naam bietjie en bietjie het sy gebly

*children stories in afrikaans and english* - Jul 30 2023

web our website offers a diverse range of stories available in both english and afrikaans that will engage and entertain your little ones for hours we update our collection every week with new and exciting stories ensuring that your child s reading experience is

*233 top afrikaans short stories teaching resources curated* - Jun 28 2023

web explore more than 292 afrikaans short stories resources for teachers parents and pupils as well as related resources on afrikaans short story help find lots of foundation intermediate and senior phase resources for south african teachers and educators aligned to the caps curriculum right here

**afrikaanse storie apps on google play** - Nov 21 2022

web apr 4 2023 the best and most popular fairy tales in afrikaans covering many topics magical stories king and queen princess stories beast witch giant stories in afrikaans fairy tales or fairy tales magic stories include many famous stories i e sleeping beauty the lion and the mouse red shoes alice in wonderland

**free download little ant s big plan eng xhosa zulu 8** - Feb 22 2023

web aug 5 2019 recommended stories this is a story about a little ant with a big plan and how his love for reading saved the day read and download this story in multiple languages here

**short stories in afrikaans worksheets learny kids** - Oct 21 2022

web displaying top 8 worksheets found for short stories in afrikaans some of the worksheets for this concept are afrikaans short stories for grade 3 afrikaans short stories comprehension grade 8 afrikaans story about animals for grade 5 pdf epub ebook afrikaans short stories comprehension short afrikaans animal stories easy

**gratis stories vir jong kinders afrikaans com** - May 28 2023

web kom ontdek saam met afrikaans com n droomwêreld waarin kinders hulle verbeelding vrye teuels kan gee en groot kan droom afrikaans com stel die volgende gratis aflaaibare stories in die reeks deur die skrywer jana snyman bekend hierdie stories is gemik op 7 12 jariges en ondersoek die temas van veiligheid en

*afrikaans for kids educational videos youtube* - Aug 19 2022

web 1 55 afrikaans for beginners how to say the abc in afrikaans 163k views3 years ago 2 45 afrikaans for beginners how to count from 0 30 in afrikaans 36k views3

**afrikaans nal ibali** - Jun 16 2022

web stories written stories multilingual story supplements audio stories video stories create your own story activity sheets printables campaigns news news articles work for us gallery get involved start a reading club men s literacy imbizo become a literacy volunteer invest in a nation of readers become an employee

**afrikaans short stories open library** - May 16 2022

web afrikaans fiction fiction translations into english history and criticism social life and customs short stories afrikaans afrikaans historical fiction afrikaans literature fiction short stories single author women women authors afrikaans young adult literature afrikaans prose literature afrikaanse kortverhaalboek anecdotes

**afrikaans short stories for kids worksheets k12 workbook** - Apr 14 2022

web displaying all worksheets related to afrikaans short stories for kids worksheets are afrikaans fable stories for children afrikaans short stories grade 8 afrikaans stories for grade 5 kwartaal 1 werksblad 1 afrikaans fable stories for children afrikaans afrikaans stories for grade 5 african folktale

**kuiken storie klein hen sprokies verhale afrikaanse stories** - Apr 26 2023

web sep 9 2019 kuiken storie klein hen kinderstorie wise little hen story in afrikaansbetaal bit ly 2knqgpd afrikaansfairytales kinderstorie afrikaanscartoon

**afrikaans short stories for kids grade 1** - Jul 18 2022

web displaying top 8 worksheets found for afrikaans short stories for kids grade 1 some of the worksheets for this concept are grades 1 kwartaal 1 werksblad 1 learning to read afrikaans workbooks for learners studying afrikaans as a second language how to skateboard a pool fit for a hedgehog literature grade 12 math mammoth grade 3 b

**100 kortverhale interesting short stories for children afrikaans** - Dec 23 2022

web dit is n pragtige versameling van 100 universele kortverhale spesiaal ontwerp vir die kinders van alle ouderdomme die beskrywing van hierdie stories is so boeiend dat selfs die oudstes pret lees hulle sal gehou word

**folktale stories in afrikaans teaching wiki twinkl** - Oct 01 2023

web let s look at some summaries of popular folktale stories in afrikaans aspoestertjie cinderella hiedrie storie gaan oor n meisie wat met haar stiefma en stiefsusters bly hulle hou net mooi niks van haar nie en gee altyd harde werk vir haar om te doen daar was n feesviering by die dorp se paleis en daar het die meisie met die prins gedans

*looking for stories to read in african languages nal ibali* - Jan 24 2023

web the learning board is a fun tool to help children learn new words when reading a story by translating words from and or to english afrikaans sepedi sesotho xhosa xitsonga and zulu children can also look up the meaning of english words

afrikaans short stories for kids worksheets learny kids - Aug 31 2023

web afrikaans short stories for kids displaying top 8 worksheets found for afrikaans short stories for kids some of the worksheets for this concept are afrikaans fable stories for children afrikaans short stories grade 8 afrikaans stories for grade 5 kwartaal 1 werksblad 1 afrikaans fable stories for children afrikaans afrikaans stories