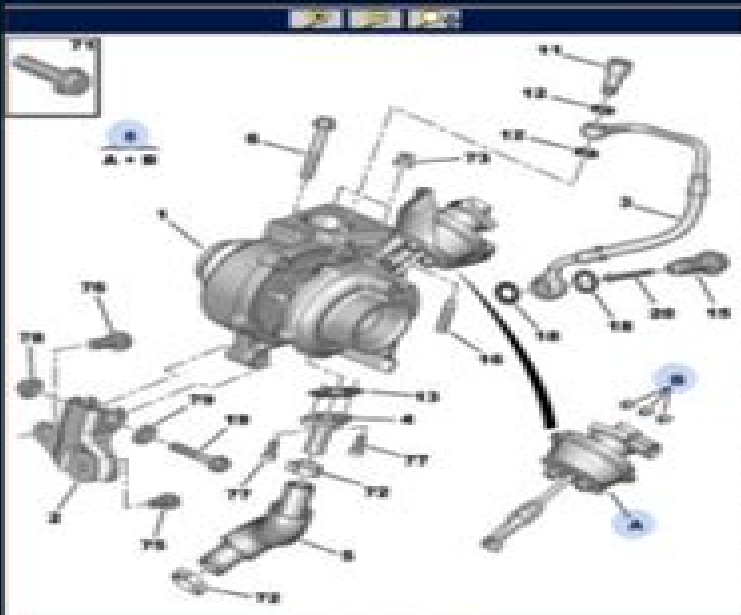
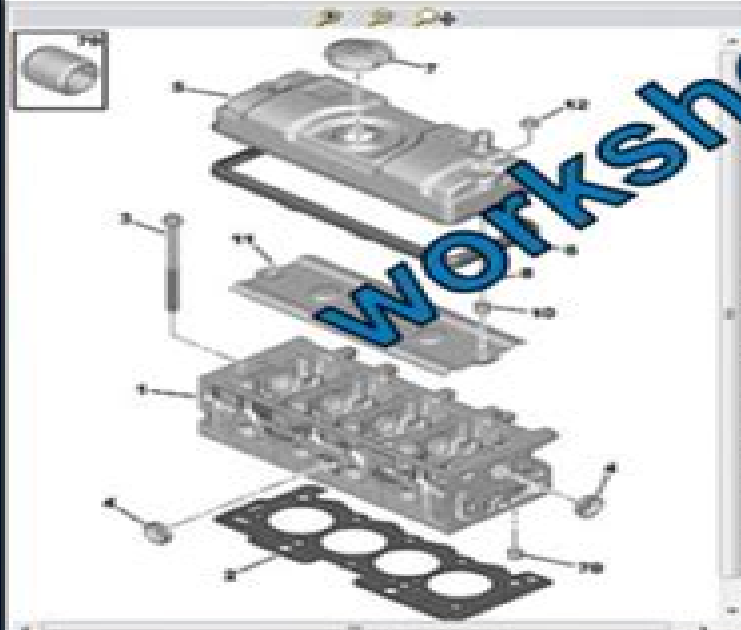


Fiat Ducato 2002-2017 Workshop Manual



TURBO CHARGER OIL RETURN HOSE

13	8376 44	TURBO LUBRICATION PIPE
14	8376 45	TURBO OIL RETURN PIPE
15	8381 25	OIL RETURN HOSE
16	8376 47	HEX HEAD CAPSCREW M6x20 988725-03
18	8376 70	CONTROL CAPSULE TURBO KIT
11	8376 46	UNION SCREW 12x18 M12X18-07
12	8386 21	COPPER GASKET 12-18 EP 2.5
13	8386 23	OIL RETURN SEAL
15	1184 46	WASHER 12x18 CO-AL-3-EP-3
16	8376 41	TURBO SUPPORT STUD M12x20



CYLINDER HEAD - COVER

ALLOCATION TABLE		
13	8006 AC	CYLINDER HEAD - ALLOCATION TABLE COLLASE LIFT (SAND SOURCE)
12	8006 CA	CYL HEAD GASKET
13	8006 CC	CYL HEAD GASKET
14	8004 BC	REPAIR - ALLOCATION TABLE
15	8004 BC	CYL HEAD BOLT DUAL 10260-17L8 - ALLOCATION TABLE
16	8003 10	WELCH PLUG DUAL 36 - ALLOCATION TABLE
17	8047 70	CYL HEAD COVER - ALLOCATION TABLE
18	8048 80	GASKET - BUCKER - ALLOCATION TABLE
19	8058 84	FILLER PLUG - ALLOCATION TABLE
20	8058 84	CYL HEAD STUD EXTENDED-03 - ALLOCATION TABLE
21	8058 43	SPACER - ALLOCATION TABLE
22	8074 36	DEFLECTOR - ALLOCATION TABLE
23	8058 67	CAP BOLT M6x10

workshopmanuals.org

Fiat Ducato A Service Manual

Fiat (Firm)



Fiat Ducato A Service Manual:

Manuale di riparazione meccanica Fiat Ducato III 2.3 Multijet (Euro 5) - RTA260 Autronica SRL,2015 La Rivista Tecnica dell'Automobile il manuale monografico di manutenzione e riparazione meccanica Pu essere usato da autoriparatori o appassionati esperti per operazioni di stacco riattacco e sostituzione componenti e ricambi dei principali sistemi dell'automobile quali motore cambio freni sospensioni climatizzazione e molto altro Contiene procedure di riparazione chiare e dettagliate corredate da immagini e fotografie in bianco e nero necessarie per poter operare con semplicità velocità e sicurezza sulla vettura

The Motorhome and Campervan Book Sammy Faircloth,2024-11-08 The Motorhome Campervan Handbook aims to address all potential queries related to choosing purchasing using maintaining and enjoying these vehicles It is an indispensable resource for current owners and those considering the motorhome or campervan lifestyle The Motorhome and Campervan Handbook is presented in a colourful user friendly style containing invaluable advice for both potential buyers and existing owners of motorhomes and campervans Presented in a colourful easy to follow A5 format an ideal size to keep in your glovebox for easy access the guide discusses various aspects of motorhomes and campervans related to the different types of motorhomes and campervans available buying and storing preparing for trips and choosing the right sites understanding gas and electrics servicing and maintaining accessories winter lay up and much more Spanning 14 chapters with numerous colour photographs including Useful Handy and Technical Tip panels throughout Clear concise advice on key points

Moody's International Manual ,2000 iPhone: The Missing Manual David Pogue,2019-11-05 The iPhone 11 11 Pro 11R and 11Max are faster than ever and have more powerful cameras With the latest edition of this bestselling guide you get a funny gorgeously illustrated guide to the tips shortcuts and workarounds that will turn you into an iPhone master Written by David Pogue Missing Manual series creator New York Times columnist and Emmy winning tech correspondent for CNBC CBS and NPR this update shows you everything you need to know about new iPhone features and the iOS 13 user interface Pick up this beautiful full color book and learn how to get the most out of your iPhone

The Road Way ,1991

The History of Optare Keith A. Jenkinson,2020-08-15 Rare and previously unpublished images of the popular bus company Optare s history a company with a fascinating story

Dictionary Catalog Columbia University. Libraries. Library of the School of Library Service,Columbia University. School of Library Service. Library,1962

Autocar ,2001 *Jane's Urban Transport Systems* Mary Webb,Jackie Clarke,2007 Surveys the systems manufacturers and consultants within the global market City by city you can analyse and review both current operations and future plans Provides traffic statistics fleet lists and numbers in service Provides contact details and background of approx 1 500 manufacturers

Motor Cycling and Motoring ,1987 Fiat service manual, 131, 1976-79 , **Fiat 127 Owners Workshop Manual** John Harold Haynes,H. S. H. Phelps,1987 **Fiat 132 Service Manual** Fiat (Firm),1975 **JPRS Report** ,1994-05 *Fiat 1300, 1500 1961-1967 Owners Workshop Manual* Autobooks,2008-07-01 154 pages 184 illustrations size 7 5 x 9 25 inches As a service to the classic

car enthusiast VelocePress in close cooperation with Brooklands Books Ltd has brought this and other repair manuals previously published as part of the Autobook Autopress Owners Workshop Manual Series back into print This series of manuals is an invaluable resource for the classic car enthusiast and a must have for owners interested in performing their own maintenance These manuals include detailed repair service data and comprehensive step by step instructions and illustrations on dismantling overhauling and re assembly Typically they contain individual chapters that deal with the following items Engine Carburetor Fuel System Ignition System Cooling System Clutch Transmission Drive Shaft Rear Axle Rear Suspension Front Suspension Hubs Steering Gear Braking System Electrical Equipment and Bodywork There are many time saving hints and tips included and there is an easy to follow fault diagnosis at the end of each chapter All of the manuals in this series include a detailed index and feature an oil resistant laminated cover Fiat 128, Owners Workshop Manual John Harold Haynes,1988 **Fiat Punto Oct 1999 to July 2003 (V Reg Onwards), Petrol** John S. Mead,2006 Directory of Corporate Affiliations ,2001 Described as Who owns whom the family tree of every major corporation in America the directory is indexed by name parent and subsidiary geographic location Standard Industrial Classification SIC Code and corporate responsibility **Fiat 128 Owners Workshop Manual** John Harold Haynes,John Charles Larminie,1978 *Fiat owner's workshop manual* John Harold Haynes,J. C. Larminie,1973

If you ally infatuation such a referred **Fiat Ducato A Service Manual** book that will provide you worth, acquire the certainly best seller from us currently from several preferred authors. If you want to hilarious books, lots of novels, tale, jokes, and more fictions collections are also launched, from best seller to one of the most current released.

You may not be perplexed to enjoy all ebook collections Fiat Ducato A Service Manual that we will certainly offer. It is not on the costs. Its practically what you compulsion currently. This Fiat Ducato A Service Manual, as one of the most practicing sellers here will no question be accompanied by the best options to review.

https://www.portal.goodeyes.com/data/publication/index.jsp/early_latin_commentaries_on_the_apocalypse_teams_secular_commentary.pdf

Table of Contents Fiat Ducato A Service Manual

1. Understanding the eBook Fiat Ducato A Service Manual
 - The Rise of Digital Reading Fiat Ducato A Service Manual
 - Advantages of eBooks Over Traditional Books
2. Identifying Fiat Ducato A Service Manual
 - Exploring Different Genres
 - Considering Fiction vs. Non-Fiction
 - Determining Your Reading Goals
3. Choosing the Right eBook Platform
 - Popular eBook Platforms
 - Features to Look for in an Fiat Ducato A Service Manual
 - User-Friendly Interface
4. Exploring eBook Recommendations from Fiat Ducato A Service Manual
 - Personalized Recommendations
 - Fiat Ducato A Service Manual User Reviews and Ratings
 - Fiat Ducato A Service Manual and Bestseller Lists

5. Accessing Fiat Ducato A Service Manual Free and Paid eBooks
 - Fiat Ducato A Service Manual Public Domain eBooks
 - Fiat Ducato A Service Manual eBook Subscription Services
 - Fiat Ducato A Service Manual Budget-Friendly Options
6. Navigating Fiat Ducato A Service Manual eBook Formats
 - ePub, PDF, MOBI, and More
 - Fiat Ducato A Service Manual Compatibility with Devices
 - Fiat Ducato A Service Manual Enhanced eBook Features
7. Enhancing Your Reading Experience
 - Adjustable Fonts and Text Sizes of Fiat Ducato A Service Manual
 - Highlighting and Note-Taking Fiat Ducato A Service Manual
 - Interactive Elements Fiat Ducato A Service Manual
8. Staying Engaged with Fiat Ducato A Service Manual
 - Joining Online Reading Communities
 - Participating in Virtual Book Clubs
 - Following Authors and Publishers Fiat Ducato A Service Manual
9. Balancing eBooks and Physical Books Fiat Ducato A Service Manual
 - Benefits of a Digital Library
 - Creating a Diverse Reading Collection Fiat Ducato A Service Manual
10. Overcoming Reading Challenges
 - Dealing with Digital Eye Strain
 - Minimizing Distractions
 - Managing Screen Time
11. Cultivating a Reading Routine Fiat Ducato A Service Manual
 - Setting Reading Goals Fiat Ducato A Service Manual
 - Carving Out Dedicated Reading Time
12. Sourcing Reliable Information of Fiat Ducato A Service Manual
 - Fact-Checking eBook Content of Fiat Ducato A Service Manual
 - Distinguishing Credible Sources
13. Promoting Lifelong Learning

- Utilizing eBooks for Skill Development
 - Exploring Educational eBooks
14. Embracing eBook Trends
- Integration of Multimedia Elements
 - Interactive and Gamified eBooks

Fiat Ducato A Service Manual Introduction

In today's digital age, the availability of Fiat Ducato A Service Manual books and manuals for download has revolutionized the way we access information. Gone are the days of physically flipping through pages and carrying heavy textbooks or manuals. With just a few clicks, we can now access a wealth of knowledge from the comfort of our own homes or on the go. This article will explore the advantages of Fiat Ducato A Service Manual books and manuals for download, along with some popular platforms that offer these resources. One of the significant advantages of Fiat Ducato A Service Manual books and manuals for download is the cost-saving aspect. Traditional books and manuals can be costly, especially if you need to purchase several of them for educational or professional purposes. By accessing Fiat Ducato A Service Manual versions, you eliminate the need to spend money on physical copies. This not only saves you money but also reduces the environmental impact associated with book production and transportation. Furthermore, Fiat Ducato A Service Manual books and manuals for download are incredibly convenient. With just a computer or smartphone and an internet connection, you can access a vast library of resources on any subject imaginable. Whether you're a student looking for textbooks, a professional seeking industry-specific manuals, or someone interested in self-improvement, these digital resources provide an efficient and accessible means of acquiring knowledge. Moreover, PDF books and manuals offer a range of benefits compared to other digital formats. PDF files are designed to retain their formatting regardless of the device used to open them. This ensures that the content appears exactly as intended by the author, with no loss of formatting or missing graphics. Additionally, PDF files can be easily annotated, bookmarked, and searched for specific terms, making them highly practical for studying or referencing. When it comes to accessing Fiat Ducato A Service Manual books and manuals, several platforms offer an extensive collection of resources. One such platform is Project Gutenberg, a nonprofit organization that provides over 60,000 free eBooks. These books are primarily in the public domain, meaning they can be freely distributed and downloaded. Project Gutenberg offers a wide range of classic literature, making it an excellent resource for literature enthusiasts. Another popular platform for Fiat Ducato A Service Manual books and manuals is Open Library. Open Library is an initiative of the Internet Archive, a non-profit organization dedicated to digitizing cultural artifacts and making them accessible to the public. Open Library hosts millions of books, including both public domain works and contemporary titles. It also allows users to

borrow digital copies of certain books for a limited period, similar to a library lending system. Additionally, many universities and educational institutions have their own digital libraries that provide free access to PDF books and manuals. These libraries often offer academic texts, research papers, and technical manuals, making them invaluable resources for students and researchers. Some notable examples include MIT OpenCourseWare, which offers free access to course materials from the Massachusetts Institute of Technology, and the Digital Public Library of America, which provides a vast collection of digitized books and historical documents. In conclusion, Fiat Ducato A Service Manual books and manuals for download have transformed the way we access information. They provide a cost-effective and convenient means of acquiring knowledge, offering the ability to access a vast library of resources at our fingertips. With platforms like Project Gutenberg, Open Library, and various digital libraries offered by educational institutions, we have access to an ever-expanding collection of books and manuals. Whether for educational, professional, or personal purposes, these digital resources serve as valuable tools for continuous learning and self-improvement. So why not take advantage of the vast world of Fiat Ducato A Service Manual books and manuals for download and embark on your journey of knowledge?

FAQs About Fiat Ducato A Service Manual Books

1. Where can I buy Fiat Ducato A Service Manual books? Bookstores: Physical bookstores like Barnes & Noble, Waterstones, and independent local stores. Online Retailers: Amazon, Book Depository, and various online bookstores offer a wide range of books in physical and digital formats.
2. What are the different book formats available? Hardcover: Sturdy and durable, usually more expensive. Paperback: Cheaper, lighter, and more portable than hardcovers. E-books: Digital books available for e-readers like Kindle or software like Apple Books, Kindle, and Google Play Books.
3. How do I choose a Fiat Ducato A Service Manual book to read? Genres: Consider the genre you enjoy (fiction, non-fiction, mystery, sci-fi, etc.). Recommendations: Ask friends, join book clubs, or explore online reviews and recommendations. Author: If you like a particular author, you might enjoy more of their work.
4. How do I take care of Fiat Ducato A Service Manual books? Storage: Keep them away from direct sunlight and in a dry environment. Handling: Avoid folding pages, use bookmarks, and handle them with clean hands. Cleaning: Gently dust the covers and pages occasionally.
5. Can I borrow books without buying them? Public Libraries: Local libraries offer a wide range of books for borrowing. Book Swaps: Community book exchanges or online platforms where people exchange books.

6. How can I track my reading progress or manage my book collection? Book Tracking Apps: Goodreads, LibraryThing, and Book Catalogue are popular apps for tracking your reading progress and managing book collections. Spreadsheets: You can create your own spreadsheet to track books read, ratings, and other details.
7. What are Fiat Ducato A Service Manual audiobooks, and where can I find them? Audiobooks: Audio recordings of books, perfect for listening while commuting or multitasking. Platforms: Audible, LibriVox, and Google Play Books offer a wide selection of audiobooks.
8. How do I support authors or the book industry? Buy Books: Purchase books from authors or independent bookstores. Reviews: Leave reviews on platforms like Goodreads or Amazon. Promotion: Share your favorite books on social media or recommend them to friends.
9. Are there book clubs or reading communities I can join? Local Clubs: Check for local book clubs in libraries or community centers. Online Communities: Platforms like Goodreads have virtual book clubs and discussion groups.
10. Can I read Fiat Ducato A Service Manual books for free? Public Domain Books: Many classic books are available for free as they're in the public domain. Free E-books: Some websites offer free e-books legally, like Project Gutenberg or Open Library.

Find Fiat Ducato A Service Manual :

[early latin commentaries on the apocalypse teams secular commentary](#)

[e z french barrons e z series](#)

dynasty warriors character list

dynamics lab manual anna university

e9 mack engine manual

early category and concept development

earl the elephant saves christmas

[e series daihatsu repair manual](#)

[e220 edi service manual](#)

[earl the emu god promises a rainbow](#)

[early medieval ireland 400 1200 longman history of ireland](#)

e revo owners manual

[eagle talon 92 electrical manual online free](#)

early childhood education building a philosophy for teaching

e commerce books

Fiat Ducato A Service Manual :

dosya marco polo il milione chapter cxxiii and cxxiv jpg - Jan 01 2023

web marco polo il milione chapter cxxiii and cxxiv page from the book the travels of marco polo il milione originally published during polos lifetime 1298 1299 but frequently reprinted and translated livre des merveilles fol 58r

marco polo biography accomplishments facts travels - Aug 08 2023

web nov 1 2023 marco polo born c 1254 venice italy died january 8 1324 venice venetian merchant and adventurer who traveled from europe to asia in 1271 95 remaining in china for 17 of those years and whose il milione the million known in english as the travels of marco polo is a classic of travel literature

il milione the michelin starred italian restaurant youtube - Apr 23 2022

web il milione bar ristorante italiano is named after the fabled book of travels by marco polo the restaurant brings the finest ingredients of italy to hong k

category il milione wikimedia commons - Sep 28 2022

web aug 15 2023 english the travels of marco polo is the usual english title of marco polo s travel book il milione the million the book is his account of his travels to china which he calls cathay north china and manji south china

marco polo wikipedi - Jul 07 2023

web baba niccolò polo anne nicole anna defuseh marco polo nun il milione isimli kitabının sayfalarından biri marco polo d 15 eylül 1254 venedik venedik cumhuriyeti 8 ocak 1324 venedik cumhuriyeti İtalyan gezgin Ünlü kâşif ve tüccar niccolo polo nun oğludur

il milione polo marco amazon com tr kitap - Jun 06 2023

web il merito della fama di marco polo risiede certamente nel suo lunghissimo viaggio e nella sua permanenza in oriente in particolare in cina evento che confluirà nel suo celebre racconto il milione conosciuto anche come il libro delle meraviglie

chapter 1 18 il milione youtube - Mar 23 2022

web jun 7 2020 provided to youtube by bookwirechapter 1 18 il milione marco polo il milione saga egmontreleased on 2020 06 08narrator ginzo robiginzartist marco polo

il milione by marco polo goodreads - Nov 30 2022

web il milione liest sich wie eine verbinding aus märchenbuch reisebericht personen und städtereister und sach und geschichtsbuch ein bisschen erinnern mich die berichte an die reiseführer von baedeker bzw all jene die viel kulturelles

miteinfließen lassen

il milione marco polo free download pdf epub freeditorial - May 25 2022

web nov 23 2012 download il milione free in pdf epub format download marco polo s il milione for your kindle tablet ipad pc or mobile

il milione polo marco amazon com tr kitap - Jul 27 2022

web arama yapmak istediğiniz kategoriye seçin

marco polo s travels was one of the world s first best sellers - Mar 03 2023

web sep 10 2019 the work came to be known as il milione perhaps based on a well known nickname of polo s in the english speaking world the book is often known as the travels of marco polo title page of a

il milione wikipedia - Sep 09 2023

web il milione è il resoconto dei viaggi in asia di marco polo intrapresi assieme al padre niccolò polo e allo zio paterno matteo polo mercanti e viaggiatori veneziani tra il 1271 e il 1295 e le sue esperienze alla corte di kublai khan il più grande sovrano orientale dell epoca del quale marco fu al servizio per quasi 17 anni

il milione marco polo free download borrow and streaming - Aug 28 2022

web oct 3 2017 il milione secondo la riduzione italiana della crusca riscontrata sul manoscritto arricchita e rettificata mediante altri manoscritti italiani marco polo a cura di dante olivieri 2 ed riveduta

marco polo explorer china silk road britannica - Oct 30 2022

web il milione is better understood not as biography but as part of the vernacular didactic literature of which the middle ages offer many examples the work is marked by uncertainty and controversy however the origin of the popular title il

marco polo nun gezileri vikipedi - Feb 02 2023

web marco polo nun gezileri 13 yüzyılda İtalyan gezgin marco polo nun 1276 1291 yılları arasında uzak doğuda yaptığı gezileri ve kubilai han ın yanında geçirdiği yılları içeren rustichello da pisa tarafından derlenen gezi kitabıdır kitap yazarın 1298 ile 1299 yılları arasında bir ceneviz hapishanesinde kaldığı esnada rustichello da pisa adlı dostuna

marco polo tdv İslâm ansiklopedisi - May 05 2023

web İtalyanlar eseri il milione milione başlığıyla anarlar ve bu ismi ataları arasında bulunan emilione adlı bir kişiye dayandırırılar fransızca adı le divisament dou monde olup mevcut en eski tarihli metin bu dildedir İngilizler xix yüzyıl boyunca haklıt society serisi içinde bu seyyahın eserini kendi dillerine kazandırmışlardır

il milione vol 1 song and lyrics by gianluca taglietti spotify - Feb 19 2022

web listen to il milione vol 1 on spotify gianluca taglietti song 2020 gianluca taglietti song 2020 listen to il milione vol 1 on spotify gianluca taglietti song 2020 sign up log in home search your library create your first playlist it s easy we ll

il milione e kitap marco polo pdf d r - Jun 25 2022

web bir marco polo eseri olan il milione e kitap olarak en cazip fiyat ile d r de keşfetmek için hemen tıklayınız

the travels of marco polo wikipedia - Oct 10 2023

web book of the marvels of the world italian il milione lit the million deriving from polo s nickname emilione in english commonly called the travels of marco polo is a 13th century travelogue written down by rustichello da

marco polo wikipedia - Apr 04 2023

web in fact the italian title of his book was il libro di marco polo detto il milione which means the book of marco polo nicknamed milione according to the 15th century humanist giovanni battista ramusio his fellow citizens awarded him this nickname when he came back to venice because he kept on saying that kublai khan s wealth was

un po di compassione rosa luxemburg adelphi edizioni - Jul 12 2023

web un po di compassione con testi di karl kraus un ignota lettrice della fackel franz kafka elias canetti joseph roth a cura di marco rispoli adelphi ebook 2014 pp 65 isbn 9788845974373 temi letterature di lingua tedesca critica della cultura testimonianze 2 99 condividi wishlist dove acquistare autore rosa luxemburg altre edizioni

un po di compassione rosa luxemburg adelphi edizioni - Sep 14 2023

web risolto nel carcere di breslavia pochi mesi prima di venire trucidata rosa luxemburg assiste a una scena di inusitata violenza nei confronti di un bufalo e la descrive in una lettera alla sua amica sonja liebknecht

papa francesco non sto bene di salute la stampa - Mar 28 2022

web nov 6 2023 papa francesco non sto bene di salute poi conferma tutti gli impegni la santa sede È solo un raffreddore il pontefice non legge il discorso previsto nell udienza con i rabbini

un po di compassione by rosa luxemburg books on google play - Apr 09 2023

web un po di compassione ebook written by rosa luxemburg read this book using google play books app on your pc android ios devices download for offline reading highlight bookmark or take notes while you read un po di compassione

un po di compassione ebook epub rosa luxemburg fnac - Jan 06 2023

web nel carcere di breslavia pochi mesi prima di venire trucidata rosa luxemburg assiste a una scena di inusitata violenza nei confronti di un bufalo e la descrive in una lettera alla sua amica sonja liebknecht

translation of un po di collaborazione in english reverse - Jun 30 2022

web tutto quello che sarebbe necessario è un po di collaborazione da parte dei paesi del mondo così occupati a proteggere i loro propri interessi nazionli e la subordinazione degli interessi temporanei dei plutocrati del jet set al futuro della nostra specie

un po di compassione rosa luxemburg recensione libro - Jun 11 2023

web may 10 2018 casa editrice adelphi anno di pubblicazione 2007 nel cortile del carcere di breslavia dove era stata imprigionata nel 1914 rosa luxemburg 1870 1919 assistette a una scena di incredibile

[un po di compassione libreria universitaria](#) - Apr 28 2022

web oct 24 2007 nel carcere di breslavia pochi mesi prima di venire trucidata rosa luxemburg assiste a una scena di inusitata violenza nei confronti di due animali e la descrive in una lettera alla sua amica sonia liebknecht

[un po di compassione ebook di rosa luxemburg epub](#) - Oct 03 2022

web leggi un po di compassione di rosa luxemburg disponibile su rakuten kobo nel carcere di breslavia pochi mesi prima di venire trucidata rosa luxemburg assiste a una scena di inusitata violenza

un po di compassione rosa luxemburg libro libreria ibs - May 10 2023

web descrizione nel carcere di breslavia pochi mesi prima di venire trucidata rosa luxemburg assiste a una scena di inusitata violenza nei confronti di due animali e la descrive in una lettera alla sua amica sonia liebknecht

un po di compassione ebook de rosa luxemburg kobo com - Sep 02 2022

web lisez un po di compassione de rosa luxemburg disponible chez rakuten kobo nel carcere di breslavia pochi mesi prima di venire trucidata rosa luxemburg assiste a una scena di inusitata violenza

[un po di compassione amazon it](#) - Aug 01 2022

web che una grande donna intellettuale militante e martire comunista trovi il tempo e la voglia nel carcere nel quale sta aspettando la sua condanna a morte di aver compassione di un povero animale picchiato e maltrattato è già di per sé una cosa sorprendente

un po di compassione luxemburg rosa libraccio it - Feb 24 2022

web un po di compassione è un ebook di luxemburg rosa pubblicato da adelphi il file è nel formato epub2 libraccio it

[un po di compassione paperback jan 1 2007 amazon ca](#) - Dec 05 2022

web un po di compassione rosa luxemburg 9788845922213 books amazon ca skip to main content ca hello select your address books select the department you want to search in search amazon ca en hello sign in account lists returns

un po di compassione rosa luxemburgo casa del - Mar 08 2023

web rosa luxemburgo 1870 1919 revolucionaria y teórica del socialismo alemán de origen judío polaco hija de un comerciante de varsovia su brillante inteligencia le permitió estudiar a pesar de los prejuicios de la época y de la discriminación que las autoridades zaristas imponían en polonia contra los judíos

[un po di compassione by rosa luxemburg goodreads](#) - Aug 13 2023

web oct 1 2007 3 98 46 ratings3 reviews nel carcere di breslavia pochi mesi prima di venire trucidata rosa luxemburg assiste a una scena di inusitata violenza nei confronti di un bufalo e la descrive in una lettera alla sua amica sonja liebknecht

positive education compassion in children playfacto school - Nov 04 2022

web mar 8 2022 as part of a broader skill set compassion will help them think creatively in situations make decisions that inspire their personal journey and pursue life with purpose here are 5 popular reasons that every parent should teach their kids to be compassionate 1 encourages kindness patience acceptance and tolerance of the self and others

un po di compassione rosa luxemburg libro mondadori store - Feb 07 2023

web nel carcere di breslavia pochi mesi prima di venire trucidata rosa luxemburg assiste a una scena di inusitata violenza nei confronti di due animali e la descrive in una lettera alla sua amica sonia liebknecht

un po di compassione rosa luxemburg libreria it - May 30 2022

web descrizione nel carcere di breslavia pochi mesi prima di venire trucidata rosa luxemburg assiste a una scena di inusitata violenza nei confronti di due animali e la descrive in una lettera alla sua amica sonia liebknecht

un po di compassione translation in english reverse - Oct 15 2023

web non si può fare a meno di avere un po di compassione per giona perché effettivamente aveva passato l inferno e si aspettava una piccola ricompensa you ve got to have a little sympathy for jonah because he did go through the wringer and he was hoping for a little recompense a little pity

die spielse musiker anekdoten über wagner strau - Apr 04 2022

web die spielse musiker anekdoten über wagner strau schubert schumann haydn u ernst decsey 2013 09 in dieser dose sind die stimmen von kunstlern richard wagner gustav mahler wolfgang amadeus mozart und vielen anderen wird in dieser anekdotensammlung des großen wiener musikkritikers ernst decsey ein denkmal gesetzt

die spielse musiker anekdoten über wagner strau - Feb 14 2023

web die spielse musiker anekdoten über wagner strau schubert schumann haydn u v a kartonierter einband 164 seiten print on demand exemplar wird für sie besorgt

die spielse musiker anekdoten über wagner strau - Oct 22 2023

web die spielse musiker anekdoten über wagner strau schubert schumann haydn u v a decsey ernst isbn 9783863476434 kostenloser versand für alle bücher mit versand und verkauf durch amazon

die spielse musiker anekdoten über wagner strau - May 17 2023

web die spielse book read reviews from world s largest community for readers in dieser dose sind die stimmen von kunstlern richard wagner gustav mahle

9783863476434 die spielse musiker anekdoten über wagner strau - Sep 09 2022

web die spielse musiker anekdoten über wagner strau schubert schumann haydn u v a finden sie alle bücher von decsey ernst bei der büchersuchmaschine eurobuch com können sie antiquarische und neubücher vergleichen und sofort zum

bestpreis bestellen 9783863476434 ed gebunden pu severus

die spieldose musiker anekdoten über wagner strauß - Jan 13 2023

web klappentext in dieser dose sind die stimmen von künstlern richard wagner gustav mahler wolfgang amadeus mozart und vielen anderen wird in dieser anekdotensammlung des großen wiener musikkritikers ernst decsey ein denkmal gesetzt das mal zum staunen mal zum schmunzeln anregt und nicht selten zu der erkenntnis führt dass all diesen

die spieldose musiker anekdoten über wagner strau - May 05 2022

web die spieldose musiker anekdoten über wagner strauß schubert schumann haydn u ernst décsey 2013 09 am abend der aufführung beim nachspiel des duetts legt wagner den taktstock aufs pult lässt das orchester

die spieldose musiker anekdoten über wagner strauß - Sep 21 2023

web die spieldose musiker anekdoten über wagner strauß schubert schumann haydn u v a on amazon com au free shipping on eligible orders die spieldose musiker anekdoten über wagner strauß schubert schumann haydn u v a

9783863476434 die spieldose musiker anekdoten über wagner strauß - Dec 12 2022

web abebooks com die spieldose musiker anekdoten über wagner strauß schubert schumann haydn u v a 9783863476434 by décsey ernst and a great selection of similar new used and collectible books available now at great prices

die spieldose musiker anekdoten über wagner strauß - Oct 10 2022

web die spieldose musiker anekdoten über wagner strauß schubert schumann haydn u v a finden sie alle bücher von décsey ernst bei der büchersuchmaschine eurobuch de können sie antiquarische und neubücher vergleichen und sofort zum bestpreis bestellen 9783863476427

die spieldose musiker anekdoten über wagner strau - Jun 06 2022

web die perfekte unterstützung für den einsatz digitaler medien im musikunterricht sie erhalten 33 praxiserprobte ideen die schritt für schritt erklärt werden und auch von laien souverän umgesetzt werden können

die spieldose musiker anekdoten über wagner strauß thalia - Aug 20 2023

web die spieldose musiker anekdoten über wagner strauß schubert schumann haydn u v a von ernst décsey

die spieldose musiker anekdoten über wagner strauß - Jun 18 2023

web in dieser dose sind die stimmen von künstlern richard wagner gustav mahler wolfgang amadeus mozart und vielen anderen wird in dieser anekdotensammlung des großen wiener musikkritikers ernst decsey ein denkmal gesetzt das mal zum staunen mal zum schmunzeln anregt und nicht selten zu der erkenntnis führt dass all diesen genies

die spieldose musiker anekdoten über wagner strauß - Jul 19 2023

web in dieser dose sind die stimmen von künstlern richard wagner gustav mahler wolfgang amadeus mozart und vielen anderen wird in dieser anekdotensammlung des großen wiener musikkritikers

spioldose wikipedia - Mar 03 2022

web die spioldose ist ein selbstspielendes mechanisches musikinstrument daneben gibt es die spieluhr mit mechanischem uhrwerk und uhrfeder die eine melodie spielt bei den spioldosen unterscheidet man zwei arten walzenspioldosen plattenspioldosen spioldose mit drehbarer figur links daneben die mechanik die erfindung der musikdose geht auf *die spioldose musiker anekdoten wagner ab 12 45* - Aug 08 2022

web die spioldose musiker anekdoten wagner ab 12 45 bücher in deutsch 9783863476 9783863476434 die spioldose musiker anekdoten von dem buch die spioldose musiker anekdoten wagner strauß schubert schumann haydn u v a hardback haben wir 2 gleiche oder sehr ähnliche ausgaben identifiziert

die spioldose musiker anekdoten über wagner strauß - Apr 16 2023

web die spioldose musiker anekdoten über wagner strauß schubert schumann haydn u v a von décsey ernst isbn 10 3863476433 isbn 13 9783863476434 severus verlag 2021 hardcover

die spioldose musiker anekdoten über wagner strauß - Nov 11 2022

web die spioldose musiker anekdoten über wagner strauß schubert schumann haydn u v a musiker anekdoten über wagner strauß schubert schumann haydn u v a autor ernst décsey jetzt bewerten merken teilen

die spioldose musiker anekdoten über wagner strauß - Mar 15 2023

web die spioldose musiker anekdoten über wagner strauß schubert schumann haydn u v a von ernst décsey severus verlag sku 978 3 86347 643 4 format hardcover hardcover preis 29 50 inkl mwst versandkosten werden im checkout berechnet menge zum warenkorb no reviews beschreibung

die spioldose musiker anekdoten ber wagner strau alibris - Jul 07 2022

web in dieser dose sind die stimmen von k nstlern richard wagner gustav mahler wolfgang amadeus mozart und vielen anderen wird in dieser anekdotensammlung des gro en wiener musikkritikers ernst decsey ein denkmal gesetzt das mal zum staunen mal zum schmunzeln anregt und nicht selten zu der erkenntnis f hrt dass all diesen