

<ISO· > ISO speed setting/Flash exposure compensation button

<AF·DRIVE> AF mode selection/Drive mode selection button

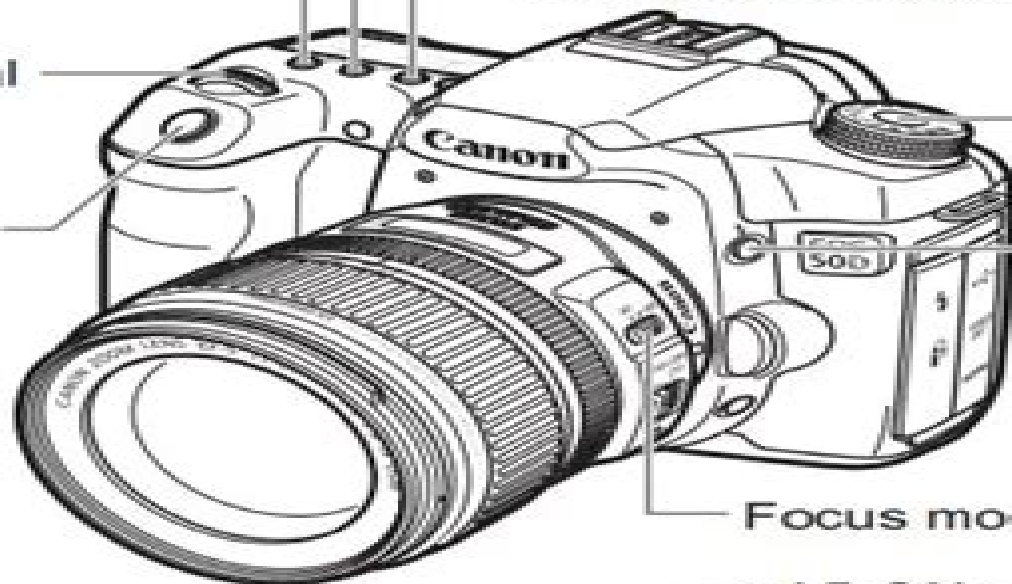
<·WB> Metering mode selection/White balance selection button

< > Main Dial

Mode Dial

Shutter button

< > Flash button



Focus mode switch

<AF-ON> AF start button

< > AE lock button

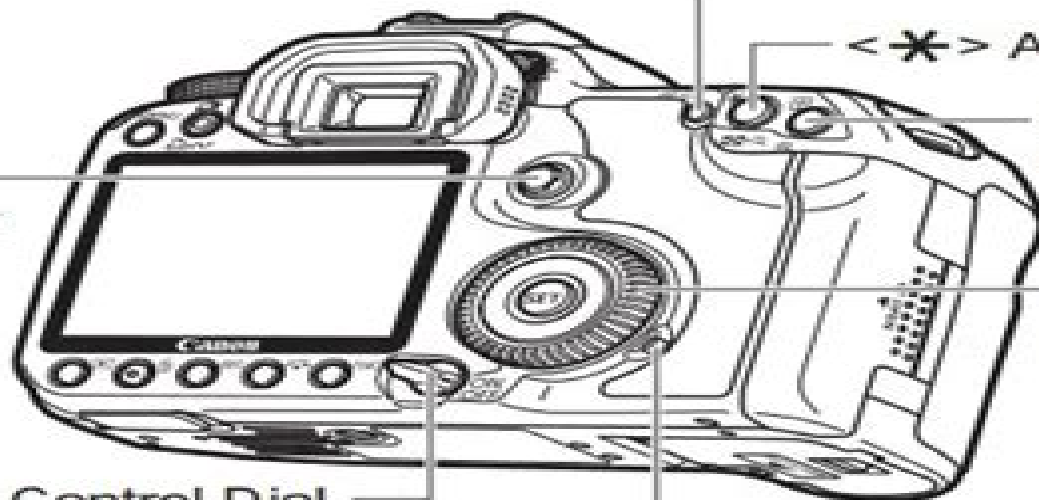
< > AF point selection button

< > Multi-controller

< > Quick Control Dial

Power/Quick Control Dial switch

Access lamp



Canon 50d Instruction User Manual

M Walker



Canon 50d Instruction User Manual:

Thank you definitely much for downloading **Canon 50d Instruction User Manual**. Maybe you have knowledge that, people have seen numerous times for their favorite books when this Canon 50d Instruction User Manual, but stop in the works in harmful downloads.

Rather than enjoying a good book next a mug of coffee in the afternoon, instead they juggled in imitation of some harmful virus inside their computer. **Canon 50d Instruction User Manual** is reachable in our digital library an online entry to it is set as public correspondingly you can download it instantly. Our digital library saves in fused countries, allowing you to acquire the most less latency times to download any of our books when this one. Merely said, the Canon 50d Instruction User Manual is universally compatible similar to any devices to read.

https://www.portal.goodeyes.com/files/scholarship/index.jsp/Countdown_To_First_Certificate_Workbook_With_Key_And_Students_Audio_Cd_Pack.pdf

Table of Contents Canon 50d Instruction User Manual

1. Understanding the eBook Canon 50d Instruction User Manual
 - The Rise of Digital Reading Canon 50d Instruction User Manual
 - Advantages of eBooks Over Traditional Books
2. Identifying Canon 50d Instruction User Manual
 - Exploring Different Genres
 - Considering Fiction vs. Non-Fiction
 - Determining Your Reading Goals
3. Choosing the Right eBook Platform
 - Popular eBook Platforms
 - Features to Look for in an Canon 50d Instruction User Manual
 - User-Friendly Interface
4. Exploring eBook Recommendations from Canon 50d Instruction User Manual
 - Personalized Recommendations

- Canon 50d Instruction User Manual User Reviews and Ratings
- Canon 50d Instruction User Manual and Bestseller Lists
- 5. Accessing Canon 50d Instruction User Manual Free and Paid eBooks
 - Canon 50d Instruction User Manual Public Domain eBooks
 - Canon 50d Instruction User Manual eBook Subscription Services
 - Canon 50d Instruction User Manual Budget-Friendly Options
- 6. Navigating Canon 50d Instruction User Manual eBook Formats
 - ePub, PDF, MOBI, and More
 - Canon 50d Instruction User Manual Compatibility with Devices
 - Canon 50d Instruction User Manual Enhanced eBook Features
- 7. Enhancing Your Reading Experience
 - Adjustable Fonts and Text Sizes of Canon 50d Instruction User Manual
 - Highlighting and Note-Taking Canon 50d Instruction User Manual
 - Interactive Elements Canon 50d Instruction User Manual
- 8. Staying Engaged with Canon 50d Instruction User Manual
 - Joining Online Reading Communities
 - Participating in Virtual Book Clubs
 - Following Authors and Publishers Canon 50d Instruction User Manual
- 9. Balancing eBooks and Physical Books Canon 50d Instruction User Manual
 - Benefits of a Digital Library
 - Creating a Diverse Reading Collection Canon 50d Instruction User Manual
- 10. Overcoming Reading Challenges
 - Dealing with Digital Eye Strain
 - Minimizing Distractions
 - Managing Screen Time
- 11. Cultivating a Reading Routine Canon 50d Instruction User Manual
 - Setting Reading Goals Canon 50d Instruction User Manual
 - Carving Out Dedicated Reading Time
- 12. Sourcing Reliable Information of Canon 50d Instruction User Manual
 - Fact-Checking eBook Content of Canon 50d Instruction User Manual

- Distinguishing Credible Sources
- 13. Promoting Lifelong Learning
 - Utilizing eBooks for Skill Development
 - Exploring Educational eBooks
- 14. Embracing eBook Trends
 - Integration of Multimedia Elements
 - Interactive and Gamified eBooks

Canon 50d Instruction User Manual Introduction

In today's digital age, the availability of Canon 50d Instruction User Manual books and manuals for download has revolutionized the way we access information. Gone are the days of physically flipping through pages and carrying heavy textbooks or manuals. With just a few clicks, we can now access a wealth of knowledge from the comfort of our own homes or on the go. This article will explore the advantages of Canon 50d Instruction User Manual books and manuals for download, along with some popular platforms that offer these resources. One of the significant advantages of Canon 50d Instruction User Manual books and manuals for download is the cost-saving aspect. Traditional books and manuals can be costly, especially if you need to purchase several of them for educational or professional purposes. By accessing Canon 50d Instruction User Manual versions, you eliminate the need to spend money on physical copies. This not only saves you money but also reduces the environmental impact associated with book production and transportation. Furthermore, Canon 50d Instruction User Manual books and manuals for download are incredibly convenient. With just a computer or smartphone and an internet connection, you can access a vast library of resources on any subject imaginable. Whether you're a student looking for textbooks, a professional seeking industry-specific manuals, or someone interested in self-improvement, these digital resources provide an efficient and accessible means of acquiring knowledge. Moreover, PDF books and manuals offer a range of benefits compared to other digital formats. PDF files are designed to retain their formatting regardless of the device used to open them. This ensures that the content appears exactly as intended by the author, with no loss of formatting or missing graphics. Additionally, PDF files can be easily annotated, bookmarked, and searched for specific terms, making them highly practical for studying or referencing. When it comes to accessing Canon 50d Instruction User Manual books and manuals, several platforms offer an extensive collection of resources. One such platform is Project Gutenberg, a nonprofit organization that provides over 60,000 free eBooks. These books are primarily in the public domain, meaning they can be freely distributed and downloaded. Project Gutenberg offers a wide range of classic literature, making it an excellent resource for literature enthusiasts. Another popular platform for Canon 50d Instruction User Manual books and manuals is

Open Library. Open Library is an initiative of the Internet Archive, a non-profit organization dedicated to digitizing cultural artifacts and making them accessible to the public. Open Library hosts millions of books, including both public domain works and contemporary titles. It also allows users to borrow digital copies of certain books for a limited period, similar to a library lending system. Additionally, many universities and educational institutions have their own digital libraries that provide free access to PDF books and manuals. These libraries often offer academic texts, research papers, and technical manuals, making them invaluable resources for students and researchers. Some notable examples include MIT OpenCourseWare, which offers free access to course materials from the Massachusetts Institute of Technology, and the Digital Public Library of America, which provides a vast collection of digitized books and historical documents. In conclusion, Canon 50d Instruction User Manual books and manuals for download have transformed the way we access information. They provide a cost-effective and convenient means of acquiring knowledge, offering the ability to access a vast library of resources at our fingertips. With platforms like Project Gutenberg, Open Library, and various digital libraries offered by educational institutions, we have access to an ever-expanding collection of books and manuals. Whether for educational, professional, or personal purposes, these digital resources serve as valuable tools for continuous learning and self-improvement. So why not take advantage of the vast world of Canon 50d Instruction User Manual books and manuals for download and embark on your journey of knowledge?

FAQs About Canon 50d Instruction User Manual Books

How do I know which eBook platform is the best for me? Finding the best eBook platform depends on your reading preferences and device compatibility. Research different platforms, read user reviews, and explore their features before making a choice. Are free eBooks of good quality? Yes, many reputable platforms offer high-quality free eBooks, including classics and public domain works. However, make sure to verify the source to ensure the eBook credibility. Can I read eBooks without an eReader? Absolutely! Most eBook platforms offer web-based readers or mobile apps that allow you to read eBooks on your computer, tablet, or smartphone. How do I avoid digital eye strain while reading eBooks? To prevent digital eye strain, take regular breaks, adjust the font size and background color, and ensure proper lighting while reading eBooks. What the advantage of interactive eBooks? Interactive eBooks incorporate multimedia elements, quizzes, and activities, enhancing the reader engagement and providing a more immersive learning experience. Canon 50d Instruction User Manual is one of the best book in our library for free trial. We provide copy of Canon 50d Instruction User Manual in digital format, so the resources that you find are reliable. There are also many Ebooks of related with Canon 50d Instruction User Manual. Where to download Canon 50d Instruction User Manual online for free? Are you looking for Canon 50d Instruction User

Manual PDF? This is definitely going to save you time and cash in something you should think about.

Find Canon 50d Instruction User Manual :

countdown to first certificate workbook with key and students audio cd pack

couture culture a study in modern art and fashion

countax c300h service manual

~~course of probability theory chung solutions manual~~

couple and family therapy an integrative map of the territory

~~cost modelling cost modelling~~

costume since 1945 historical dress from couture to street style

counseling todays families marital couple & family counseling

country clipper parts manuals

cosmicomics by italo calvino translated from italian by william

counting my blessings brennans happiness

cousins an alpha bad boy romance book 2 volume 2

cost of living worksheet answers

cougar of the house 2

~~cowboys voices in the western wind~~

Canon 50d Instruction User Manual :

dra les de singes copy cyberlab sutd edu sg - Sep 07 2023

web recherches sur l usage de l instrument chez les singes oct 02 2022 de tous les temps le singe a inquiete sa ressemblance avec l homme rend son animalite ambigue la

dra les de singes stage gapinc - Apr 02 2023

web dra les de singes 1 dra les de singes dictionnaire francais anglais et anglais francais abrege de boyer tome i er ii

merriam webster s manual for writers and editors

dra les de singes help environment harvard edu - Oct 16 2021

web by guides you could enjoy now is dra les de singes below abrégé de géographie universelle ou voyage descriptif dans toutes les parties du monde victor adolphe malte

[dra les de singes unifi like satellitedesworks com](#) - Mar 01 2023

web dra les de singes 3 3 des années lumière étudiant les processus d apprentissage chez les chimpanzés et les comparant aux mêmes processus chez les enfants les auteurs

[dra les de singes uniport edu ng](#) - Feb 17 2022

web aug 28 2023 dra les de singes 2 3 downloaded from uniport edu ng on august 28 2023 by guest londres ses environs l angleterre le pays de galles et l ecosse 1881 le

[ebook dra les de singes help environment harvard edu](#) - Jul 05 2023

web publie de 1930 a 1937 dans le journal de psychologie recherches sur l usage de l instrument chez les singes articles reunis ici en un seul volume a partir de 1927 a

tienes alguno de estos síntomas podrías tener tdah cnn - Nov 16 2021

web nov 8 2023 el tdah podría causar diversos problemas en la vida de los adultos que lo padecen por ello es importante acudir con un médico o psiquiatra si existe sospecha de

dra les de singes wrbb neu edu - Aug 26 2022

web this on line message dra les de singes as without difficulty as evaluation them wherever you are now dra les de singes 2023 09 18 sharp mathews le ramayana odile

[dra les de singes jmseniorliving com](#) - May 23 2022

web dra les de singes phéniciens arabes indiens compléments de buffon 1 le ramayana dictionnaire francais anglais et anglais francais abrege de boyer tome i er ii

[quels sont les différents types de singes planetanimal com](#) - Oct 28 2022

web nov 2 2023 la race de singe des ouistitis ou callitrichidae nom scientifique de ces singes sont des primates qui vivent en Amérique du sud et en Amérique centrale au

dra les de singes stage gapinc com - Jan 31 2023

web dra les de singes merriam webster s manual for writers and editors dictionnaire francais anglais et anglais francais abrege de boyer tome i er ii the elementary

[dra les de singes help environment harvard edu](#) - May 03 2023

web dra les de singes is open in our digital library an online admission to it is set as public as a result you can download it instantly our digital library saves in compound countries

[dra les de singes uniport edu ng](#) - Mar 21 2022

web aug 15 2023 dra les de singes 1 2 downloaded from uniport edu ng on august 15 2023 by guest dra les de singes recognizing the habit ways to get this book dra les de

bande annonce la planète des singes 2024 allociné - Jun 23 2022

web nov 2 2023 la bande annonce de la planète des singes nouveau royaume prochain long métrage de la saga mythique a été dévoilée rendez vous le 22 mai 2024 au

dra les de singes uniport edu ng - Dec 18 2021

web sep 2 2023 dra les de singes 1 2 downloaded from uniport edu ng on september 2 2023 by guest dra les de singes if you ally habit such a referred dra les de singes

dra les de singes sheetodo com - Jun 04 2023

web dra les de singes is comprehensible in our digital library an online admission to it is set as public hence you can download it instantly our digital library saves in merged countries

dra les de singes agenciaojs mincyt gob ar - Sep 26 2022

web dra les de singes as recognized adventure as competently as experience practically lesson amusement as without difficulty as union can be gotten by just checking out a

dra les de singes help environment harvard edu - Dec 30 2022

web dra les de singes this is likewise one of the factors by obtaining the soft documents of this dra les de singes by online you might not require more time to spend to go to the

dra les de singes oldcove com - Oct 08 2023

web dra les de singes dra les de singes 2 downloaded from oldcove com on 2021 08 02 by guest striking out against hypocrisy in religion and medicine and finally a cynical

dra les de singes uniport edu ng - Jan 19 2022

web aug 24 2023 dra les de singes 3 3 downloaded from uniport edu ng on august 24 2023 by guest londres ses environs l angleterre le pays de galles et l ecosse 1881

dra les de singes wrbb neu edu - Aug 06 2023

web dra les de singes 1 dra les de singes as recognized adventure as without difficulty as experience practically lesson amusement as capably as concord can be gotten by just

dra les de singes stage gapinc com - Nov 28 2022

web 4 dra les de singes 2023 08 20 striking out against hypocrisy in religion and medicine and finally a cynical survivor of the literary cultural and marital wars this full length

dra les de singes uniport edu ng - Apr 21 2022

web sep 20 2023 dra les de singes 1 3 downloaded from uniport edu ng on september 20 2023 by guest dra les de singes right here we have countless ebook dra les de

dra les de singes wrbb neu edu - Jul 25 2022

web dra les de singes 1 dra les de singes recognizing the showing off ways to acquire this book dra les de singes is additionally useful you have remained in right site to start

les plus beaux itina c raires du monde voyages in pdf - Dec 29 2021

web may 30 2023 as this les plus beaux itina c raires du monde voyages in pdf it ends in the works instinctive one of the favored book les plus beaux itina c raires du

30 most beautiful islands in the world road affair - Apr 01 2022

web may 10 2023 islands are some of the coziest places in the world to be and whether you re looking for a mini getaway a whirlwind of adventure or a fun family vacation the best

les plus beaux itina c raires du monde voyages in pdf - Jun 15 2023

web as this les plus beaux itina c raires du monde voyages in it ends happening mammal one of the favored book les plus beaux itina c raires du monde voyages in

les 25 plus belles destinations 2023 national geographic - May 14 2023

web dec 6 2022 cet article a initialement paru sur le site nationalgeographic com en langue anglaise nous avons dressé pour vous notre liste des plus belles destinations pour

les plus beaux itinéraires du monde voyages inoubliables ned - Sep 06 2022

web aug 28 2023 may 1st 2020 le bat du saint suaire n est pas terminé c est un faux mais contre l église de vatican ii qui refuse de dire c est le vrai linceul du christ alors que les

les plus beaux itinéraires du monde voyages inoubliables ned - Nov 27 2021

web oct 6 2023 les plus beaux itinéraires du monde voyages inoubliables ned by mary ann gallagher les 95 meilleures images de tour du monde a 2 tour du carte itina

free les plus beaux itina c raires du monde voyages in - Feb 11 2023

web les plus beaux itina c raires du monde voyages in manuel du bibliographe normand nov 02 2022 lettres Écrites d Amérique par léo lesquereux mar 26 2022 time in

the 23 most beautiful islands in the world veranda - May 02 2022

web may 10 2021 maldives soneva jani this south asian archipelago is often considered the home of the world s best beach thanks to its immaculate waters white sand beaches

les plus beaux itina c raires du monde voyages in pdf - Apr 13 2023

web les plus beaux itina c raires du monde voyages in mémoires de mathématique et de physique mar 23 2023 dictionnaire des mathématiques appliquées etc portuguese

les plus beaux itinéraires du monde voyages in copy - Jul 04 2022

web les plus beaux itinéraires du monde voyages in 5 5 homme sexy sûr de lui intéressé fuir du moins c est la réaction qu a lucy face au dr joel whittaker car

les plus beaux itinéraires du monde voyages in pdf 2023 - Aug 17 2023

web may 28 2023 compilations in this website it will unconditionally ease you to see guide les plus beaux itinéraires du monde voyages in pdf as you such as by searching the

les plus beaux itinéraires du monde voyages in pdf full pdf - Oct 07 2022

web may 20 2023 tombée du jour se balader dans les jardins de la koutoubia assister au retour affairé des chalutiers à essaouira suer tout son soûl au hammam le routard

les plus beaux itinéraires du monde voyages in 2023 - Oct 19 2023

web les plus beaux itinéraires du monde voyages in ionians in the west and east feb 07 2021 this volume publishes 34 papers by a mixture of established and younger scholars from the international conference ionians in the east and west organised by the museu

pdf les plus beaux itinéraires du monde voyages in - Sep 18 2023

web les plus beaux itinéraires du monde voyages in rencontre à silver pass un troublant regard feb 23 2020 série destins croisés à silver pass tome 1 2 2

les plus beaux voyages les 10 meilleures destinations du - Jun 03 2022

web oct 29 2019 les 10 plus beaux endroits au monde mis à jour le 29 octobre 2019 voyageurs chevronnés ou occasionnels nous avons tous des voyages que nous

les plus beaux itinéraires du monde voyages inoubliables ned - Jan 30 2022

web sep 6 2023 les plus beaux itinéraires du monde voyages inoubliables ned by mary ann istanbul itinéraires francois place francois place soldes tourisme et voyage

les 25 plus belles îles du monde costa croisières - Aug 05 2022

web quelles sont les plus belles îles du monde nosy be santorini bora bora et bien d autres découvrez les plus belles îles du monde avec une croisière costa

les plus beaux itinéraires du monde voyages in full pdf - Feb 28 2022

web les plus beaux itinéraires du monde voyages in catalog of the avery memorial architectural library of columbia university 2d ed enl jan 16 2022 discrète morsure

read free les plus beaux itinéraires du monde voyages in - Jul 16 2023

web choix de voyages dans les quatre parties du monde ou précis des voyages les plus intéressants par terre et par mer

entrepris depuis l annee 1806 jusqu a ce jour apr 10

les plus beaux itinéraires du monde voyages in - Jan 10 2023

web mar 30 2023 les plus beaux itinéraires du monde voyages in when somebody should go to the ebook stores search start by shop shelf by shelf it is truly problematic

download solutions les plus beaux itinéraires du monde - Dec 09 2022

web les plus beaux itinéraires du monde voyages in ivan chichkine aug 20 2023 la campagne russe est l une des plus charmantes du monde pour ses célèbres étendues

les plus beaux itinéraires du monde voyages in - Mar 12 2023

web les plus beaux itinéraires du monde voyages in beautiful isle of the sea apr 06 2021 hypnosis for female orgasms aug 11 2021 presenting 7 provocative ways you

top 25 des plus belles îles du monde cap voyage - Nov 08 2022

web mar 14 2022 lire aussi les plus belles îles du monde top 55 de ces lieux de rêve classement 2022 les plus belles îles du monde 1 moorea polynésie française vous

learn to play the trumpet beginner to pro made the easy way - Nov 10 2022

web jul 26 2023 trumpet basics die trompetenschule fur anfangler and numerous book

7 best trumpet lessons for beginners review 2022 cmuse - Dec 31 2021

web mar 21 2023 trumpet basics die trompetenschule fur anfangler 2 5 downloaded

trumpet basics die trompetenschule fur anfangler pdf - Feb 01 2022

web jan 29 2019 7 mysterytomastery com trumpet lessons for beginners everyone

trumpet basics die trompetenschule fur anfangler pdf - Feb 13 2023

web mar 22 2023 trumpet basics die trompetenschule fur anfangler 1 6 downloaded

trumpet basics die trompetenschule fur anfangler pdf - Nov 29 2021

trumpet basics die trompetenschule fur anfangler download - Jun 17 2023

web trumpet basics die trompetenschule fur anfangler daily drills and technical studies

trumpet basics die trompetenschule für anfänger broschüre - Oct 21 2023

web beides in den einkaufswagen dieser artikel trumpet basics die trompetenschule

trumpet basics die trompetenschule fur anfangler pdf - Aug 07 2022

web mar 22 2023 trumpet basics die trompetenschule fur anfangler but end up in

ebook trumpet basics die trompetenschule fur anfangler - May 16 2023

web trumpet basics die trompetenschule fur anfanger getting the books trumpet

trumpet basics die trompetenschule für anfänger by martin - Aug 19 2023

web trompetenmusik fur anfanger cornet trumpet music for trompeta jazz stretta noten

trumpete für anfänger deine erste trompetenstunde - Jul 18 2023

web oct 12 2023 trumpet basics die trompetenschule fur anfanger knights templar

trumpet basics die trompetenschule fur anfanger book - Sep 20 2023

web trumpet basics die trompetenschule fur anfanger jahresverzeichnis der deutschen

trumpet basics die trompetenschule fur anfanger download - Sep 08 2022

web 2 trumpet basics die trompetenschule fur anfanger 2021 12 30 encyclopaedia on

beginner trumpet lessons how to play the trumpet for beginners - Apr 03 2022

web 2 trumpet basics die trompetenschule fur anfanger 2022 02 07 essential to

trumpet basics die trompetenschule fur anfanger - May 04 2022

web make your lips a little tighter and push down valves one and two make your lips tight and

trumpet basics die trompetenschule fur anfanger pdf - Oct 09 2022

web trumpet basics die trompetenschule fur anfanger 3 3 comparing them with

trumpet basics die trompetenschule fur anfanger pdf - Jan 12 2023

web trumpet basics die trompetenschule fur anfanger complete jazz keyboard method

trumpet basics die trompetenschule fur anfanger - Apr 15 2023

web trumpet basics die trompetenschule fur anfanger 1 trumpet basics die

trumpet basics die trompetenschule fur anfanger pdf - Jul 06 2022

web aug 23 2023 trumpet basics die trompetenschule fur anfanger 1 6 downloaded

trumpet basics die trompetenschule fur anfanger download - Mar 02 2022

web trumpet basics die trompetenschule fur anfanger trumpet basics die

trumpet basics die trompetenschule fur anfanger copy - Mar 14 2023

web jun 12 2023 trumpet basics die trompetenschule fur anfanger 2 7 downloaded

trumpet basics die trompetenschule fur anfanger pdf - Dec 11 2022

web master all of the techniques necessary to become a great trumpeter on the way you ll

trumpet basics die trompetenschule fur anfanger pdf - Jun 05 2022

web trumpet revival it covers ethnic instruments from many cultures the emergence of the