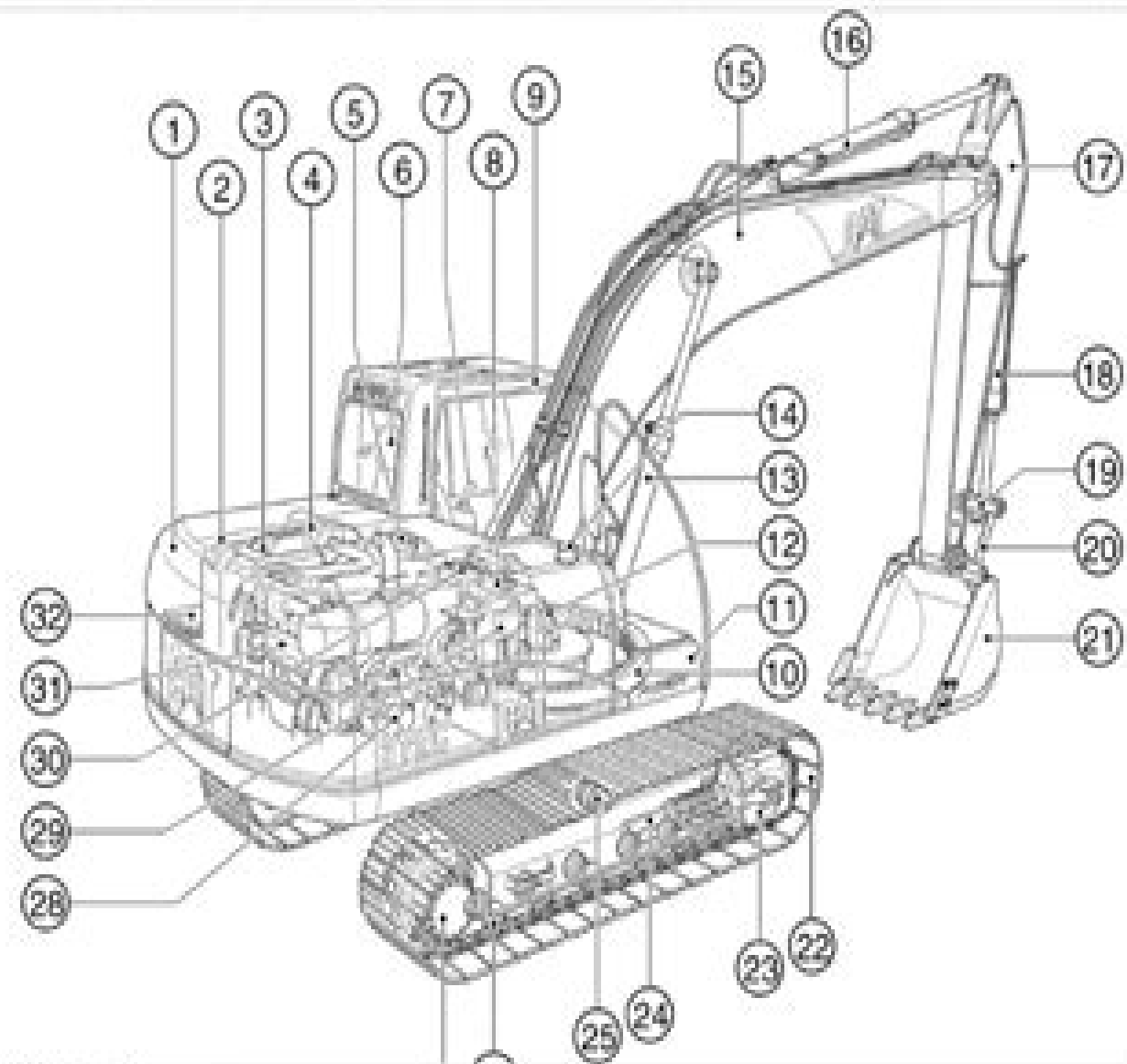


Bookmarks X

- INNER COVER
- HOW TO USE THE PARTS MANUAL
- MODEL VIEW
- REPLACEMENT ITEMS
- LIST OF ATTACHMENTS
- INDEX
- 11
- 11.01
- 11.02
- 12
- 13
- 14
- 15
- 16
- 17



Caterpillar 312c Excavator Manual

Caterpillar Inc. Peoria, Ill..



Caterpillar 312c Excavator Manual:

State of Colorado Mobile Equipment Manual ,2006
Maintenance Manual Caterpillar Inc. Peoria, Ill.,1994
Maintenance Manual Caterpillar Inc.Peoria, Ill.,1994
Ill.,1994 *Caterpillar 225 Excavator* Caterpillar Tractor Co,
Parts Manual Caterpillar Inc. Peoria, Ill.,1996 Caterpillar 245B Excavator Caterpillar Tractor Co,1986
Caterpillar 375, 375L Excavator Specifications, Etc Caterpillar Tractor Co,1991 **Operation & Maintenance Manual**
Caterpillar Inc. Peoria, Ill.,1988 *Operation & Maintenance Manual* Caterpillar Inc. Peoria, Ill.,1992 *Operation &*
Maintenance Manual Caterpillar Inc.Peoria, Ill.,1998 **Operation & Maintenance Manual** Caterpillar Inc.Peoria,
Ill.,1995 **Operation & Maintenance Manual** Caterpillar Inc,1996 *Operation & Maintenance Manual* Caterpillar
Inc. Peoria, Ill.,1992 Operation & Maintenance Manual Caterpillar Inc.Peoria, Ill.,1993 **Operation & Maintenance**
Manual Caterpillar Inc.Peoria, Ill.,1994 Operation & Maintenance Manual Caterpillar Inc. Peoria, Ill.,1992

Michigan Roads and Construction ,2001 Operation &
Parts Manual Caterpillar Inc. Peoria, Ill.,1993 Operation &
Operation & Maintenance Manual Caterpillar Inc.Peoria,
Caterpillar 215 Excavator Caterpillar Tractor Co,1979
Caterpillar 245B Excavator Caterpillar Tractor Co,1986

Caterpillar 312c Excavator Manual Book Review: Unveiling the Magic of Language

In an electronic era where connections and knowledge reign supreme, the enchanting power of language has are more apparent than ever. Its capability to stir emotions, provoke thought, and instigate transformation is truly remarkable. This extraordinary book, aptly titled "**Caterpillar 312c Excavator Manual**," compiled by a very acclaimed author, immerses readers in a captivating exploration of the significance of language and its profound affect our existence. Throughout this critique, we will delve into the book is central themes, evaluate its unique writing style, and assess its overall influence on its readership.

<https://www.portal.goodeyes.com/files/detail/index.jsp/ford%20fiesta%20workshop%20manual%20thermostat%20removal.pdf>

Table of Contents Caterpillar 312c Excavator Manual

1. Understanding the eBook Caterpillar 312c Excavator Manual
 - The Rise of Digital Reading Caterpillar 312c Excavator Manual
 - Advantages of eBooks Over Traditional Books
2. Identifying Caterpillar 312c Excavator Manual
 - Exploring Different Genres
 - Considering Fiction vs. Non-Fiction
 - Determining Your Reading Goals
3. Choosing the Right eBook Platform
 - Popular eBook Platforms
 - Features to Look for in an Caterpillar 312c Excavator Manual
 - User-Friendly Interface
4. Exploring eBook Recommendations from Caterpillar 312c Excavator Manual
 - Personalized Recommendations
 - Caterpillar 312c Excavator Manual User Reviews and Ratings

- Caterpillar 312c Excavator Manual and Bestseller Lists
- 5. Accessing Caterpillar 312c Excavator Manual Free and Paid eBooks
 - Caterpillar 312c Excavator Manual Public Domain eBooks
 - Caterpillar 312c Excavator Manual eBook Subscription Services
 - Caterpillar 312c Excavator Manual Budget-Friendly Options
- 6. Navigating Caterpillar 312c Excavator Manual eBook Formats
 - ePub, PDF, MOBI, and More
 - Caterpillar 312c Excavator Manual Compatibility with Devices
 - Caterpillar 312c Excavator Manual Enhanced eBook Features
- 7. Enhancing Your Reading Experience
 - Adjustable Fonts and Text Sizes of Caterpillar 312c Excavator Manual
 - Highlighting and Note-Taking Caterpillar 312c Excavator Manual
 - Interactive Elements Caterpillar 312c Excavator Manual
- 8. Staying Engaged with Caterpillar 312c Excavator Manual
 - Joining Online Reading Communities
 - Participating in Virtual Book Clubs
 - Following Authors and Publishers Caterpillar 312c Excavator Manual
- 9. Balancing eBooks and Physical Books Caterpillar 312c Excavator Manual
 - Benefits of a Digital Library
 - Creating a Diverse Reading Collection Caterpillar 312c Excavator Manual
- 10. Overcoming Reading Challenges
 - Dealing with Digital Eye Strain
 - Minimizing Distractions
 - Managing Screen Time
- 11. Cultivating a Reading Routine Caterpillar 312c Excavator Manual
 - Setting Reading Goals Caterpillar 312c Excavator Manual
 - Carving Out Dedicated Reading Time
- 12. Sourcing Reliable Information of Caterpillar 312c Excavator Manual
 - Fact-Checking eBook Content of Caterpillar 312c Excavator Manual
 - Distinguishing Credible Sources

13. Promoting Lifelong Learning
 - Utilizing eBooks for Skill Development
 - Exploring Educational eBooks
14. Embracing eBook Trends
 - Integration of Multimedia Elements
 - Interactive and Gamified eBooks

Caterpillar 312c Excavator Manual Introduction

Free PDF Books and Manuals for Download: Unlocking Knowledge at Your Fingertips In today's fast-paced digital age, obtaining valuable knowledge has become easier than ever. Thanks to the internet, a vast array of books and manuals are now available for free download in PDF format. Whether you are a student, professional, or simply an avid reader, this treasure trove of downloadable resources offers a wealth of information, conveniently accessible anytime, anywhere. The advent of online libraries and platforms dedicated to sharing knowledge has revolutionized the way we consume information. No longer confined to physical libraries or bookstores, readers can now access an extensive collection of digital books and manuals with just a few clicks. These resources, available in PDF, Microsoft Word, and PowerPoint formats, cater to a wide range of interests, including literature, technology, science, history, and much more. One notable platform where you can explore and download free Caterpillar 312c Excavator Manual PDF books and manuals is the internet's largest free library. Hosted online, this catalog compiles a vast assortment of documents, making it a veritable goldmine of knowledge. With its easy-to-use website interface and customizable PDF generator, this platform offers a user-friendly experience, allowing individuals to effortlessly navigate and access the information they seek. The availability of free PDF books and manuals on this platform demonstrates its commitment to democratizing education and empowering individuals with the tools needed to succeed in their chosen fields. It allows anyone, regardless of their background or financial limitations, to expand their horizons and gain insights from experts in various disciplines. One of the most significant advantages of downloading PDF books and manuals lies in their portability. Unlike physical copies, digital books can be stored and carried on a single device, such as a tablet or smartphone, saving valuable space and weight. This convenience makes it possible for readers to have their entire library at their fingertips, whether they are commuting, traveling, or simply enjoying a lazy afternoon at home. Additionally, digital files are easily searchable, enabling readers to locate specific information within seconds. With a few keystrokes, users can search for keywords, topics, or phrases, making research and finding relevant information a breeze. This efficiency saves time and effort, streamlining the learning process and allowing individuals to focus on extracting the information they need. Furthermore, the availability of free PDF books and manuals fosters a culture of continuous learning.

By removing financial barriers, more people can access educational resources and pursue lifelong learning, contributing to personal growth and professional development. This democratization of knowledge promotes intellectual curiosity and empowers individuals to become lifelong learners, promoting progress and innovation in various fields. It is worth noting that while accessing free Caterpillar 312c Excavator Manual PDF books and manuals is convenient and cost-effective, it is vital to respect copyright laws and intellectual property rights. Platforms offering free downloads often operate within legal boundaries, ensuring that the materials they provide are either in the public domain or authorized for distribution. By adhering to copyright laws, users can enjoy the benefits of free access to knowledge while supporting the authors and publishers who make these resources available. In conclusion, the availability of Caterpillar 312c Excavator Manual free PDF books and manuals for download has revolutionized the way we access and consume knowledge. With just a few clicks, individuals can explore a vast collection of resources across different disciplines, all free of charge. This accessibility empowers individuals to become lifelong learners, contributing to personal growth, professional development, and the advancement of society as a whole. So why not unlock a world of knowledge today? Start exploring the vast sea of free PDF books and manuals waiting to be discovered right at your fingertips.

FAQs About Caterpillar 312c Excavator Manual Books

What is a Caterpillar 312c Excavator Manual PDF? A PDF (Portable Document Format) is a file format developed by Adobe that preserves the layout and formatting of a document, regardless of the software, hardware, or operating system used to view or print it. **How do I create a Caterpillar 312c Excavator Manual PDF?** There are several ways to create a PDF: Use software like Adobe Acrobat, Microsoft Word, or Google Docs, which often have built-in PDF creation tools. Print to PDF: Many applications and operating systems have a "Print to PDF" option that allows you to save a document as a PDF file instead of printing it on paper. Online converters: There are various online tools that can convert different file types to PDF. **How do I edit a Caterpillar 312c Excavator Manual PDF?** Editing a PDF can be done with software like Adobe Acrobat, which allows direct editing of text, images, and other elements within the PDF. Some free tools, like PDFescape or Smallpdf, also offer basic editing capabilities. **How do I convert a Caterpillar 312c Excavator Manual PDF to another file format?** There are multiple ways to convert a PDF to another format: Use online converters like Smallpdf, Zamzar, or Adobe Acrobats export feature to convert PDFs to formats like Word, Excel, JPEG, etc. Software like Adobe Acrobat, Microsoft Word, or other PDF editors may have options to export or save PDFs in different formats. **How do I password-protect a Caterpillar 312c Excavator Manual PDF?** Most PDF editing software allows you to add password protection. In Adobe Acrobat, for instance, you can go to "File" -> "Properties" -> "Security" to set a password to restrict access or editing

capabilities. Are there any free alternatives to Adobe Acrobat for working with PDFs? Yes, there are many free alternatives for working with PDFs, such as: LibreOffice: Offers PDF editing features. PDFsam: Allows splitting, merging, and editing PDFs. Foxit Reader: Provides basic PDF viewing and editing capabilities. How do I compress a PDF file? You can use online tools like Smallpdf, ILovePDF, or desktop software like Adobe Acrobat to compress PDF files without significant quality loss. Compression reduces the file size, making it easier to share and download. Can I fill out forms in a PDF file? Yes, most PDF viewers/editors like Adobe Acrobat, Preview (on Mac), or various online tools allow you to fill out forms in PDF files by selecting text fields and entering information. Are there any restrictions when working with PDFs? Some PDFs might have restrictions set by their creator, such as password protection, editing restrictions, or print restrictions. Breaking these restrictions might require specific software or tools, which may or may not be legal depending on the circumstances and local laws.

Find Caterpillar 312c Excavator Manual :

[ford fiesta workshop manual thermostat removal](#)

[ford freestyle transmission rebuild manual](#)

[ford manual transmission wiki](#)

ford kuga service manual 2012

ford focus europe manual

[ford focus automated manual transmission](#)

[ford fiesta 1989 1997 workshop service manual](#)

[ford falcon ba workshop manual diff](#)

ford freestar service manual

ford jeep manual

ford festiva 1993 manual

ford fiesta service manual 2015 mk5

[ford fiesta mk1 repair manual](#)

[ford freestar repair manual front end](#)

[ford galaxy 97 workshop manual](#)

Caterpillar 312c Excavator Manual :

Scotty 272 Swivel Fishfinder Post Bracket 272 - PYB Chandlery PLUS Swivel post bracket works with Scotty optional rod holder mounts. WARNING: This product can expose you to chemicals including NICKEL (METALLIC) which is ...
Resultado da busca por: ...
272pub by Alfonso · 2016 Extreme Bardenas - 272pub by Alfonso · 2016 Extreme Bardenas - 266ph-pub by Alfonso · 2016 Extreme Bardenas - 264pub by Alfonso.
December 2018 Dec 31, 2018 — Title: Inventing Victoria Author: Tonya Bolden Genres: Young Adult, Historical Fiction Pages: Hardcover, 272 Pub Date: January 8th ...
272PUB&+JTKE?7G8E(/P:'i :m)BE0KWBS"@pLF8AhL,5OASDFZWB]>QUFQO>WXu83Fi:O;/GG5Y UtO~8+|
helly hansen 272 pub. 510 pub.
Отложить. Loke жакет Куртка · HELLY HANSEN. Loke жакет Куртка · Цена от: 316 руб. 395 руб. Отложить. W
Hydromoc Slip-on обув кроссовки. Купить мужскую одежду в интернет-магазине ... Цена от: 272 руб. 312 руб. 1; 2 · 3 · 4 · 5 ... 547. Подпишитесь и будьте в курсе последних новостей и промоакций. Для женщин. Для мужчин.
Присоединяйтесь к нам. Medžlis Bosanska Gradiška - Članovi || Registrovani korisnici Jason turner отправил(-а) вам код на сумму 80 272 руб (6381o-956qk9-71et69n) Активировать код : www.0915vfgs1@sites.google.com/view/5s4o0243s/, hr9tzpq ... Medžlis Bosanska Gradiška - Članovi || Registrovani korisnici Jason turner отправил(-а) вам код на сумму 80 272 руб (6381o-956qk9-71et69n) Активировать код : www.0915vfgs1@sites.google.com/view/5s4o0243s/, hr9tzpq ...
đanh bai | Live Online Craps Bet - on the App Store - Apple đanh bai | Live Online_đanh bai | Live Online Craps Bet - on the App Store - Apple · 272pub-prsmf Purchase quantity:7692 · x7xknz-9qwfz Purchase quantity:5454 ... Barron's SAT Math Workbook by Leff M.S., Lawrence This workbook's fifth edition has been updated to reflect questions and question types appearing on the most recent tests. Hundreds of math questions in ... SAT Math Workbook (Barron's Test Prep) ... Barron's SAT Math Workbook provides realistic questions for all math topics on the SAT. This edition features: Hundreds of revised math questions with ... SAT Math Workbook (Barron's Test Prep) Barron's SAT Math Workbook provides realistic questions for all math topics on the SAT. This edition features: Hundreds of revised math questions with ... Barron's SAT Math Workbook, 5th Edition Synopsis: This workbook's fifth edition has been updated to reflect questions and question types appearing on the most recent tests. ... Here is intensive ... Barron's SAT Math Workbook, 5th Edition Aug 1, 2012 — This workbook's fifth edition has been updated to reflect questions and question types appearing on the most recent tests. Hundreds of math ... Barron's SAT Math Workbook, 5th Edition Barron's SAT Math Workbook, 5th Edition. Barron's SAT Math Workbook - Leff M.S., Lawrence This workbook's fifth edition has been updated to reflect questions and question types appearing on the most recent tests. Hundreds of math questions in ... Barron's SAT Math Workbook, 5th Edition by Lawrence Leff ... Barron's SAT

Math Workbook, 5th Edition by Lawrence Leff M.S. (2012,...#5003 ; Condition. Very Good ; Quantity. 1 available ; Item Number. 281926239561 ; ISBN. Barron's SAT Math Workbook book by Lawrence S. Leff This workbook's fifth edition has been updated to reflect questions and question types appearing on the most recent tests. Hundreds of math questions in ... Barron's SAT Math Workbook, 5th Edition by Lawrence Leff ... Home Wonder Book Barron's SAT Math Workbook, 5th Edition ; Stock Photo · Cover May Be Different ; Or just \$4.66 ; About This Item. Barron's Educational Series. Used ... Citroen C3 2002 - 2009 Haynes Repair Manuals & Guides Need to service or repair your Citroen C3 2002 - 2009? Online and print formats available. Save time and money when you follow the advice of Haynes' master ... Citroen repair and workshop manuals | Haynes | Chilton A Haynes manual makes it EASY to service and repair your Citroen. Online, digital, PDF and print manuals for all popular models. Citroen C3 Petrol & Diesel Service and Repair Manual Citroen C3 Petrol & Diesel Service and Repair Manual: 2002-2009 (Haynes Service and Repair Manuals) [John Mead] on Amazon.com. *FREE* shipping on qualifying ... Citroen C3 Petrol and Diesel Service and Repair Manual Citroen C3 Petrol and Diesel Service and Repair Manual: 2002 to 2005 (Haynes Service & Repair Manuals) · Book overview. Citroen C3 Petrol and Diesel Service and Repair Manual ... Citroen C3 Petrol and Diesel Service and Repair Manual: 2002 to 2005 (Haynes Service & Repair Manuals) by John S. Mead - ISBN 10: 1844251977 - ISBN 13: ... Citroen C3 Petrol & Diesel Service and Repair Manual Citroen C3 Petrol & Diesel Service and Repair Manual: 2002-2009 (Haynes Service and Repair Manuals). All of our paper waste is recycled within the UK and ... Citroen C3 Petrol & Diesel Service and Repair Manual View all 22 copies of Citroen C3 Petrol & Diesel Service and Repair Manual: 2002-2009 (Haynes Service and Repair Manuals) from US\$ 4.37. 9781844258901 ... Citroen C3: Service and Repair Manual - John S. Mead This is one of a series of manuals for car or motorcycle owners. Each book provides information on routine maintenance and servicing, with tasks described ... Citroën C3 Haynes Car Service & Repair Manuals for sale Buy Citroën C3 Haynes Car Service & Repair Manuals and get the best deals at the lowest prices on eBay! Great Savings & Free Delivery / Collection on many ... Citroen C3 owner's workshop manual Every manual is written from hands-on experience gained from stripping down and rebuilding each vehicle in the Haynes Project Workshop.