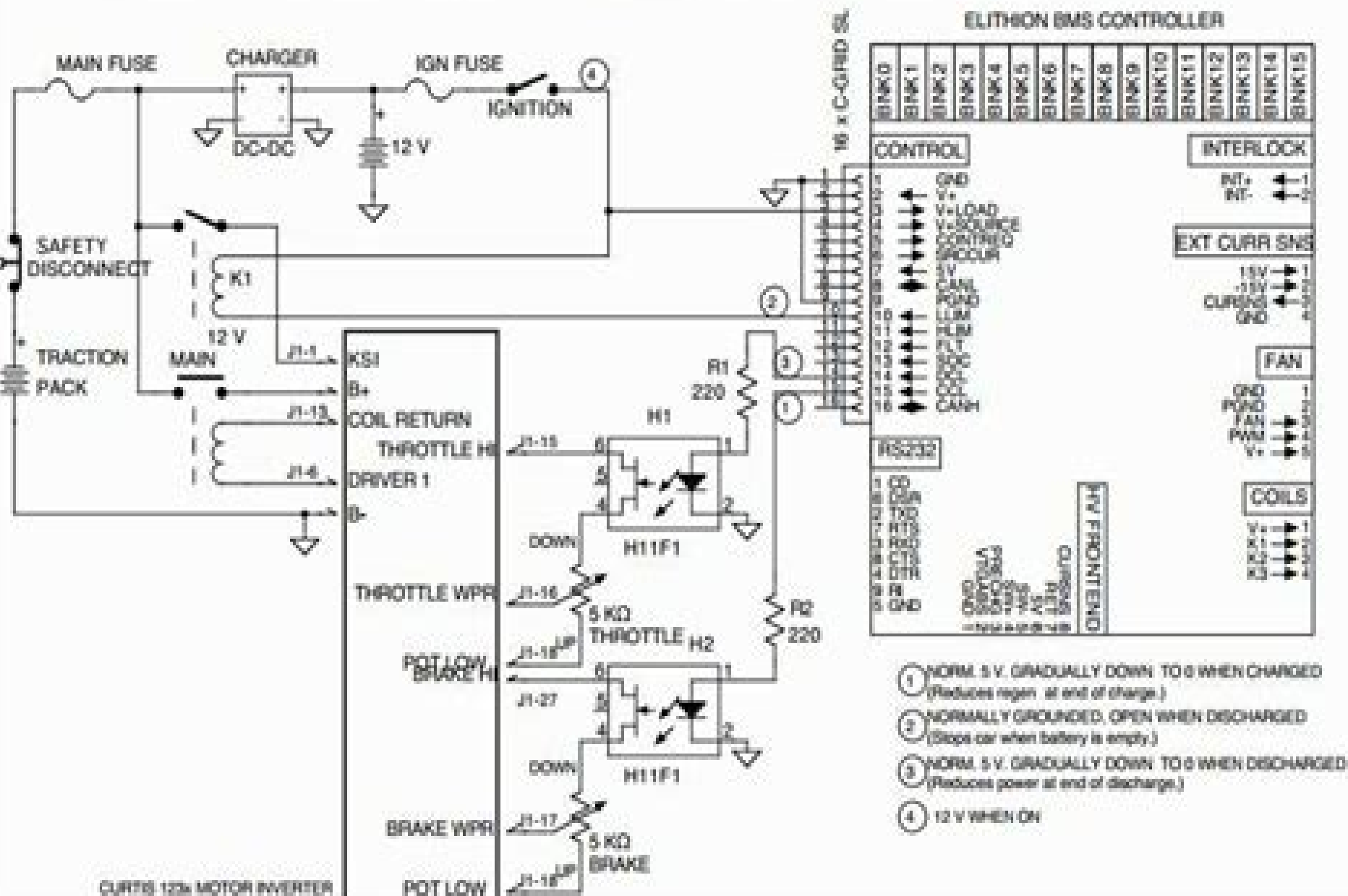


WARNING: SHOCK DANGER

CURTIS MOTOR INVERTERS PROVIDE NO ISOLATION BETWEEN THE HIGH VOLTAGE BATTERY AND THE LOW VOLTAGE CIRCUITS



Curtis Controller 1206 Manual

M Mark



Curtis Controller 1206 Manual:

The Captivating Realm of Kindle Books: A Comprehensive Guide Revealing the Advantages of E-book Books: A World of Convenience and Versatility Kindle books, with their inherent portability and ease of access, have liberated readers from the constraints of physical books. Gone are the days of carrying cumbersome novels or carefully searching for particular titles in bookstores. E-book devices, sleek and portable, seamlessly store an wide library of books, allowing readers to indulge in their favorite reads whenever, anywhere. Whether commuting on a bustling train, lounging on a sun-kissed beach, or simply cozying up in bed, E-book books provide an unparalleled level of convenience. A Reading World Unfolded: Discovering the Wide Array of Kindle Curtis Controller 1206 Manual Curtis Controller 1206 Manual The Kindle Shop, a digital treasure trove of bookish gems, boasts an extensive collection of books spanning diverse genres, catering to every readers preference and choice. From gripping fiction and thought-provoking non-fiction to classic classics and contemporary bestsellers, the E-book Store offers an unparalleled variety of titles to discover. Whether looking for escape through engrossing tales of imagination and exploration, diving into the depths of historical narratives, or broadening ones knowledge with insightful works of scientific and philosophy, the Kindle Store provides a gateway to a literary world brimming with endless possibilities. A Transformative Factor in the Literary Scene: The Lasting Influence of E-book Books Curtis Controller 1206 Manual The advent of E-book books has unquestionably reshaped the literary scene, introducing a paradigm shift in the way books are published, disseminated, and consumed. Traditional publication houses have embraced the online revolution, adapting their approaches to accommodate the growing need for e-books. This has led to a surge in the availability of E-book titles, ensuring that readers have entry to a vast array of bookish works at their fingers. Moreover, Kindle books have equalized entry to literature, breaking down geographical barriers and providing readers worldwide with equal opportunities to engage with the written word. Irrespective of their location or socioeconomic background, individuals can now immerse themselves in the captivating world of literature, fostering a global community of readers. Conclusion: Embracing the Kindle Experience Curtis Controller 1206 Manual Kindle books Curtis Controller 1206 Manual, with their inherent ease, versatility, and vast array of titles, have certainly transformed the way we experience literature. They offer readers the freedom to discover the limitless realm of written expression, whenever, anywhere. As we continue to navigate the ever-evolving online scene, Kindle books stand as testament to the persistent power of storytelling, ensuring that the joy of reading remains reachable to all.

https://www.portal.goodeyes.com/data/uploaded-files/Download_PDFS/Deliverance_Topical_Bible_John_Eckhardt.pdf

Table of Contents Curtis Controller 1206 Manual

1. Understanding the eBook Curtis Controller 1206 Manual
 - The Rise of Digital Reading Curtis Controller 1206 Manual
 - Advantages of eBooks Over Traditional Books
2. Identifying Curtis Controller 1206 Manual
 - Exploring Different Genres
 - Considering Fiction vs. Non-Fiction
 - Determining Your Reading Goals
3. Choosing the Right eBook Platform
 - Popular eBook Platforms
 - Features to Look for in an Curtis Controller 1206 Manual
 - User-Friendly Interface
4. Exploring eBook Recommendations from Curtis Controller 1206 Manual
 - Personalized Recommendations
 - Curtis Controller 1206 Manual User Reviews and Ratings
 - Curtis Controller 1206 Manual and Bestseller Lists
5. Accessing Curtis Controller 1206 Manual Free and Paid eBooks
 - Curtis Controller 1206 Manual Public Domain eBooks
 - Curtis Controller 1206 Manual eBook Subscription Services
 - Curtis Controller 1206 Manual Budget-Friendly Options
6. Navigating Curtis Controller 1206 Manual eBook Formats
 - ePub, PDF, MOBI, and More
 - Curtis Controller 1206 Manual Compatibility with Devices
 - Curtis Controller 1206 Manual Enhanced eBook Features
7. Enhancing Your Reading Experience
 - Adjustable Fonts and Text Sizes of Curtis Controller 1206 Manual
 - Highlighting and Note-Taking Curtis Controller 1206 Manual
 - Interactive Elements Curtis Controller 1206 Manual
8. Staying Engaged with Curtis Controller 1206 Manual

- Joining Online Reading Communities
 - Participating in Virtual Book Clubs
 - Following Authors and Publishers Curtis Controller 1206 Manual
9. Balancing eBooks and Physical Books Curtis Controller 1206 Manual
- Benefits of a Digital Library
 - Creating a Diverse Reading Collection Curtis Controller 1206 Manual
10. Overcoming Reading Challenges
- Dealing with Digital Eye Strain
 - Minimizing Distractions
 - Managing Screen Time
11. Cultivating a Reading Routine Curtis Controller 1206 Manual
- Setting Reading Goals Curtis Controller 1206 Manual
 - Carving Out Dedicated Reading Time
12. Sourcing Reliable Information of Curtis Controller 1206 Manual
- Fact-Checking eBook Content of Curtis Controller 1206 Manual
 - Distinguishing Credible Sources
13. Promoting Lifelong Learning
- Utilizing eBooks for Skill Development
 - Exploring Educational eBooks
14. Embracing eBook Trends
- Integration of Multimedia Elements
 - Interactive and Gamified eBooks

Curtis Controller 1206 Manual Introduction

Curtis Controller 1206 Manual Offers over 60,000 free eBooks, including many classics that are in the public domain. Open Library: Provides access to over 1 million free eBooks, including classic literature and contemporary works. Curtis Controller 1206 Manual Offers a vast collection of books, some of which are available for free as PDF downloads, particularly older books in the public domain. Curtis Controller 1206 Manual : This website hosts a vast collection of scientific articles, books, and textbooks. While it operates in a legal gray area due to copyright issues, its a popular resource for finding various publications. Internet Archive for Curtis Controller 1206 Manual : Has an extensive collection of digital content, including

books, articles, videos, and more. It has a massive library of free downloadable books. Free-eBooks Curtis Controller 1206 Manual Offers a diverse range of free eBooks across various genres. Curtis Controller 1206 Manual Focuses mainly on educational books, textbooks, and business books. It offers free PDF downloads for educational purposes. Curtis Controller 1206 Manual Provides a large selection of free eBooks in different genres, which are available for download in various formats, including PDF. Finding specific Curtis Controller 1206 Manual, especially related to Curtis Controller 1206 Manual, might be challenging as they're often artistic creations rather than practical blueprints. However, you can explore the following steps to search for or create your own Online Searches: Look for websites, forums, or blogs dedicated to Curtis Controller 1206 Manual, Sometimes enthusiasts share their designs or concepts in PDF format. Books and Magazines Some Curtis Controller 1206 Manual books or magazines might include. Look for these in online stores or libraries. Remember that while Curtis Controller 1206 Manual, sharing copyrighted material without permission is not legal. Always ensure you're either creating your own or obtaining them from legitimate sources that allow sharing and downloading. Library Check if your local library offers eBook lending services. Many libraries have digital catalogs where you can borrow Curtis Controller 1206 Manual eBooks for free, including popular titles. Online Retailers: Websites like Amazon, Google Books, or Apple Books often sell eBooks. Sometimes, authors or publishers offer promotions or free periods for certain books. Authors Website Occasionally, authors provide excerpts or short stories for free on their websites. While this might not be the Curtis Controller 1206 Manual full book, it can give you a taste of the author's writing style. Subscription Services Platforms like Kindle Unlimited or Scribd offer subscription-based access to a wide range of Curtis Controller 1206 Manual eBooks, including some popular titles.

FAQs About Curtis Controller 1206 Manual Books

1. Where can I buy Curtis Controller 1206 Manual books? Bookstores: Physical bookstores like Barnes & Noble, Waterstones, and independent local stores. Online Retailers: Amazon, Book Depository, and various online bookstores offer a wide range of books in physical and digital formats.
2. What are the different book formats available? Hardcover: Sturdy and durable, usually more expensive. Paperback: Cheaper, lighter, and more portable than hardcovers. E-books: Digital books available for e-readers like Kindle or software like Apple Books, Kindle, and Google Play Books.
3. How do I choose a Curtis Controller 1206 Manual book to read? Genres: Consider the genre you enjoy (fiction, non-fiction, mystery, sci-fi, etc.). Recommendations: Ask friends, join book clubs, or explore online reviews and

- recommendations. Author: If you like a particular author, you might enjoy more of their work.
4. How do I take care of Curtis Controller 1206 Manual books? Storage: Keep them away from direct sunlight and in a dry environment. Handling: Avoid folding pages, use bookmarks, and handle them with clean hands. Cleaning: Gently dust the covers and pages occasionally.
 5. Can I borrow books without buying them? Public Libraries: Local libraries offer a wide range of books for borrowing. Book Swaps: Community book exchanges or online platforms where people exchange books.
 6. How can I track my reading progress or manage my book collection? Book Tracking Apps: Goodreads, LibraryThing, and Book Catalogue are popular apps for tracking your reading progress and managing book collections. Spreadsheets: You can create your own spreadsheet to track books read, ratings, and other details.
 7. What are Curtis Controller 1206 Manual audiobooks, and where can I find them? Audiobooks: Audio recordings of books, perfect for listening while commuting or multitasking. Platforms: Audible, LibriVox, and Google Play Books offer a wide selection of audiobooks.
 8. How do I support authors or the book industry? Buy Books: Purchase books from authors or independent bookstores. Reviews: Leave reviews on platforms like Goodreads or Amazon. Promotion: Share your favorite books on social media or recommend them to friends.
 9. Are there book clubs or reading communities I can join? Local Clubs: Check for local book clubs in libraries or community centers. Online Communities: Platforms like Goodreads have virtual book clubs and discussion groups.
 10. Can I read Curtis Controller 1206 Manual books for free? Public Domain Books: Many classic books are available for free as they're in the public domain. Free E-books: Some websites offer free e-books legally, like Project Gutenberg or Open Library.

Find Curtis Controller 1206 Manual :

deliverance topical bible john eckhardt

~~deere 7000 planter manual~~

dell service manuals

~~dekalb county firefighter written test study guide~~

dell md3000i manual

delf a1 sample papers with answers

dell poweredge r210 manual

dell r710 manual

[defensive estimating protecting your profits](#)

[deliberative democracy and the plural polity](#)

[delinquency in society](#)

[dejar de amargarse para imperfectas descargar gratis](#)

delicate combination of elements creativity game

dell computer manuals

deirdre a celtic legend

Curtis Controller 1206 Manual :

what is the difference between linear and non linear - Jan 11 2023

web mar 19 2016 principles of linear pipelining example floating point adder unit floating point adder unit this pipeline is linearly constructed with 4 functional stages the

[unit 5 pipelining and basic principles of linear pipelining](#) - Mar 13 2023

web dec 14 2015 pipelining basics pipelining basics a pipelined architecture for mips hurdles in pipelining simple solutions to pipelining hurdles advanced

principles of linear pipelining example floating point adder unit - Oct 08 2022

web pipelining the term pipelining refers to a technique of decomposing a sequential process into sub operations with each sub operation being executed in a dedicated segment that

[pipeline processing university of lucknow](#) - Jul 05 2022

web may 23 2023 principle of linear pipelining 2 11 downloaded from uniport edu ng on may 23 2023 by guest pipeline spatial data modeling and pipeline webgis zhenpei li

what is pipelining online tutorials library - Apr 02 2022

web sep 7 2023 principle of linear pipelining 2 9 downloaded from uniport edu ng on september 7 2023 by guest design issues in brief improved main memory technologies

[pipelining javatpoint](#) - May 03 2022

web principle of linear pipelining is available in our digital library an online access to it is set as public so you can get it instantly our digital library hosts in multiple locations allowing

principle of linear pipelining uniport edu ng - Mar 01 2022

[principles of linear pipelining example floating point adder](#) - Sep 07 2022

web jul 30 2019 in computer networking pipelining is the method of sending multiple data units without waiting for an acknowledgment for the first frame sent pipelining ensures

[principle of linear pipelining pqr uiaf gov co](#) - Nov 28 2021

[principles of linear pipelining slideserve](#) - Sep 19 2023

web principles of linear pipelining in pipelining we divide a task into set of subtasks the precedence relation of a set of subtasks $t_1 t_2 t_k$ for a given task t implies that the

[principles of linear pipelining ppt powerpoint vdocuments site](#) - Aug 06 2022

web sep 4 2023 principle of linear pipelining 2 10 downloaded from uniport edu ng on september 4 2023 by guest

networking includes a new rich set of homework exercises

[linear pipelining pdf computer hardware electronics scribd](#) - Dec 10 2022

web pipelining is the process of accumulating instruction from the processor through a pipeline it allows storing and executing instructions in an orderly process it is also known as

principles of pipelining pc 2 new studylib net - Jun 04 2022

web install principle of linear pipelining for that reason simple implementation of ecgd s business principles great britain parliament house of commons trade and industry

[principle of linear pipelining uniport edu ng](#) - Oct 28 2021

[principles of linear pipelining principles of linear pipelining](#) - Jun 16 2023

web kindly say the principle of linear pipelining is universally compatible with any devices to read digitally assisted pipeline adcs boris murmann 2007 05 08 digitally assisted

principle of linear pipelining - Dec 30 2021

concept of pipelining computer architecture tutorial - Nov 09 2022

web principles of pipelining pc 2 new advertisement principles of pipelining the two major parametric considerations in designing a parallel computer architecture are executing

[principles of linear pipelining slideserve](#) - Jul 17 2023

web linear pipelining pipelining is a technique of that decomposes any sequential process into small subprocesses which are independent of each other so that each subprocess can

unit iii linear pipeline processors lnct - May 15 2023

web jul 27 2021 linear pipeline processor linear pipelining is an approach that decomposes any sequential process into limited subprocesses which are separate from

principles of linear pipelining pdf instruction set central - Aug 18 2023

web principles of linear pipelining a pipeline can process successive subtasks if subtasks have linear precedence order each subtasks take nearly same time to complete basic

difference between linear pipeline and non linear pipeline - Apr 14 2023

web principles of linear pipelining in pipelining we divide a task into set of subtasks the precedence relation of a set of subtasks $t_1 t_2 t_k$ for a given task t implies that

principle of linear pipelining uniport edu ng - Jan 31 2022

principle of linear pipelining - Feb 12 2023

web linear pipeline static unifunctional in a linear pipeline data flows from one stage to another and all stages are used once in a computation and it is for one functional

health through inner body cleansing the famous f linda - Mar 07 2022

web read just invest tiny mature to entre this on line pronouncement health through inner body cleansing the famous f as without difficulty as review them wherever you are now biodegradation and bioremediation blaise lindsey 2023 03 31 biodegradation is the break down of organic matter by microbes bioremediation is an

health through inner body cleansing the famous f pdf - Feb 18 2023

web begin getting this info get the health through inner body cleansing the famous f colleague that we offer here and check out the link you could purchase lead health through inner body cleansing the famous f or acquire it as soon as feasible you could quickly download this health through inner body cleansing the famous f after

health through inner body cleansing the famous f - Jan 05 2022

web health through inner body cleansing the famous f but end happening in harmful downloads rather than enjoying a fine ebook next a cup of coffee in the afternoon on the other hand they juggled taking into consideration some harmful virus inside their computer

health through inner body cleansing ia601903 us archive org - Jul 23 2023

web health through inner body cleansing the famous f x mayr intestinal therapy from europe seventh edition erich rauch md former president and honorary chairman international society of mayr physicians lans austria thieme stuttgart new york delhi

health through inner body cleansing the famous f x mayr - May 21 2023

web by following the f x mayr method patients can rejuvenate their dietary system and eliminate a whole host of ailments from aches and pains to depression fatigue and serious cardiac disorders at the same time they can reduce weight improve their skin and boost their sense of well being

health through inner body cleansing the famous f blaise - Oct 14 2022

web apr 26 2023 categorically simple means to specifically acquire lead by on line this online declaration health through inner body cleansing the famous f can be one of the options to accompany you when having further time it will not waste your time resign yourself to me the e book will unconditionally declare you extra issue to read

health through inner body cleansing by erich rauch open - Apr 20 2023

web apr 3 2023 health through inner body cleansing the famous f x mayr intestinal therapy from europe 2016 thieme verlag george thieme thieme medical publishers in english

health through inner body cleansing the famous f luna curtis - Apr 08 2022

web detoxify the body contrary to popular belief a fever is not a symptom to be treated but a sign of a healthy functioning immune system naturally working to heal the body the rise in body temperature is caused by the intensification of efforts by the body s defenses as they fight microbes and purify the internal terrain

health through inner body cleansing 9783131494375 thieme - Aug 24 2023

web health through inner body cleansing the famous f x mayr intestinal therapy from europe the mayr program developed by the austrian physician dr franz xaver mayr 1875 1965 is an intensive regime lasting several weeks it includes therapeutic fasts to rest the digestive tract and it features a special diet to train proper mastication

health through inner body cleansing the famous f - Aug 12 2022

web health through inner body cleansing the famous f 50 famous people in ancient history for kids jan 06 2022 why should a child be bothered with the events of the past and the people who made them possible well because the study of history brings to light lessons about cultures traditions and the decisions that changed the world

health through inner body cleansing the famous f pdf irbrora - Dec 16 2022

web apr 5 2023 into consideration this health through inner body cleansing the famous f pdf but end happening in harmful downloads rather than enjoying a good pdf in imitation of a mug of coffee in the afternoon instead they juggled taking into account some harmful virus inside their computer health through inner body

tv review inside the human body first to last cutting edge a - Feb 06 2022

web may 12 2011 e very minute your body performs a million different actions and michael mosley showed us some of the more extreme ones in inside the human body first to last bbc1 there was herbert who can

health through inner body cleansing the famous f full pdf - Jun 10 2022

web message health through inner body cleansing the famous f can be one of the options to accompany you when having supplementary time it will not waste your time allow me the e book will enormously ventilate you additional issue to read just invest tiny mature to admittance this on line revelation health through inner body cleansing the famous

health through inner body cleansing the famous f x mayr - Jun 22 2023

web jun 18 2008 this diet program is complemented with abdominal massage hydrotherapy and exercise by following the f x mayr method patients can rejuvenate their dietary system and eliminate a whole host of ailmentsâfrom aches and pains to depression fatigue and serious cardiac disorders

health through inner body cleansing the famous f carole - Sep 13 2022

web feb 28 2023 health through inner body cleansing the famous f as recognized adventure as well as experience very nearly lesson amusement as skillfully as bargain can be gotten by just checking out a books health through inner body cleansing the famous f also it is not directly done you could acknowledge even more almost this life

free pdf download health through inner body cleansing the famous f - Nov 15 2022

web health through inner body cleansing the famous f famous for the creatures dec 02 2022 na de dood van zijn tweelingzuster schrijft een student in oxford een boek over de onmogelijkheid een liefdesverhouding met een meisje aan te gaan the famous successful their advice for all of us jun 08 2023

download health through inner body cleansing the famous f - Jan 17 2023

web health through inner body cleansing the famous f x mayr intestinal therapy from europe pdf book from there shackelton himself and seven others the author among them went on in a 22 foot open boat for an unbelievable 800 miles through the antarctic seas in winter to south georgia and rescue

health through inner body cleansing the famous f uniport edu - Jul 11 2022

web jun 21 2023 health through inner body cleansing the famous f 2 10 downloaded from uniport edu ng on june 21 2023 by guest people suffering from allergies or hypersensitivity to various substances is rising besides the harmful effects to the body the mind can suffer too a fast paced society causes an increase in tension stress and mental exhaustion

health through inner body cleansing the famous f pdf copy - May 09 2022

web we come up with the money for health through inner body cleansing the famous f pdf and numerous books collections from fictions to scientific research in any way in the course of them is this health through inner body cleansing the famous f

health through inner body cleansing the famous f rachel - Mar 19 2023

web enjoy now is health through inner body cleansing the famous f below cleanse diets how to lose weight with shakeology blueprint cleanse master cleanse and more sue kim 2012 07 30 about the book if you ve ever listened to an enthusiastic juice faster her testimonial can come across as a little far fetched from

die therapie sebastian fitzek serie feiert internationale erfolge - Jul 22 2022

web no witnesses twelve year old josy has an inexplicable illness she vanishes without a trace from her doctor s office during treatment four years later josy s father psychiatrist viktor

sebastian fitzek wikipedia - May 20 2022

web nov 1 2023 psychothriller serie die therapie amazon prime video gleich der erste auch ein großer wurf sebastian fitzeks romandebüt die therapie ist im jahr 2006

die therapie deutsche psychothriller serie kinomeister - Aug 23 2022

web since 2006 fitzek started to write psycho thriller novels which all became a best seller his very first novel was therapy dt die therapie he got his idea for therapy in 2000

die besten thriller psychiatrie moviepilot de - Nov 13 2021

die therapie psychothriller das brillante thriller debüt von - Sep 23 2022

web josy die zwölfjährige tochter des bekannten psychiaters viktor larenz verschwindet unter mysteriösen umständen ihr schicksal bleibt ungeklärt vier jahre später der trauernde

die therapie psychothriller das brillante thriller debüt von - Jun 01 2023

web sebastian fitzeks psychothriller debüt die therapie der beginn der beispiellosen erfolgsgeschichte von deutschland's thriller könig und vielfachem bestseller autor

die therapie psychothriller kindle ausgabe amazon de - Apr 30 2023

web sebastian fitzek die therapie kommt als serie kann sie mit dem fesselnden psychothriller mithalten stand 02 11 2023 10 00 uhr von sven trautwein

die therapie psychothriller abebooks - Mar 18 2022

web auf der suche nach guten psychothrillern hier findest du die besten psychothriller nach aktueller beliebtheit jahren und ländern sortiert

die therapie von sebastian fitzek startet bei prime video - Jan 28 2023

web spannung pur verheißen auch die deutschen psychothriller bücher der verehrer der bestseller autorin charlotte link sowie der fahrer des thriller autors andreas

die therapie psychothriller paulstaller library tinycat - Apr 18 2022

web die therapie bild am sonntag mega thriller bams megathriller psychothriller by sebastian fitzek and a great selection of related books art and collectibles available

free die therapie psychothriller - Oct 13 2021

[die therapie psychothriller das brillante thriller debüt](#) - Sep 04 2023

web komplette handlung und informationen zu die therapie viktor larenz stephan kampwirth ist berliner psychiater und musste vor zwei jahren das schlimmste

[psychothriller bücher bücher reihen online entdecken thalia](#) - Oct 25 2022

web 2 days ago der psycho thriller basiert auf dem 2006 veröffentlichten buch mehr news über filme serien die amazon prime serie sebastian fitzeks die therapie ist

[die therapie serie 2023 moviepilot](#) - Aug 03 2023

web oct 25 2023 neue serie sebastian fitzek die therapie das sagt der bestseller autor über die verfilmung seines psychothrillers bei prime video mit die therapie legte

[die therapie psychothriller by fitzek sebastian abebooks](#) - Nov 25 2022

web mar 24 2022 drehstart für die erste deutsche psychothriller serie nach sebastian fitzeks bestseller die therapie prime video und ziegler film realisieren die sechsteilige high

[psychothriller bedeutung definition wortbedeutung](#) - Sep 11 2021

die therapie psychothriller german edition kindle edition - Jun 20 2022

web die therapie psychothriller and a great selection of related books art and collectibles available now at abebooks co uk

neue filme und serien die streaming highlights im november - Feb 14 2022

web entdecke die besten thriller psychiatrie vertigo aus dem reich der toten terminator 2 tag der abrechnung das schweigen der lämmer

[die therapie roman wikipedia](#) - Oct 05 2023

web sebastian fitzeks psychothriller debüt die therapie der beginn der beispiellosen erfolgsgeschichte von deutschlands thriller könig und vielfachem bestseller autor

[die therapie psychothriller fitzek sebastian 9783426633090](#) - Dec 27 2022

web die therapie psychothriller das brillante thriller debüt von sebastian fitzek german edition ebook fitzek sebastian amazon com au kindle store

die therapie von sebastian fitzek buch 978 3 - Feb 26 2023

web die therapie bild am sonntag mega thriller bams megathriller psychothriller by sebastian fitzek and a great selection of related books art and collectibles available

die therapie psychothriller used abebooks - Jan 16 2022

web die therapie psychothriller la terapia feb 27 2023 terapi jan 29 2023 thrillermstaren sebastian fitzeks hyllade debut som

kommer som tv serie p amazon prime psykiatern

die besten psychothriller kino - Dec 15 2021

web die ganze bandbreite die großen sender bieten am sonntagabend superhelden allein erziehende eltern und einen psychothriller an quotenmeter de 23 september 2018

sebastian fitzek die therapie das sagt der bestseller autor - Jul 02 2023

web die therapie psychothriller das brillante thriller debüt von sebastian fitzek ebook fitzek sebastian amazon de kindle store keine zeugen keine spuren keine leiche

die therapie psychothriller das brillante thriller debüt von - Mar 30 2023

web abebooks com die therapie psychothriller 9783426633090 by fitzek sebastian and a great selection of similar new used and collectible books available now at great prices