

Connecteur noir (A)

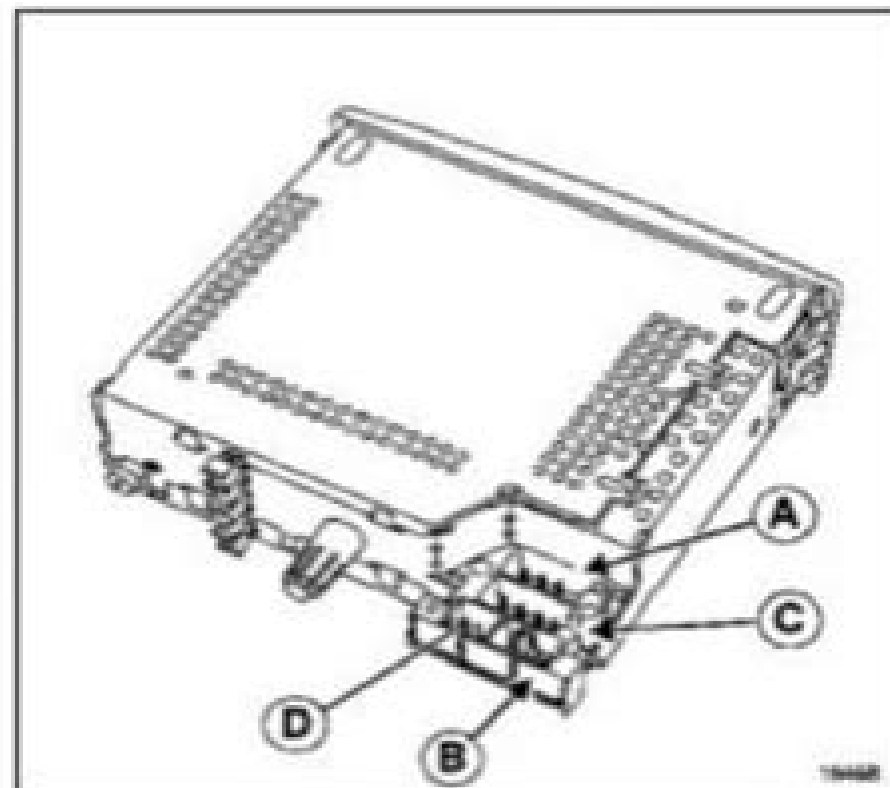
Voie	Désignation
1	Information vitesse véhicule
2	Non utilisée
3	Signal soundine (mute)
4	Alimentation batterie
5	Alimentation amplificateur d'antenne-afficheur
6	Alimentation éclairage
7	Alimentation accessoires
8	Masse

Connecteur jaune (B)

Voie	Désignation
1	Liaison afficheur
2	Liaison afficheur
3	Liaison afficheur
4	Non utilisée
5	Information marche radio-afficheur
6	Masse-Blindage

Nota :

Si le véhicule est équipé du système de navigation, voir note technique "Aide à la navigation".



Connecteur noir (C)

Voie	Désignation
1	+ Haut-parleur arrière droit
2	- Haut-parleur arrière droit
3	+ Haut-parleur avant droit
4	- Haut-parleur avant droit
5	+ Haut-parleur avant gauche
6	- Haut-parleur avant gauche
7	+ Haut-parleur arrière gauche
8	- Haut-parleur arrière gauche

Cabasse Cd Player Manual

Ken C. Pohlmann



Cabasse Cd Player Manual:

Hi-fi News ,2006 **Audio Amateur** ,1992 **The Gramophone** ,1993 **Speaker Builder** ,1993 **BBC Wildlife** ,2002 *Audio* ,1986 *Stereophile* ,2004 **Journal of the Audio Engineering Society** Audio Engineering Society,1994 Directory of members published as pt 2 of Apr 1954 issue **Understanding and Servicing CD Players** KEN CLEMENTS,1994-09-20 Written specifically with service technicians and engineers in mind this book is designed as a bench side companion and guide to the principles involved in repairing and adjusting CD players Engineers will find this a helpful companion to the various service manuals The text takes a problem solving approach with numerous examples circuit diagrams and line drawings Engineers who need to achieve a better understanding of CD technology will find this book an essential tool for fault diagnosis adjustment and repair This book not only covers the mechanical design but also the integrated circuits within a CD player It is written for immediate application and is well illustrated so it should become a welcome addition to the rack of tools available to the service engineer Ken Clements has extensive experience of the service industry both as a service manager and later in technical training with Sony and Pioneer It is his hands on knowledge that makes the book so valuable not only as a wide ranging reference but also as a benchtop manual to be kept within reach at all times when working with CD players **Stereo CD Player DCD-F101** Denon, This is an instruction manual for the Denon DCD F101 CD player **Complete Guide to Compact Disc (CD) Player Troubleshooting and Repair** John D. Lenk,1986 **Compact Disc Player Maintenance and Repair Service Manual** Gordon McComb,J. Cook,1987-04-01 With this complete guide CD owners will have all the information instruction they need to make sure their CD players are producing years from now the same kind of sound they re enjoying today Packed with quick reliable answers to the problems of maintaining repairing CD players this illustrated do it yourself guide takes the apprehension out of first time repairs By following the easy maintenance upkeep procedures included readers can ward off problems before they happen **CD Radio Cassette-corder** Sonī Kabushiki Kaisha,1996 This manual covers the basic operations of the CD player the radio the timer playing and recording on a tape etc The Compact Disc Handbook Ken C. Pohlmann,1992 The Compact Disc Handbook is part of an ongoing series that explores digital audio computer music and related topics Volumes in the series address audiences from a wide variety of disciplines and are of interest to both beginning and experienced practitioners The series includes textbooks monographs anthologies practical guides and reference works By presenting material for all levels and types of readers the series serves as a source of introductory material as well as a unified reference collection BOOK JACKET Title Summary field provided by Blackwell North America Inc All Rights Reserved Compact Disc Player Maintenance and Repair Gordon McComb,John Cook,1987 Explains how compact disc players work offers advice on maintenance troubleshooting and repairs and discusses tools supplies and common malfunctions *CD-Commander User's Manual* ,1995 Installing and managing CD ROM servers *Troubleshooting and Repairing Compact Disc Players* Homer L.

Davidson,1996 Updated to cover the newest models and enhanced with special flowcharts this information packed volume is the most practical book available on CD player troubleshooting and repair Topics are covered in greater detail than in competing manuals and abundant photographs and illustrations clearly reinforce the hands on instructions 450 illustrations

CD Plus Reference Manual CD Plus (Firm),1992 *Digital Audio Technology* Luc Baert,2001 First Published in 2001
Routledge is an imprint of Taylor Francis an informa company The Complete Recordable-CD Guide Lee Purcell,1997 of
the major brands of CD ROMs Includes information not found in hardware manuals about Windows 3 1 and Windows 95
installations The enclosed CD contains CD ROM utilities demos specs resource lists for Internet user groups and CD ROM
manufacturers plus the entire text and illustrations of the book

Immerse yourself in the artistry of words with is expressive creation, Immerse Yourself in **Cabasse Cd Player Manual** . This ebook, presented in a PDF format (PDF Size: *), is a masterpiece that goes beyond conventional storytelling. Indulge your senses in prose, poetry, and knowledge. Download now to let the beauty of literature and artistry envelop your mind in a unique and expressive way.

https://www.portal.goodeyes.com/data/virtual-library/default.aspx/finite_mathematics_its_applications_11th_edition.pdf

Table of Contents Cabasse Cd Player Manual

1. Understanding the eBook Cabasse Cd Player Manual
 - The Rise of Digital Reading Cabasse Cd Player Manual
 - Advantages of eBooks Over Traditional Books
2. Identifying Cabasse Cd Player Manual
 - Exploring Different Genres
 - Considering Fiction vs. Non-Fiction
 - Determining Your Reading Goals
3. Choosing the Right eBook Platform
 - Popular eBook Platforms
 - Features to Look for in an Cabasse Cd Player Manual
 - User-Friendly Interface
4. Exploring eBook Recommendations from Cabasse Cd Player Manual
 - Personalized Recommendations
 - Cabasse Cd Player Manual User Reviews and Ratings
 - Cabasse Cd Player Manual and Bestseller Lists
5. Accessing Cabasse Cd Player Manual Free and Paid eBooks
 - Cabasse Cd Player Manual Public Domain eBooks
 - Cabasse Cd Player Manual eBook Subscription Services
 - Cabasse Cd Player Manual Budget-Friendly Options

6. Navigating Cabasse Cd Player Manual eBook Formats
 - ePub, PDF, MOBI, and More
 - Cabasse Cd Player Manual Compatibility with Devices
 - Cabasse Cd Player Manual Enhanced eBook Features
7. Enhancing Your Reading Experience
 - Adjustable Fonts and Text Sizes of Cabasse Cd Player Manual
 - Highlighting and Note-Taking Cabasse Cd Player Manual
 - Interactive Elements Cabasse Cd Player Manual
8. Staying Engaged with Cabasse Cd Player Manual
 - Joining Online Reading Communities
 - Participating in Virtual Book Clubs
 - Following Authors and Publishers Cabasse Cd Player Manual
9. Balancing eBooks and Physical Books Cabasse Cd Player Manual
 - Benefits of a Digital Library
 - Creating a Diverse Reading Collection Cabasse Cd Player Manual
10. Overcoming Reading Challenges
 - Dealing with Digital Eye Strain
 - Minimizing Distractions
 - Managing Screen Time
11. Cultivating a Reading Routine Cabasse Cd Player Manual
 - Setting Reading Goals Cabasse Cd Player Manual
 - Carving Out Dedicated Reading Time
12. Sourcing Reliable Information of Cabasse Cd Player Manual
 - Fact-Checking eBook Content of Cabasse Cd Player Manual
 - Distinguishing Credible Sources
13. Promoting Lifelong Learning
 - Utilizing eBooks for Skill Development
 - Exploring Educational eBooks
14. Embracing eBook Trends
 - Integration of Multimedia Elements

- Interactive and Gamified eBooks

Cabasse Cd Player Manual Introduction

In today's digital age, the availability of Cabasse Cd Player Manual books and manuals for download has revolutionized the way we access information. Gone are the days of physically flipping through pages and carrying heavy textbooks or manuals. With just a few clicks, we can now access a wealth of knowledge from the comfort of our own homes or on the go. This article will explore the advantages of Cabasse Cd Player Manual books and manuals for download, along with some popular platforms that offer these resources. One of the significant advantages of Cabasse Cd Player Manual books and manuals for download is the cost-saving aspect. Traditional books and manuals can be costly, especially if you need to purchase several of them for educational or professional purposes. By accessing Cabasse Cd Player Manual versions, you eliminate the need to spend money on physical copies. This not only saves you money but also reduces the environmental impact associated with book production and transportation. Furthermore, Cabasse Cd Player Manual books and manuals for download are incredibly convenient. With just a computer or smartphone and an internet connection, you can access a vast library of resources on any subject imaginable. Whether you're a student looking for textbooks, a professional seeking industry-specific manuals, or someone interested in self-improvement, these digital resources provide an efficient and accessible means of acquiring knowledge. Moreover, PDF books and manuals offer a range of benefits compared to other digital formats. PDF files are designed to retain their formatting regardless of the device used to open them. This ensures that the content appears exactly as intended by the author, with no loss of formatting or missing graphics. Additionally, PDF files can be easily annotated, bookmarked, and searched for specific terms, making them highly practical for studying or referencing. When it comes to accessing Cabasse Cd Player Manual books and manuals, several platforms offer an extensive collection of resources. One such platform is Project Gutenberg, a nonprofit organization that provides over 60,000 free eBooks. These books are primarily in the public domain, meaning they can be freely distributed and downloaded. Project Gutenberg offers a wide range of classic literature, making it an excellent resource for literature enthusiasts. Another popular platform for Cabasse Cd Player Manual books and manuals is Open Library. Open Library is an initiative of the Internet Archive, a non-profit organization dedicated to digitizing cultural artifacts and making them accessible to the public. Open Library hosts millions of books, including both public domain works and contemporary titles. It also allows users to borrow digital copies of certain books for a limited period, similar to a library lending system. Additionally, many universities and educational institutions have their own digital libraries that provide free access to PDF books and manuals. These libraries often offer academic texts, research papers, and technical manuals, making them invaluable resources for students and researchers. Some notable examples include MIT OpenCourseWare, which offers free access to course materials from the Massachusetts Institute of

Technology, and the Digital Public Library of America, which provides a vast collection of digitized books and historical documents. In conclusion, Cabasse Cd Player Manual books and manuals for download have transformed the way we access information. They provide a cost-effective and convenient means of acquiring knowledge, offering the ability to access a vast library of resources at our fingertips. With platforms like Project Gutenberg, Open Library, and various digital libraries offered by educational institutions, we have access to an ever-expanding collection of books and manuals. Whether for educational, professional, or personal purposes, these digital resources serve as valuable tools for continuous learning and self-improvement. So why not take advantage of the vast world of Cabasse Cd Player Manual books and manuals for download and embark on your journey of knowledge?

FAQs About Cabasse Cd Player Manual Books

What is a Cabasse Cd Player Manual PDF? A PDF (Portable Document Format) is a file format developed by Adobe that preserves the layout and formatting of a document, regardless of the software, hardware, or operating system used to view or print it. **How do I create a Cabasse Cd Player Manual PDF?** There are several ways to create a PDF: Use software like Adobe Acrobat, Microsoft Word, or Google Docs, which often have built-in PDF creation tools. Print to PDF: Many applications and operating systems have a "Print to PDF" option that allows you to save a document as a PDF file instead of printing it on paper. Online converters: There are various online tools that can convert different file types to PDF. **How do I edit a Cabasse Cd Player Manual PDF?** Editing a PDF can be done with software like Adobe Acrobat, which allows direct editing of text, images, and other elements within the PDF. Some free tools, like PDFescape or Smallpdf, also offer basic editing capabilities. **How do I convert a Cabasse Cd Player Manual PDF to another file format?** There are multiple ways to convert a PDF to another format: Use online converters like Smallpdf, Zamzar, or Adobe Acrobats export feature to convert PDFs to formats like Word, Excel, JPEG, etc. Software like Adobe Acrobat, Microsoft Word, or other PDF editors may have options to export or save PDFs in different formats. **How do I password-protect a Cabasse Cd Player Manual PDF?** Most PDF editing software allows you to add password protection. In Adobe Acrobat, for instance, you can go to "File" -> "Properties" -> "Security" to set a password to restrict access or editing capabilities. Are there any free alternatives to Adobe Acrobat for working with PDFs? Yes, there are many free alternatives for working with PDFs, such as: LibreOffice: Offers PDF editing features. PDFsam: Allows splitting, merging, and editing PDFs. Foxit Reader: Provides basic PDF viewing and editing capabilities. How do I compress a PDF file? You can use online tools like Smallpdf, ILovePDF, or desktop software like Adobe Acrobat to compress PDF files without significant quality loss. Compression reduces the file size, making it easier to share and download. Can I fill out forms in a PDF file? Yes, most PDF viewers/editors like Adobe Acrobat, Preview (on Mac),

or various online tools allow you to fill out forms in PDF files by selecting text fields and entering information. Are there any restrictions when working with PDFs? Some PDFs might have restrictions set by their creator, such as password protection, editing restrictions, or print restrictions. Breaking these restrictions might require specific software or tools, which may or may not be legal depending on the circumstances and local laws.

Find Cabasse Cd Player Manual :

finite mathematics & its applications 11th edition

[fire on earth an introduction](#)

[finden ihren traumberuf mittels social ebook](#)

fire raisers freaks and fiends obsessive arsonists in the california foothills

[first class scoundrel holiday special set](#)

first english dictionary 1604 alphabeticall

[fireman kelly schedule 2015](#)

finde dein gl ck wolfdietrich hoeveler ebook

fire inspector ii study guide

finding hope find me series 3

[firestars quest warriors super edition](#)

fireproof games jobs

[finder volume 7 desire in the viewfinder yaoi manga](#)

[first aid course training manual slsa](#)

fire sign portatrice krips italian

Cabasse Cd Player Manual :

suchergebnis auf amazon de für kinder backbuch - Feb 27 2023

web nov 4 2021 das grosse backbuch für kinder leckere backrezepte für kinder zum selberbacken kekse kuchen muffins waffeln cake pops weihnachtsplätzchen die besten backrezepte mit und ohne zucker

das grosse buch vom backen amazon de bücher - Jun 21 2022

web viele tolle grundrezepte mengenrabatte business preise und mehr für unternehmen das grosse buch vom backen isbn 9783625108993 kostenloser versand für alle bücher mit versand und verkauf duch amazon

backen mit kindern tipps und rezepte lecker - Jul 23 2022

web nov 20 2020 ob lustige muffins kekse stockbrot oder pizza mit unseren einfachen rezepten und hilfreichen tipps wird das backen mit kindern zum highlight für für groß und klein du suchst noch nach praktischen küchenhelfern oder passenden buchempfehlungen

dasgrossebackbuchfurkinderleckerebackrezept download - Feb 15 2022

web das grosse backbuch für kinder leckere backrezepte für kinder zum selberbacken kekse kuchen muffins waffeln cake pops weihnachtsplätzchen die besten backrezepte mit und ohne zucker nahrungsmittelintoleranzen bei kindern das grosse zuckerfrei backen buch für anfänger dampfgarer kochbuch xxl 250

das grosse backbuch für kinder leckere backrezepte für kinder - May 21 2022

web das grosse backbuch für kinder leckere backrezepte für kinder zum selberbacken kekse kuchen muffins waffeln cake pops weihnachtsplätzchen die besten backrezepte mit und ohne zucker by shenay joy hayek

backbücher für kinder vielfältige rezeptideen für die kleinsten - Sep 24 2022

web für kleine hobby bäcker backbücher für kinder ihr kleiner schatz liebt es teige zu kneten kekse zu backen oder kuchen zu verzieren dann bereiten sie ihm eine freude und bestellen sie backbücher für kinder in unserem online shop denn diese beinhalten leckere rezeptideen die sie gemeinsam nachbacken können

das große kinder koch und backbuch die schönsten rezepte - Sep 05 2023

web für unternehmen das große kinder koch und backbuch die schönsten rezepte für jede jahreszeit bohatta ida cramm dagmar von amazon de bücher

das große backen deutschlands beste hobbybäckerin amazon de - Mar 19 2022

web das große backen deutschlands beste hobbybäckerin das siegerbuch 2018 frenzel ralf isbn 9783960330387 kostenloser versand für alle bücher mit versand und verkauf duch amazon das große backen deutschlands beste hobbybäckerin das siegerbuch 2018 frenzel ralf amazon de bücher

das grosse backbuch für kinder leckere backrezepte für kinder - Oct 06 2023

web alle formate und editionen anzeigen backrezepte für kinder zum selberbacken kekse weihnachtsplätzchen waffeln cake pops muffins kuchen dieses backbuch ist für kinder geeignet um selbständig backen zu lernen alle rezepte sind weitestgehend zuckerfrei und vegan

das grosse backbuch für kinder leckere backrezepte für kinder - Apr 19 2022

web das grosse backbuch für kinder leckere backrezepte für kinder zum selberbacken kekse kuchen muffins waffeln cake pops weihnachtsplätzchen die besten backrezepte mit und ohne zucker by shenay joy hayek

backbücher viele tolle bücher mit backrezepten kaufen thalia - Jun 02 2023

web kinderleicht backen nach bildern das clevere back set für kinder ab 6 jahren buch gebundene ausgabe

backen mit kindern rezepte und mehr dr oetker - Nov 26 2022

web der spaß darf natürlich nicht fehlen wenn mit den nachwuchsbäckerinnen und bäckern bunte kuchen leckere muffins oder kleine törtchen entstehen deshalb haben wir hier unsere liebsten rezepte zum backen mit kindern zusammengestellt das große kinder koch und backbuch thalia - Jul 03 2023

web das große kinder koch und backbuch die schönsten rezepte für jede jahreszeit ida bohatta dagmar cramm buch gebundene ausgabe

das backbuch für mädchen einfache und leckere backrezepte - Jan 29 2023

web emely piech das backbuch für mädchen einfache und leckere backrezepte mit bildern für teenager taschenbuch 21 september 2022 von emely piech autor 4 4 71 sternbewertungen bestseller nr 1 in literaturkritik 17 jahrhundert alle formate und editionen anzeigen

backen mit kindern die schönsten leckersten rezeptideen - Oct 26 2022

web schnelle einfache leckere rezepte muffins kuchen plätzchen kekse mit unseren einfachen kunterbunten und leckeren rezepten wird das backen mit kindern zum riesenspaß probiert unsere rezepte für kleine nachwuchsbäckerinnen und bäcker gleich aus foto maria panzer einfach backen

backbücher für kinder vielfältige rezeptideen für die kleinsten - Dec 28 2022

web kochbücher für kinder die ideale wahl für kleine nachwuchs köche ihr kind liebt es ihnen in der küche zur seite zu stehen und tatkräftig mitanzupacken dann kaufen sie ihm ein kochbuch aus unserem sortiment denn dieses enthält leckere rezepte die kinderleicht und schnell zuzubereiten sind

das grosse backbuch für kinder leckere backrezepte für kinder - May 01 2023

web bei bücher de kaufen sie dieses buch portofrei das grosse backbuch für kinder leckere backrezepte für kinder zum stöbern sie im onlineshop von buecher de und kaufen sie ihre artikel versandkostenfrei und ohne mindestbestellwert

das große backbuch unsere besten backrezepte kochen - Aug 24 2022

web das große backbuch unsere besten backrezepte kochen genießen gebundene ausgabe 2 april 2012 4 6 61 sternbewertungen alle formate und editionen anzeigen gebundenes buch 10 71 4 gebraucht ab 10 71

das grosse backbuch für kinder leckere backrezepte - Mar 31 2023

web dieses backbuch ist für kinder geeignet um selbständig backen zu lernen alle rezepte sind weitestgehend zuckerfrei und vegan schritt für schritt erklärt shenay 13 jahre alt wie sie selbst vorgeht kinder können auf diesem wege alles perfekt nachbacken

backbücher für kinder vielfältige rezeptideen für die kleinsten - Aug 04 2023

web kochbücher für kinder die ideale wahl für kleine nachwuchs köche ihr kind liebt es ihnen in der küche zur seite zu stehen und tatkräftig mitanzupacken dann kaufen sie ihm ein kochbuch aus unserem sortiment denn dieses enthält leckere rezepte die kinderleicht und schnell zuzubereiten sind

[admissions financial aid apply to und university of north](#) - Aug 11 2022

web oct 19 2023 und today is the university s official online news source supporting strategic goals that ensure und s place as the chief opportunity engine and premier

und nedir und ne demek fx nakliyat lojistik - Dec 15 2022

web und or und may refer to und hungary a village und a 1999 play by howard barker university of north dakota a public university in grand forks north dakota university

und İstanbul İftar yemeği uluslararası nakliyeciler derneği - Feb 05 2022

und academics college degrees university of north dakota - Oct 13 2022

web und and and and what of it and and and and learn more in the cambridge german english dictionary

academic calendar university of north dakota - Apr 07 2022

university of north dakota wikipedia - Mar 18 2023

web jul 19 2022 und nedir uluslararası nakliyat sektöründe sıkça kullanılır bir organizasyon veya birlik olarakta bilinmektedir sektör temsilcilerinin bir araya gelerek oluşturduğu bir

uluslararası nakliyeciler derneği - Jan 16 2023

web see how our students are making a positive impact locally nationally and beyond read their stories earn your college degree online or on campus at the university of north

und İstanbul avusturya başkonsolosluğu - May 20 2023

web jan 31 2021 lojistik sekto ru giris imcilerinin ikinci u c u ncu kus ak temsilcilerini geleceğin dünyasına hazırlamak için kurulan genc und akademi nin en önemli hedeflerinden

[und wikipedia](#) - Sep 12 2022

web what we do due to the powers vested in its charter and its unique international character the united nations can take action on the issues confronting humanity in the 21st

about und grand forks nd university of north - Feb 17 2023

web explore programs use our interactive program finder to explore und programs filter your search by program type field of study and format or type a keyword to get started filter

und today university of north dakota s official news source - May 08 2022

web apr 13 2022 haberler und İstanbul İftar yemeĖi derneĖimizin İstanbul İftar yemeĖi 26 nisan 2022 salı gn crowne plaza İstanbul asia otelde yapılacaktır

united nations peace dignity and equality on a healthy planet - Jun 09 2022

web find academic financial and campus resources and student events for current und online and on campus students
current students university of north dakota - Mar 06 2022

uluslararası nakliyeciler derneĖi und - Sep 24 2023

web und brksel heyeti sektr gndemlerini paylařmak zere avrupa parlamentosu nda temaslar gerekleřtirdi avrupa birliĖi daimi temsilcimiz bykeli sayın faruk

und translate german to english cambridge dictionary - Jul 10 2022

web oct 27 2023 academic calendar und s official academic calendar varies if you are an undergraduate graduate medicine law or online student view important dates and

gen und akademi İlk sertifika programıyla gl bir gelecek - Apr 19 2023

web und brksel heyeti sektr gndemlerini paylařmak zere avrupa parlamentosu nda temaslar gerekleřtirdi 13 10 2023 avrupa birliĖi daimi temsilcimiz bykeli sayın

explore 250 academic programs at und university of north - Nov 14 2022

web discover what being a und fighting hawk is all about schedule a campus visit review college admission requirements and learn how to apply for financial aid at the university

und grand forks nd university of north dakota - Jun 21 2023

web und heyeti İstanbul avusturya bařkonsolosu sayın gerhard lutz u makamında ziyaret etti yapılan grřmede avusturya ya tařımacılık faaliyeti gerekleřtiren firmaların vize

und İstanbul ticaret niversitesi İřbirliĖiyle yksek lisans ve - Jul 22 2023

web und İstanbul ticaret niversitesi İřbirliĖiyle yksek lisans ve doktora programlarında sektre zel İndirim kapat gl lojistik gl trkiye

gl lojistik gl trkiye und - Aug 23 2023

web 26 rows sep 22 2023 und hukuk alıřma grubu 2022 yılı faaliyet raporu

econ2101 unsw past papers uniport edu ng - Nov 28 2021

web jun 26 2023 econ2101 unsw past papers 2 11 downloaded from uniport edu ng on june 26 2023 by guest modern labor economics ronald g ehrenberg 2016 04 20 for one

econ2101 micro 2 r unsw reddit - Jan 11 2023

web explore the term 3 2020 course outlines for econ2102 macroeconomics 2 and get information on how each course was structured along with assessment details and

econ2101 course outlines microeconomics 2 unsw - Apr 14 2023

web dec 19 2018 econ2101 microeconomics 2 absolute joke if you enjoy the quantitative side behind micro 1 found this easier than micro 1 you ll need calculus for this course

unsw course reviews atar notes - Sep 07 2022

web does anyone have an past papers notes for acct1501 mgmt1001 econ1101 or econ1203 advertisement coins 0 coins premium powerups explore gaming valheim genshin

econ2101 unsw past papers uniport edu ng - Sep 26 2021

econ 2101 qma unsw course hero - May 15 2023

web explore the current course outline for econ2101 microeconomics 2 for information on how each course was structured assessment details resources key policies and support

econ2101 unsw past papers uniport edu ng - Apr 02 2022

web jun 25 2023 econ2101 unsw past papers 2 10 downloaded from uniport edu ng on june 25 2023 by guest consumer and producer theory to market structure perfect

econ2101 unsw past papers lia erc gov ph - May 03 2022

web aug 19 2023 econ2101 unsw past papers 2 12 downloaded from uniport edu ng on august 19 2023 by guest insights from empirical research in a range of economies with

puzzles academy - Jan 31 2022

web jun 10 2023 we meet the expense of econ2101 unsw past papers and numerous ebook collections from fictions to scientific research in any way among them is this econ2101

first year commerce r unsw reddit - Aug 06 2022

web econ2101 unsw past papers advances in knowledge acquisition and management mar 26 2021 this book constitutes the thoroughly refereed post proceedings of the 2006

econ2101 course outlines summer 2021 unsw - Jun 16 2023

web university of new south wales unsw professor professorslist econ2101 preferences and utility notes pdf 1 pages z5264633 written answer 2 week 4 pdf

unsw subject reviews page 42 bored of studies - Mar 13 2023

web looking for high quality revision notes sample exam papers and private tutoring to excel in your unsw sydney courses
our 2023 updated study materials cover all the bases for

econ2102 course outlines term 3 2020 unsw business - Dec 10 2022

web handbook

econ2101 unsw past papers uniport edu ng - Oct 28 2021

web jun 2 2023 friendly australian focussed style of previous editions this new edition continues to provide students with a detailed understanding of the accounting framework

econ2101 unsw sydney microeconomics 2 studocu - Aug 18 2023

web studying econ2101 microeconomics 2 at university of new south wales on studocu you will find 34 assignments 32 practice materials 11 lecture notes and much more

handbook - Nov 09 2022

web with the money for econ2101 unsw past papers and numerous books collections from fictions to scientific research in any way accompanied by them is this econ2101

download free econ2101 unsw past papers - Jul 05 2022

web the past and future of econ 101 the john r commons award lecture n gregory mankiw nber working paper no 26702 january 2020 jel no a2 abstract the

the past and future of econ 101 national bureau of economic - Jun 04 2022

web papers title ebooks econ2101 unsw past papers category kindle and ebooks pdf author unidentified econ3101 past papers unsw buysms de april 27th 2018 read

econ2101 unsw past papers uniport edu ng - Mar 01 2022

web sep 15 2022 7bf3c1 econ2101 unsw past papers 1 read pdf econ2101 unsw past papers if you ally dependence such a referred econ2101 unsw past papers books that

econ2101 unsw past papers uniport edu ng - Dec 30 2021

web jun 22 2023 by guides you could enjoy now is econ2101 unsw past papers below science focus rochelle manners 2010 the science focus second edition is the

past exam papers unsw current students - Jul 17 2023

web past exam papers the examination board provides the library with some exam papers from the past 5 years find out how you can access past exam papers

econ2101 unsw past papers moodle morganintl com - Oct 08 2022

web jan 15 2018 a few past papers provided some more obtained through the lecturer textbook nil lecturer s dr lee zhao dr

jie du year semester of completion 2017 2

unsw sydney exam papers revision notes and private - Feb 12 2023

web maybe like mid 60s the homework had an average of like 65 70 but the final that term was horrific also did it t2 last year and it s definitely not you yeah it was pretty hard