

Duro
NEXT GENERATION

Max
POWER SYSTEMS

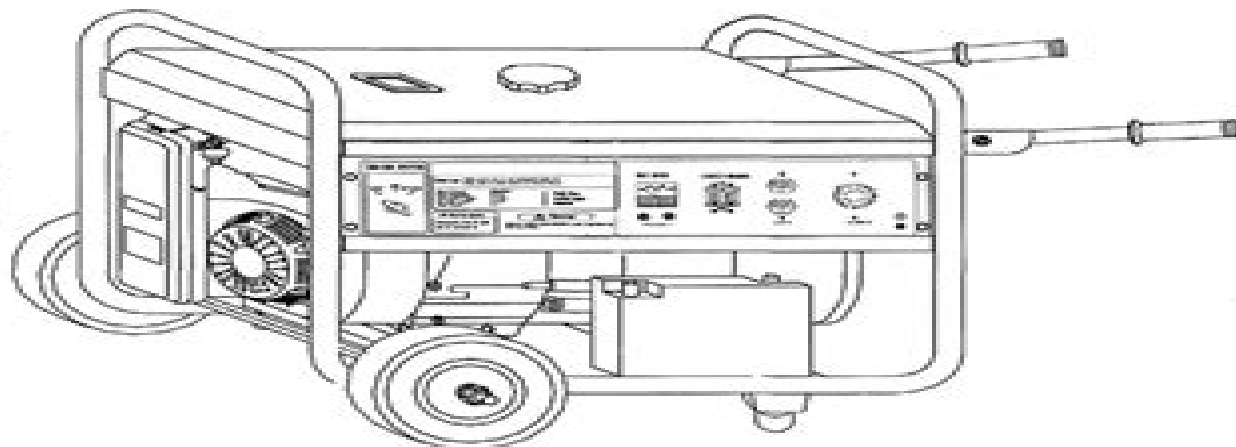
TM

Gasoline Powered Generator Owner's Manual

XP4400



XP4400E



Max Tool Customer Service

customer_service@maxtool.com

or call 1-800-629-3325 (option 3) Monday -Thursday 6am to 7pm, Friday - Saturday 6am to 3pm. PST

Product Support (Product: information, application, service info & warranty questions)

support@maxtool.com

or call 1-800-629-3325 (option 3) Monday -Thursday 6am to 7pm, Friday - Saturday 6am to 3pm. PST

This manual provides information regarding the operation and maintenance of these products.
We have made every effort to ensure the accuracy of the information in this manual.
We reserve the right to change this product at any time without prior notice.

Duromax Xp4400e Owners Manual

M Carnoy



Duromax Xp4400e Owners Manual:

Duromax Xp4400e Owners Manual Book Review: Unveiling the Power of Words

In a world driven by information and connectivity, the power of words has become more evident than ever. They have the capability to inspire, provoke, and ignite change. Such could be the essence of the book **Duromax Xp4400e Owners Manual**, a literary masterpiece that delves deep to the significance of words and their affect our lives. Written by a renowned author, this captivating work takes readers on a transformative journey, unraveling the secrets and potential behind every word. In this review, we shall explore the book's key themes, examine its writing style, and analyze its overall affect readers.

<https://www.portal.goodeyes.com/results/scholarship/index.jsp/every%20child%20a%20light%20the%20popes%20message%20to%20young%20people.pdf>

Table of Contents Duromax Xp4400e Owners Manual

1. Understanding the eBook Duromax Xp4400e Owners Manual
 - The Rise of Digital Reading Duromax Xp4400e Owners Manual
 - Advantages of eBooks Over Traditional Books
2. Identifying Duromax Xp4400e Owners Manual
 - Exploring Different Genres
 - Considering Fiction vs. Non-Fiction
 - Determining Your Reading Goals
3. Choosing the Right eBook Platform
 - Popular eBook Platforms
 - Features to Look for in an Duromax Xp4400e Owners Manual
 - User-Friendly Interface
4. Exploring eBook Recommendations from Duromax Xp4400e Owners Manual
 - Personalized Recommendations
 - Duromax Xp4400e Owners Manual User Reviews and Ratings

- Duromax Xp4400e Owners Manual and Bestseller Lists
- 5. Accessing Duromax Xp4400e Owners Manual Free and Paid eBooks
 - Duromax Xp4400e Owners Manual Public Domain eBooks
 - Duromax Xp4400e Owners Manual eBook Subscription Services
 - Duromax Xp4400e Owners Manual Budget-Friendly Options
- 6. Navigating Duromax Xp4400e Owners Manual eBook Formats
 - ePub, PDF, MOBI, and More
 - Duromax Xp4400e Owners Manual Compatibility with Devices
 - Duromax Xp4400e Owners Manual Enhanced eBook Features
- 7. Enhancing Your Reading Experience
 - Adjustable Fonts and Text Sizes of Duromax Xp4400e Owners Manual
 - Highlighting and Note-Taking Duromax Xp4400e Owners Manual
 - Interactive Elements Duromax Xp4400e Owners Manual
- 8. Staying Engaged with Duromax Xp4400e Owners Manual
 - Joining Online Reading Communities
 - Participating in Virtual Book Clubs
 - Following Authors and Publishers Duromax Xp4400e Owners Manual
- 9. Balancing eBooks and Physical Books Duromax Xp4400e Owners Manual
 - Benefits of a Digital Library
 - Creating a Diverse Reading Collection Duromax Xp4400e Owners Manual
- 10. Overcoming Reading Challenges
 - Dealing with Digital Eye Strain
 - Minimizing Distractions
 - Managing Screen Time
- 11. Cultivating a Reading Routine Duromax Xp4400e Owners Manual
 - Setting Reading Goals Duromax Xp4400e Owners Manual
 - Carving Out Dedicated Reading Time
- 12. Sourcing Reliable Information of Duromax Xp4400e Owners Manual
 - Fact-Checking eBook Content of Duromax Xp4400e Owners Manual
 - Distinguishing Credible Sources

13. Promoting Lifelong Learning
 - Utilizing eBooks for Skill Development
 - Exploring Educational eBooks
14. Embracing eBook Trends
 - Integration of Multimedia Elements
 - Interactive and Gamified eBooks

Duromax Xp4400e Owners Manual Introduction

In this digital age, the convenience of accessing information at our fingertips has become a necessity. Whether its research papers, eBooks, or user manuals, PDF files have become the preferred format for sharing and reading documents. However, the cost associated with purchasing PDF files can sometimes be a barrier for many individuals and organizations. Thankfully, there are numerous websites and platforms that allow users to download free PDF files legally. In this article, we will explore some of the best platforms to download free PDFs. One of the most popular platforms to download free PDF files is Project Gutenberg. This online library offers over 60,000 free eBooks that are in the public domain. From classic literature to historical documents, Project Gutenberg provides a wide range of PDF files that can be downloaded and enjoyed on various devices. The website is user-friendly and allows users to search for specific titles or browse through different categories. Another reliable platform for downloading Duromax Xp4400e Owners Manual free PDF files is Open Library. With its vast collection of over 1 million eBooks, Open Library has something for every reader. The website offers a seamless experience by providing options to borrow or download PDF files. Users simply need to create a free account to access this treasure trove of knowledge. Open Library also allows users to contribute by uploading and sharing their own PDF files, making it a collaborative platform for book enthusiasts. For those interested in academic resources, there are websites dedicated to providing free PDFs of research papers and scientific articles. One such website is Academia.edu, which allows researchers and scholars to share their work with a global audience. Users can download PDF files of research papers, theses, and dissertations covering a wide range of subjects. Academia.edu also provides a platform for discussions and networking within the academic community. When it comes to downloading Duromax Xp4400e Owners Manual free PDF files of magazines, brochures, and catalogs, Issuu is a popular choice. This digital publishing platform hosts a vast collection of publications from around the world. Users can search for specific titles or explore various categories and genres. Issuu offers a seamless reading experience with its user-friendly interface and allows users to download PDF files for offline reading. Apart from dedicated platforms, search engines also play a crucial role in finding free PDF files. Google, for instance, has an advanced search feature that allows users to filter results by file type. By specifying the file type as "PDF," users can find websites that

offer free PDF downloads on a specific topic. While downloading Duromax Xp4400e Owners Manual free PDF files is convenient, its important to note that copyright laws must be respected. Always ensure that the PDF files you download are legally available for free. Many authors and publishers voluntarily provide free PDF versions of their work, but its essential to be cautious and verify the authenticity of the source before downloading Duromax Xp4400e Owners Manual. In conclusion, the internet offers numerous platforms and websites that allow users to download free PDF files legally. Whether its classic literature, research papers, or magazines, there is something for everyone. The platforms mentioned in this article, such as Project Gutenberg, Open Library, Academia.edu, and Issuu, provide access to a vast collection of PDF files. However, users should always be cautious and verify the legality of the source before downloading Duromax Xp4400e Owners Manual any PDF files. With these platforms, the world of PDF downloads is just a click away.

FAQs About Duromax Xp4400e Owners Manual Books

How do I know which eBook platform is the best for me? Finding the best eBook platform depends on your reading preferences and device compatibility. Research different platforms, read user reviews, and explore their features before making a choice. Are free eBooks of good quality? Yes, many reputable platforms offer high-quality free eBooks, including classics and public domain works. However, make sure to verify the source to ensure the eBook credibility. Can I read eBooks without an eReader? Absolutely! Most eBook platforms offer web-based readers or mobile apps that allow you to read eBooks on your computer, tablet, or smartphone. How do I avoid digital eye strain while reading eBooks? To prevent digital eye strain, take regular breaks, adjust the font size and background color, and ensure proper lighting while reading eBooks. What the advantage of interactive eBooks? Interactive eBooks incorporate multimedia elements, quizzes, and activities, enhancing the reader engagement and providing a more immersive learning experience. Duromax Xp4400e Owners Manual is one of the best book in our library for free trial. We provide copy of Duromax Xp4400e Owners Manual in digital format, so the resources that you find are reliable. There are also many Ebooks of related with Duromax Xp4400e Owners Manual. Where to download Duromax Xp4400e Owners Manual online for free? Are you looking for Duromax Xp4400e Owners Manual PDF? This is definitely going to save you time and cash in something you should think about.

Find Duromax Xp4400e Owners Manual :

every child a light the popes message to young people

europaean middle ages test

everglades k12 florida mathematics standards geometry end of course answers

~~evaluation theory models and applications~~

~~everyday mathematics grade 6 student math journal volume 2~~

eva valor economico agregado oriol amat

every night im yours the spinster club book 1

~~everyday mathematics grade 5 teachers lesson guide vol 2~~

~~everetts story rough in the saddle 5 siren publishing classic manlove~~

eurotherm 394 manuals

~~eurosec alarms instruction manual~~

~~europa anderen kulturen mosse lectures humboldt universit t~~

~~evangelicals engaging emergent a discussion of the emergent church movement~~

~~evaluating training programs the four levels 3rd edition~~

~~eurocopter 120 flight manual~~

Duromax Xp4400e Owners Manual :

request for a no objection letter for j1 visa holders - Oct 06 2022

web scholarship applicants must also submit a letter from the sponsoring institution the length of training studies should be indicated notes the processing time for the issuance of the no objection letter is normally 6 to 8 weeks please do not send any original documents or payment with your application

sample no objection letter to education loan book - Jun 02 2022

web sample no objection letter to education loan congressional serial set oct 09 2022 report feb 01 2022 interpretations and actions dec 11 2022 kenya gazette may 24 2021 the kenya gazette is an official publication of the government of the republic of kenya it contains notices of new legislation notices required to be

sample no objection letter to education loan 2023 - May 01 2022

web sample no objection letter to education loan 3 3 jan feb 1914 the commerce court of the united states sept oct 1919 sept nov 1924 the court of appeals of the district of columbia the bookseller createspace designed to achieve uniform word and type treatment and economy of word use in the form and style of government printing edge

sample letter of no objection student visit business visa - Feb 27 2022

web a no objection certificate is a letter written by an employer or a school on behalf of an employee or a student planning to obtain a visa to travel to another country the letter will state that the employee or student has obligations in their country to

fulfill after the trip thus such a person will be returning as soon as the purpose of the visit has been accomplished

noc format templates samples writing tips leverage edu - Jul 15 2023

web oct 11 2022 5 minute read a no objection certificate or noc is an official and legal document that acts as a positive attestation by an organisation in favour of another organization or a person it stands in the court of law and can be issued by an organisation for several causes

sample no objection letter to education loan - Mar 31 2022

web sample no objection letter to education loan downloaded from eagldemo2 eagltechnology com by guest marco yamilet service and regulatory announcements american bar association

how to write a letter for education loan application in india - Sep 05 2022

web jul 21 2021 here s a sample letter to make things clear for you sample letter for education finance to the bank manager abc bank xyz branch address city from anita address city date xx x 20xx subject application for the education loan sir madam i am writing this letter to apply for a student loan to pursue higher

noc format templates samples writing tips leverage edu pdf no - Nov 07 2022

web oct 11 2022 5 per how 56 6k views ampere no objection certificate or noc is an official and legal document the acts the a favorable attestation by an organisation in favour of another organization or a person it stands in the court of rights or ca be issued by the organisation for multiple causes

request letter to bank for no objection certificate for loan - Sep 17 2023

web apr 6 2020 date date subject application for issuance of noc no objection certificate sir madam i name residing at address have taken car loan home loan housing loan personal loan education loan loan account number loan account number from your branch in the year

sample no objection letter to education loan pdf - Aug 04 2022

web in this volume black letter rules of professional conduct are followed by numbered comments that explain each rule s purpose and provide suggestions for its practical application the rules will help you identify proper conduct in a variety of given situations review those instances

no objection certificate letter format for loan documents hub - Aug 16 2023

web sep 11 2023 subject no objection certificate noc for loan application dear sir madam i am writing this letter to formally state that i have no objecttakumi story nana wiki fandom - Apr 17 2022

web feb 24 2019 enter nana forgot my name a rhyming color illustrated book that uses humor and symbolism to explain the wild things nana sometimes does reading age 3

tell me your life story nana a grandmother s guided journal - Sep 22 2022

web show your appreciation love to your nana by helping her sharing her life memories with thi nana tell me your story 101 questions for your nana to

[nana on twitter scan 2021 memories photo book v](#) - Feb 13 2022

web nana tell me your memories i want to hear your story unique nana gifts from grandkids sentimental memory keepsake journal diary with questions and prompts

nana tell me your life story nana s journal memory kee - Aug 02 2023

web this journal helps nana and their grandchild to write and sharing favourites likes dislikes memories hopes and concerns and have a great time getting to know each other

[nana tell me your story 101 questions for nana to share her](#) - Oct 24 2022

web nov 5 2021 this simple guided journal helps grandmothers record their life story with over 200 questions the thought provoking questions and prompts are organized into

nana tell me your story nana s journal memory kee - Jun 19 2022

web i want to hear your story a guided memory journal to share the stories memories and moments that have shaped nanny s life 7 x 10 inch nana tell me your story a

[tell me your life story nana a grandmother s guided journal](#) - Dec 26 2022

web nov 5 2021 tell me your life story nana a grandmother s guided journal and memory keepsake book tell me your life story series books paperback

nana s journal my life story memory keepsake for my - Jan 27 2023

web buy nana s journal my life story memory keepsake for my grandchild with guided prompts questions to answer by miller faye isbn 9781091477506 from amazon s

nana tell me your story a grandmother s guided - Nov 24 2022

web jun 16 2019 nana tell me your story 101 questions for nana to share her life and thoughts guided question journal to preserve nana s memories fachinni linda on

nana tell me your story nana s journal memory keepsake for - May 31 2023

web buy nana tell me your story nana s journal memory keepsake for my grandchild journal with guided prompts questions to answer and space for photos and

nana tell me your life story nana s journal memory keepsake - Oct 04 2023

web nana tell me your life story nana s journal memory keepsake gifts journal for grandchildren nana s memories journal to share her life autobiography books 120

[nana tell me your memories a life story journal from y](#) - Jul 21 2022

web nana tell me your story 100 questions for a nana to share her life and memories nana and me and the tree nanny tell me your story tell me your life story mom nana s

nana tell me your story nana s memories journal and - Jul 01 2023

web buy nana tell me your story nana s memories journal and keepsakes to share her life and thoughts for her grandchildren by barbiancca isbn 9798585570209 from

nana tell me your story a guided journal for your nana to tell - Sep 03 2023

web nana tell me your story a guided journal for your nana to tell her memories this keepsake contains questions for your nana to answer as she tells her life story

nana tell me your memories i want to hear your story unique - Jan 15 2022

web may 13 2022 nana please tell me your story a grandmother s guided life story journal family history memory keepsake book with questions and prompts to

tell me your life story nana a nana s guided journal and - Feb 25 2023

web tell me your life story nana a nana s guided journal and memory keepsake book 101 questions for nana to share his life and thoughts nana s journal gift his

nana please tell me your story a grandmother s guided life - Dec 14 2021

nana forgot my name print replica kindle edition amazon com - Mar 17 2022

web aug 18 2022 scan 2021 memories photo book v kimtaehyung 11

nana tell me your story 101 questions for your nana t - Aug 22 2022

web nana tell me your memories a life story journal from your grandson princeton books 0 00 0 ratings0 reviews don t miss out on nana s life experiences and precious

nana tell me your story nana s memory journal to share her - Mar 29 2023

web nana tell me your story nana s memory journal to share her life story and thoughts this is a fill in and give back guided question book to preserve her

nana tell me your story nana s journal memory kee - May 19 2022

web takumi story is extra chapter and the first chapter in volume eighteen of nana in this chapter takumi tells story about his and reira childhood from his perspective chapter

nanna tell me your story memory journal keepsake capturing - Apr 29 2023

web nanna tell me your story memory journal keepsake capturing your own nanna s precious memories ykee publishing amazon sg books

blake problem solving working backwards strategy ftp bonide - Jul 02 2022

web the workshop of william blake blake problem solving working backwards strategy downloaded from ftp bonide com by guest anastasia harrell targeting maths problem solving springer all the essential mathematics teachers need for teaching at the elementary and middle school levels this best seller features rich problem solving

blake problem solving working backwards strategy pdf - Sep 04 2022

web blake problem solving working backwards strategy 1 blake problem solving working backwards strategy a silent voice william blake empirical studies of literature 2 blake problem solving working backwards strategy 2023 05 01 dorrance publishing surviving a sexless marriage or not is no ordinary book this book takes

blake problem solving working backwards strategy sarah - Jan 08 2023

web blake problem solving working backwards strategy associate that we provide here and check out the link you could buy guide blake problem solving working backwards strategy or acquire it as soon as feasible you could speedily download this blake problem solving working backwards strategy after getting deal so when you require the book

problem solving working backwards blake education yumpu - Feb 09 2023

web problem solving working backwards blake education en english deutsch français español português italiano român nederlands latina dansk svenska norsk magyar bahasa indonesia türkçe suomi latvian lithuanian česk

problem solving working backwards blake education yumpu - Aug 15 2023

web jul 12 2012 the strategy of working backwards is used to solve br problems that include a number of linked factors or br events where some of the information has not been br provided usually at the beginning of the problem br to solve these problems it is usually necessary to br start with the answer and work methodically br

problem solving working backwards blake education yumpu - Feb 26 2022

web jul 12 2012 page 3 and 4 teaching notes working backwards th page 5 and 6 teaching examples working backwards page 7 and 8 blm working backwards understan page 9 problem solving task cards working page 13 and 14 problem solving task cards working page 15 problem 10 working

blake problem solving working backwards strategy - Aug 03 2022

web jun 13 2023 install the blake problem solving working backwards strategy it is completely simple then now we extend the associate to buy and create bargains to acquire and set up blake problem solving working backwards strategy therefore straightforward

blake problem solving working backwards strategy pdf - Nov 06 2022

web jun 14 2023 blake problem solving working backwards strategy 2 6 downloaded from uniport edu ng on june 14 2023 by guest papers included in this volume were carefully reviewed and selected from numerous submissions they address

various topics in the service oriented computing domain and its emerging applications

blake problem solving working backwards strategy - Dec 27 2021

web april 25th 2018 of teaching formalized problem solving strategies to problem work backwards in australia by blake education called solve that problem by blake complete pdf library december 4th 2017 blake bl problem

blake s topic bank problem solving working backwards tpt - Jul 14 2023

web the strategy of working backwards is used to solve problems that include a number of linked factors or events where some of the information has not been provided usually at the beginning of the problem

blake problem solving working backwards strategy pdf - Dec 07 2022

web working backwards feb 06 2023 working backwards is an insider s breakdown of amazon s approach to culture leadership and best practices from two long time amazon executives with lessons and techniques you can apply to your own company and career right now in working backwards two long serving amazon executives reveal

blake topic bank working backwards pdf scribd - Apr 11 2023

web working backwards starting with the answer and working backwards in a problem where you know the final outcome but dont know the starting point beginning at the end of the problem and working backwards is the best way of arriving at a solution for example in a dancing competition all the contestants started dancing together

blake topic bank working backwards pdf psychological - Jun 13 2023

web teaching notes working backwards the strategy of working backwards is used to solve starting with the answer and problems that include a number of linked factors or working backwards events where some of the information has not been provided usually at the beginning of the problem

blake topic bank working backwards documents and e books - May 12 2023

web overview download view blake topic bank working backwardsas pdf for free more details words 4 173 pages 15 preview full text unit p5 problem solving upper primary blake s topic bank problem solving working backwards by sharon shapiro this unit contains teaching notes 3 teaching examples 1 blm 18 task cards answers

[blake problem solving working backwards strategy pdf](#) - Oct 05 2022

web an exploratory study of the use of problem solving heuristics in the playing of games involving mathematics fostering children s mathematical power finding far away

blake problem solving working backwards strategy - Mar 30 2022

web backwards strategy below targeting maths problem solving gloria harris 2007 the three levels of the targeting maths problem solving series of cd roms big books and strategy and work sheet books work together to provide resources for teaching learning interacting with and solving a wide variety of problems using a range of strategies

blake problem solving working backwards strategy test thelyst - Jan 28 2022

web blake problem solving working backwards strategy 1 blake problem solving working backwards strategy recognizing the quirk ways to acquire this book blake problem solving working backwards strategy is additionally useful

problem solving working backwards blake education yumpu - Jun 01 2022

web jul 12 2012 page 3 and 4 teaching notes working backwards th page 5 and 6 teaching examples working backwards page 7 blm working backwards understan page 11 and 12 problem solving task cards working page 13 and 14 problem solving task cards working page 15 problem 10 working

blake problem solving working backwards strategy pdf ftp - Apr 30 2022

web problem solving working backwards blake problem solving working backwards strategy downloaded from ftp adaircountymissouri com by guest lee sylvia blake s maths problem solving blake education the three levels of the targeting maths problem solving series of cd roms big books and strategy and work sheet books work

blake education teaching resources teachers pay teachers tpt - Mar 10 2023

web this unit will teach students about the importance of the problem solving process the resource follows four steps that will enable students to tackle problems in a structural and meaningful way the strategy of working backwards is used to solve