

**1/18 MIDGET-SETUP SHEET**

Driver: JW Date: \_\_\_\_\_  
 Track Name: RENQ City/State: SAN ANTONIO TX  
 Surface: SPICE CARPET  Indoor  Outdoor (check one)  
 Race: \_\_\_\_\_ Start: \_\_\_\_\_ Finish: \_\_\_\_\_

**Left Front**

Tire Compound:  Std  Soft  
 Shock O-Ring:  Yes  No  
 Shock Type:  Plastic  Alum  
 Oil/Grease: KIT  
 Spring Length:  Standard  Short  
 Spring: Soft Med  Hard  
 Spring Preload: \_\_\_\_\_  
 Corner Weight: \_\_\_\_\_  
 Chassis Height: \_\_\_\_\_

**Electronics**

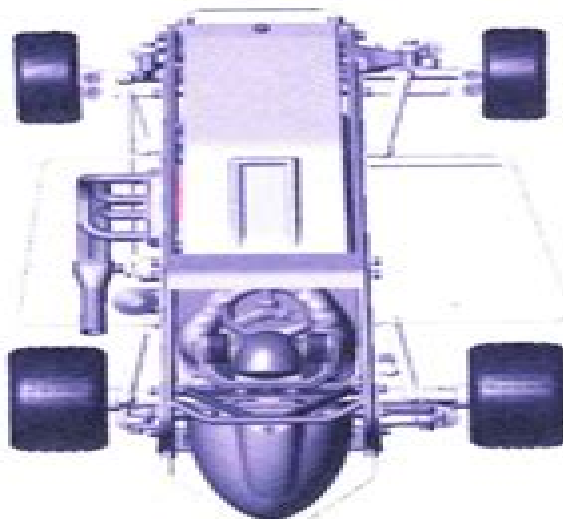
Servo: DIGITAL  
 ESC: KIT  
 Tx: BEI  
 Rx: KIT  
 Battery:  4 Cell  5 Cell  Other  
 Motor:  8700kv  10,000kv

**Left Rear**

Tire Compound:  Std  Soft  
 Shock O-Ring:  Yes  No  
 Shock Type:  Plastic  Alum  
 Oil/Grease: KIT  
 Spring Length:  Standard  Short  
 Spring:  Soft  Med  Hard  
 Spring Preload: \_\_\_\_\_  
 Hex Offset: WIDE  
 Corner Weight: \_\_\_\_\_  
 Chassis Height: \_\_\_\_\_

**Front**

King Pins: Screw  Solid  
 Toe: TUCK  
 Caster: STUCK  
 Total Car Weight: \_\_\_\_\_



CLEAN ONLY REAR TIRES

**Rear**

Other: \_\_\_\_\_

**Right Front**

Tire Compound:  Std  Soft  
 Shock O-Ring:  Yes  No  
 Shock Type:  Plastic  Alum  
 Oil/Grease: KIT  
 Spring Length:  Standard  Short  
 Spring: Soft Med  Hard  
 Spring Preload: \_\_\_\_\_  
 Corner Weight: \_\_\_\_\_  
 Chassis Height: \_\_\_\_\_

**Misc**

Hood: KIT  
 Servo Arm Hole:  Up  Lwr  
 Dual Rate Amount: \_\_\_\_\_  
 Motor Heatsink: Yes  No  
 Other: \_\_\_\_\_

*NO GLUE ON TIRE  
 IMPROPER*

**Right Rear**

Tire Compound:  Std  Soft  
 Shock O-Ring:  Yes  No  
 Shock Type:  Plastic  Alum  
 Oil/Grease: KIT  
 Spring Length:  Standard  Short  
 Spring:  Soft  Med  Hard  
 Spring Preload: \_\_\_\_\_  
 Hex Offset: WIDE  
 Corner Weight: \_\_\_\_\_  
 Chassis Height: \_\_\_\_\_

# Dirt Track Car Setup Guide

**Bob Bolles, R. C. Bolles**



## **Dirt Track Car Setup Guide:**

*Dirt Track Chassis and Suspension* HP1511 The Editor of Circle Track Magazine, 2007-07-03 Don't just make it fast make it state of the art Comprehensive and fully illustrated this technical guide covers all aspects of setup and design for dirt track racing

**Dirt Late Model Chassis Technology** Joe Garrison, Steve Smith, 2004 A complete guide to setting up and adjusting the Dirt Late Model race car and 4 link suspension Includes chassis setup and alignment setups for all track conditions and adjustments for common handling problems

*Motocross and Off-Road Motorcycle Setup Guide* Mark Thompson,

**Stock Car Setup Secrets** Bob Bolles, R. C. Bolles, 2003 Now you can have the chassis and suspension technology that is winning races right now The information in this book is currently being used by top teams in Touring Late Models All Modified Divisions Stock Clip Late Models Mini Cars Road Racing Sedans and all other types of stock cars to setup their cars for asphalt and dirt track racing Stock Car Setup Secrets takes the guesswork out of chassis setup Chassis expert Bob Bolles offers detailed information on all aspects of racing chassis engineering Book jacket

**Frisbie Motorsports: Sportmod Chassis Setup & Race Support Guide** Christopher M. Frisbie, 2018-09-23 INTRODUCTION I have written this book for entry to expert level IMCA Sportmod racer Most of the initial information provided is just a guide and derived from talking with chassis builders successful racers conducting years of research attending various chassis schools and our own trial and error at the track Not all racers will agree with everything in this guide but we believe in it and reading and applying the information will help you to maximize your racing results This book will teach you how setup changes on an IMCA Sportmod will affect the cars handling on the track There is no one change that will make every car fast but understanding how each change affects a cars handling is the first step in getting faster and making it to victory lane The key to being successful on the race track is getting your setup as close as possible in the shop adjusting your cars handling to the current track conditions and then adjusting your driving style to maximize traction through all areas of the race track The driver job is to maximize the limited traction a dirt car has on the dynamic changing race track conditions

*Insiders' Guide® to Hampton Roads* Anthony Germanotta, 2011-01-11 A first edition Insiders Guide to Hampton Roads is the essential source for in depth travel and relocation information to this storied Virginia metropolitan area Written by a local and true insider this guide offers a personal and practical perspective of Hampton Roads and its surrounding environs

**On Track to Perfection** Barrett Williams, ChatGPT, 2025-03-12 On Track to Perfection Your Ultimate Guide to Model Train Mastery Unlock the secrets of model train perfection with this comprehensive eBook On Track to Perfection Whether you're a seasoned model train enthusiast or just starting your journey this guide is your passport to creating and maintaining an exceptional railway collection Discover the Anatomy of Model Trains Dive into the intricate components of locomotives rolling stock and track structures Gain a deep understanding of the mechanics behind your miniature railway world Equip Yourself with Essential Tools Learn about the must have tools for all train enthusiasts and discover specialized equipment for

advanced tuning Set up your maintenance workshop and prepare to take your model train craftsmanship to new heights Master Routine and Advanced Maintenance From cleaning and lubrication to motor service and electrical overhauls this guide offers detailed step by step instructions to keep your trains running smoothly Explore advanced care tips to ensure peak performance Troubleshoot with Confidence Tackle common issues like power problems track derailments and wiring challenges with ease Our troubleshooting sections provide clear solutions to keep your trains on track Enhance and Upgrade Your Collection Delve into advanced topics such as locomotive performance upgrades and rolling stock enhancements Improve traction speed control and customize appearances for a personalized touch Explore Landscaping and Scenery Elevate your railway s aesthetics with realistic landscapes scenic maintenance tips and innovative backdrop ideas Create a captivating environment that brings your model world to life Integrate Digital Controls and Automation Step into the future with insights on digital command control systems smart tech integration and automation techniques Make your setup efficient and cutting edge Join a Vibrant Community Discover local clubs online resources and model train exhibitions to connect with fellow enthusiasts share knowledge and collaborate on exciting projects Future proof your collection with tips on expansion staying informed on innovations and preserving the legacy of your railway On Track to Perfection is the definitive guide to achieving excellence in model railroading providing the knowledge and tools you need to elevate your passion to the next level

**Toyota MR2 Performance HP1553** Terrell Heick,2009-11-03 A complete owner s guide for owners and enthusiasts of Toyota s MR2 one of the most successful mid engine sports cars ever built Includes History sales and model year details OEM Maintenance and Repairs Chassis Brake Engine Bolt On Modifications Racing Your MR2 Safety and staged combinations to build MR2s for any high performance use from mild street to autocrossing and road racing

High Performance Fasteners and Plumbing Mike Mavrigian,2008-01-02 The essential reference guide for choosing the right fastener and plumbing for any automotive high performance custom or racing application This user friendly guide explains high performance fasteners plumbing and all the other hardware used by racers rodders restorers and all other auto enthusiasts Subjects include hose sizes fittings materials routing and installation tips heat shielding brake fuel coolant and oil lines as well as fastener technology such as thread sizing clamping loads bolt stretch and fastener styles *Welder's*

*Handbook* Richard Finch,2007-02-21 A newly updated state of the art guide to MIG and TIG arc welding technology Written by a noted authority in the field this revised edition of HP s bestselling automotive book for over 20 years is a detailed instructional manual on the theory technique equipment and proper procedures of metal inert gas MIG and tungsten inert gas TIG welding **Cycle World Magazine** ,2000-01 *The Mopar Six-Pack Engine Handbook HP1528* Larry

Shepard,2008-06-03 A step by step guide to rebuilding restoring and modifying the famous Mopar Six Pack engines that appeared in all of Chrysler s muscle cars from 1969 through 1971 as well as the late model small blocks and crate

performance motors currently offered by Chrysler **Cycle World** ,2000-07 **Quaker State's Auto Racing U. S. A.** Dan

Owen, Liz Barrett, 1998 No sport in the 90s has seen its fan base grow faster than auto racing Now these fans have a book to fuel their passion for the sport Quaker State s Auto Racing USA is the most complete authoritative and informative auto racing guide published to date Unlike any other racing book this reference guide offers an in depth look at the fifteen top North American racing series from NASCAR to Indycars to drag racing This user friendly reference provides everything fans need to know about America s leading auto racing tracks The track spreads offer a close up look at what makes each track unique and include in depth track diagrams easy to follow area maps track lore and travel information Here are just some of the other features of Quaker State s Auto Racing USA that make it a racing guide like no other More than eighty of racing s top venues are profiled A full four page spread dedicated to each major track including a 3 D track diagram Vibrant four color printing and action photos throughout Tips on the best places to view a race and how to avoid traffic jams Popular hotels restaurants and other sites where the racing crowd hangs out Plus other popular attractions in the area of each track including amusement parks beaches and museums Quaker State s Auto Racing USA is a comprehensive guide that is indispensable for long term and fledgling auto racing fans alike

*Guide to the Ford Film Collection in the National Archives* Mayfield Bray, 1970

*Books In Print 2004-2005* Ed Bowker Staff, Staff Bowker, Ed, 2004

**The Rough Guide**, 2008

*The Rough Guide to Guatemala: Travel Guide eBook* Rough Guides, 2024-12-16 This Guatemala guidebook is perfect for independent travellers planning a longer trip It features all of the must see sights and a wide range of off the beaten track places It also provides detailed practical information on preparing for a trip and what to do on the ground This Guatemala guidebook covers Guatemala City Antigua and around The western highlands The Pacific coast The Oriente and Izabal Cob n and the Verapaces Pet n and Into Honduras Cop n and around Inside this Guatemala travel book you ll find A wide range of sights Rough Guides experts have hand picked places for travellers with different needs and desires off the beaten track adventures family activities or chilled out breaks Itinerary examples created for different time frames or types of trip Practical information how to get to Guatemala all about public transport food and drink shopping travelling with children sports and outdoor activities tips for travellers with disabilities and more Author picks and things not to miss in Guatemala Lago De Atitl n Maya textiles Centro Hist rico R o Dulce Quetzal Volc n De Pacaya chicken buses highland hiking Semana Santa studying spanish the Ixil Region Antigua Tikal Ron Zacapa Centenario rainforest wildlife L vingston Semuc Champey Mirador Basin Chichicastenango Yaxh Maxim n Monterrico Todos Santos Cuchumat n Cop n Ruins coffee Insider recommendations tips on how to beat the crowds save time and money and find the best local spots When to go to Guatemala high season low season climate information and festivals Where to go a clear introduction to Guatemala with key places and a handy overview Extensive coverage of regions places and experiences regional highlights sights and places for different types of travellers with experiences matching different needs Places to eat drink and stay hand picked restaurants cafes bars and hotels Practical info at each site hours of operation websites transit tips charges Colour coded mapping with keys and

legends listing sites categorised as highlights eating accommodation shopping drinking and nightlife Background information for connoisseurs history culture art architecture film books religion diversity Essential Spanish dictionary and glossary of local terms Fully updated post COVID 19 The guide provides a comprehensive and rich selection of places to see and things to do in Guatemala as well as great planning tools It s the perfect companion both ahead of your trip and on the ground

**Popular Mechanics** ,1975-05 Popular Mechanics inspires instructs and influences readers to help them master the modern world Whether it s practical DIY home improvement tips gadgets and digital technology information on the newest cars or the latest breakthroughs in science PM is the ultimate guide to our high tech lifestyle **Setup Any Race Car to**

**Win** Jon Roetman,2015-02-27

## Enjoying the Melody of Expression: An Mental Symphony within **Dirt Track Car Setup Guide**

In some sort of taken by monitors and the ceaseless chatter of fast communication, the melodic elegance and mental symphony produced by the prepared term usually fade in to the backdrop, eclipsed by the relentless sound and distractions that permeate our lives. However, nestled within the pages of **Dirt Track Car Setup Guide** a marvelous fictional value overflowing with organic thoughts, lies an immersive symphony waiting to be embraced. Constructed by a wonderful composer of language, that interesting masterpiece conducts viewers on a mental trip, well unraveling the concealed songs and profound influence resonating within each cautiously constructed phrase. Within the depths with this moving evaluation, we can explore the book is main harmonies, analyze its enthralling publishing design, and submit ourselves to the profound resonance that echoes in the depths of readers souls.

<https://www.portal.goodeyes.com/public/browse/default.aspx/e%20study%20guide%20for%20conceptual%20physical%20science%20explorations%20by%20paul%20g%20hewitt%20isbn%209780321567918.pdf>

### **Table of Contents Dirt Track Car Setup Guide**

1. Understanding the eBook Dirt Track Car Setup Guide
  - The Rise of Digital Reading Dirt Track Car Setup Guide
  - Advantages of eBooks Over Traditional Books
2. Identifying Dirt Track Car Setup Guide
  - Exploring Different Genres
  - Considering Fiction vs. Non-Fiction
  - Determining Your Reading Goals
3. Choosing the Right eBook Platform
  - Popular eBook Platforms
  - Features to Look for in an Dirt Track Car Setup Guide
  - User-Friendly Interface
4. Exploring eBook Recommendations from Dirt Track Car Setup Guide

- Personalized Recommendations
  - Dirt Track Car Setup Guide User Reviews and Ratings
  - Dirt Track Car Setup Guide and Bestseller Lists
5. Accessing Dirt Track Car Setup Guide Free and Paid eBooks
    - Dirt Track Car Setup Guide Public Domain eBooks
    - Dirt Track Car Setup Guide eBook Subscription Services
    - Dirt Track Car Setup Guide Budget-Friendly Options
  6. Navigating Dirt Track Car Setup Guide eBook Formats
    - ePub, PDF, MOBI, and More
    - Dirt Track Car Setup Guide Compatibility with Devices
    - Dirt Track Car Setup Guide Enhanced eBook Features
  7. Enhancing Your Reading Experience
    - Adjustable Fonts and Text Sizes of Dirt Track Car Setup Guide
    - Highlighting and Note-Taking Dirt Track Car Setup Guide
    - Interactive Elements Dirt Track Car Setup Guide
  8. Staying Engaged with Dirt Track Car Setup Guide
    - Joining Online Reading Communities
    - Participating in Virtual Book Clubs
    - Following Authors and Publishers Dirt Track Car Setup Guide
  9. Balancing eBooks and Physical Books Dirt Track Car Setup Guide
    - Benefits of a Digital Library
    - Creating a Diverse Reading Collection Dirt Track Car Setup Guide
  10. Overcoming Reading Challenges
    - Dealing with Digital Eye Strain
    - Minimizing Distractions
    - Managing Screen Time
  11. Cultivating a Reading Routine Dirt Track Car Setup Guide
    - Setting Reading Goals Dirt Track Car Setup Guide
    - Carving Out Dedicated Reading Time
  12. Sourcing Reliable Information of Dirt Track Car Setup Guide



- Fact-Checking eBook Content of Dirt Track Car Setup Guide
  - Distinguishing Credible Sources
13. Promoting Lifelong Learning
- Utilizing eBooks for Skill Development
  - Exploring Educational eBooks
14. Embracing eBook Trends
- Integration of Multimedia Elements
  - Interactive and Gamified eBooks

### **Dirt Track Car Setup Guide Introduction**

In this digital age, the convenience of accessing information at our fingertips has become a necessity. Whether its research papers, eBooks, or user manuals, PDF files have become the preferred format for sharing and reading documents. However, the cost associated with purchasing PDF files can sometimes be a barrier for many individuals and organizations. Thankfully, there are numerous websites and platforms that allow users to download free PDF files legally. In this article, we will explore some of the best platforms to download free PDFs. One of the most popular platforms to download free PDF files is Project Gutenberg. This online library offers over 60,000 free eBooks that are in the public domain. From classic literature to historical documents, Project Gutenberg provides a wide range of PDF files that can be downloaded and enjoyed on various devices. The website is user-friendly and allows users to search for specific titles or browse through different categories. Another reliable platform for downloading Dirt Track Car Setup Guide free PDF files is Open Library. With its vast collection of over 1 million eBooks, Open Library has something for every reader. The website offers a seamless experience by providing options to borrow or download PDF files. Users simply need to create a free account to access this treasure trove of knowledge. Open Library also allows users to contribute by uploading and sharing their own PDF files, making it a collaborative platform for book enthusiasts. For those interested in academic resources, there are websites dedicated to providing free PDFs of research papers and scientific articles. One such website is Academia.edu, which allows researchers and scholars to share their work with a global audience. Users can download PDF files of research papers, theses, and dissertations covering a wide range of subjects. Academia.edu also provides a platform for discussions and networking within the academic community. When it comes to downloading Dirt Track Car Setup Guide free PDF files of magazines, brochures, and catalogs, Issuu is a popular choice. This digital publishing platform hosts a vast collection of publications from around the world. Users can search for specific titles or explore various categories and genres. Issuu offers a seamless reading experience with its user-friendly interface and allows users to download PDF files for offline reading. Apart from dedicated

platforms, search engines also play a crucial role in finding free PDF files. Google, for instance, has an advanced search feature that allows users to filter results by file type. By specifying the file type as "PDF," users can find websites that offer free PDF downloads on a specific topic. While downloading Dirt Track Car Setup Guide free PDF files is convenient, its important to note that copyright laws must be respected. Always ensure that the PDF files you download are legally available for free. Many authors and publishers voluntarily provide free PDF versions of their work, but its essential to be cautious and verify the authenticity of the source before downloading Dirt Track Car Setup Guide. In conclusion, the internet offers numerous platforms and websites that allow users to download free PDF files legally. Whether its classic literature, research papers, or magazines, there is something for everyone. The platforms mentioned in this article, such as Project Gutenberg, Open Library, Academia.edu, and Issuu, provide access to a vast collection of PDF files. However, users should always be cautious and verify the legality of the source before downloading Dirt Track Car Setup Guide any PDF files. With these platforms, the world of PDF downloads is just a click away.

### **FAQs About Dirt Track Car Setup Guide Books**

How do I know which eBook platform is the best for me? Finding the best eBook platform depends on your reading preferences and device compatibility. Research different platforms, read user reviews, and explore their features before making a choice. Are free eBooks of good quality? Yes, many reputable platforms offer high-quality free eBooks, including classics and public domain works. However, make sure to verify the source to ensure the eBook credibility. Can I read eBooks without an eReader? Absolutely! Most eBook platforms offer web-based readers or mobile apps that allow you to read eBooks on your computer, tablet, or smartphone. How do I avoid digital eye strain while reading eBooks? To prevent digital eye strain, take regular breaks, adjust the font size and background color, and ensure proper lighting while reading eBooks. What the advantage of interactive eBooks? Interactive eBooks incorporate multimedia elements, quizzes, and activities, enhancing the reader engagement and providing a more immersive learning experience. Dirt Track Car Setup Guide is one of the best book in our library for free trial. We provide copy of Dirt Track Car Setup Guide in digital format, so the resources that you find are reliable. There are also many Ebooks of related with Dirt Track Car Setup Guide. Where to download Dirt Track Car Setup Guide online for free? Are you looking for Dirt Track Car Setup Guide PDF? This is definitely going to save you time and cash in something you should think about.

**Find Dirt Track Car Setup Guide :**

[e study guide for conceptual physical science explorations by paul g hewitt isbn 9780321567918](#)

[dyna gro seeds 2015 south guide](#)

**early migrations arctic drift currents**

[e2020 algebra 3 quiz answer key](#)

[eagle pass the oak mountain trilogy](#)

**e46 bmw 320i service and repair manual**

**e2020 economics quiz answers**

[ea neaa 2015 manual](#)

[e527 thermostat manual](#)

[e39 bmw 530i v6 service manual](#)

**dyson animal user manual**

[dyna fxdl manual](#)

[e marketing judy strauss 7th edition](#)

**early earth history study guide answer key**

[e study guide for data mining using sas enterprise miner statistics statistics](#)

**Dirt Track Car Setup Guide :**

*das tagebuch der anne frank german edition book* - Feb 26 2023

web *das tagebuch der anne frank german edition treasures from the attic* jul 21 2021 the story of anne frank her family and the famous diaries told with the help of thousands of letters documents and photographs recently discovered in an attic anne frank wrote a

[anne frank stadtrat lehnt kita umbenennung einhellig ab](#) - Oct 25 2022

web 11 hours ago in dieser zeit schrieb anne frank ein tagebuch das zu den meistgelesenen werken der weltliteratur gehört 1945 starb anne frank im alter von 15 jahren im konzentrationslager bergen belsen

*das tagebuch der anne frank german edition amazon com* - Sep 04 2023

web aug 15 2016 *das tagebuch der anne frank german edition kindle edition german edition by anne frank author anna maria graf author translator format kindle edition 161 ratings see all formats and editions kindle 3 99 read with our free app hardcover 13 86 4 used from 13 86*

**tagebuch german edition kostenlos online lesen** - Feb 14 2022

web tagebuch german edition kostenlose bücher books online lesen von frank anne titel tagebuch german edition autoren anne frank vom netzwerk essen ob er mit dieser frage etwas beabsichtigt hat ich bin heute endlich dazu gekommen ihn zu fragen ob er mein gerede nicht lästig fände er sagte nur mir gefällt s gut

**das tagebuch der anne frank kindle ausgabe amazon de** - Oct 05 2023

web anne frank am 12 juni 1929 als kind jüdischer eltern in frankfurt am main geboren flüchtete 1933 mit ihren eltern nach amsterdam nachdem die deutsche wehrmacht 1940 die niederlande überfiel und besetzte 1942 außerdem verschärfte maßnahmen gegen die jüdische bevölkerung in kraft traten versteckte sich die familie frank in einem

*das tagebuch der anne frank anne frank haus* - Jun 20 2022

web das tagebuch von anne frank ist in unserem webshop in mehreren sprachen verfügbar the diary of anne frank english slipcase edition 35 00 anne frank the diary of a young girl englisch 27 o diário de anne frank portugiesisch 18 00 anne frank tagebuch deutsch 10 30

**tagebuch german edition kostenlos online lesen** - Aug 03 2023

web tagebuch german edition kostenlose bücher books online lesen von frank anne titel tagebuch german edition autoren anne frank vom netzwerk richtig arbeiten in ihrem zimmer spielt den ganzen tag ihre kleine schwester ein

das tagebuch der anne frank paperback amazon com - Mar 30 2023

web in amsterdam versteckten sich die franks in einem hinterhaus im august 1944 wurde die familie verraten anne frank wurde mit ihrer schwester und ihrer mutter zunächst nach birkenau später nach bergen belsen verbracht irgendwann anfang märz 1945 verstarb anne frank im kz ihr tagebuch anne frank führte es vom 12 juni 1942 bis zum 1

*anne frank tagebuch anne frank house* - Aug 23 2022

web home anne frank tagebuch german 10 30 add to cart this is the german edition of the diary other languages are available under diary anne frank keeps her diary from 12 june 1942 to 1 august 1944 in the over two years of her being in hiding she fills a number of notebooks in 1947 her father otto frank publishes the diaries

das tagebuch der anne frank by anne frank open library - Jun 01 2023

web jul 27 2021 das tagebuch der anne frank 12 juni 1942 1 august 1944 by anne frank 4 17 96 ratings 1187 want to read 95 currently reading 138 have read mit einem vorwort von albrecht goes publish date 1950 publisher fischer taschenbuch verlag language german pages 200 previews available in english spanish korean

**tagebuch german edition kostenlos online lesen** - Mar 18 2022

web tagebuch german edition kostenlose bücher books online lesen von frank anne titel tagebuch german edition autoren anne frank vom netzwerk tat es war nett aber die arbeit puh ihr müsst am samstagsmorgen alle

**das tagebuch der anne frank wikipedia** - Dec 27 2022

web das tagebuch der anne frank also known as anne frank s diary is a 2016 german drama film directed by german filmmaker hans steinbichler and written by fred breinersdorfer it stars lea van acken as the titular character martina gedeck ulrich noethen and stella kunkat

**anne frank das tagebuch german edition kindle edition** - Jan 28 2023

web anne frank das tagebuch german edition kindle edition german edition by anne frank author anna maria graf translator format kindle edition 4 5 255 ratings see all formats and editions kindle edition 1 99 read with our free app hardcover 5 50 4 used from 5 50

**das tagebuch der anne frank german edition** - Sep 23 2022

web times to door this on line revelation das tagebuch der anne frank german edition as without difficulty as evaluation them wherever you are now the beautiful days of my youth ana novac 1997 09 15 on scraps of paper hidden by friends and strangers until their dying moments young ana novac kept a diary in auschwitz a testimony that deserves

*tangerhütte kita will anne frank aus namen streichen* - Apr 18 2022

web 10 hours ago in dieser zeit schrieb anne frank ein tagebuch das zu den meistgelesenen werken der weltliteratur gehört 1945 starb anne frank im alter von 15 jahren im konzentrationslager bergen belsen

*tagebuch german edition kostenlose bücher books online* - Nov 25 2022

web titel tagebuch german edition autoren anne frank vom netzwerk zu diesem buch anne frank führte vom 12 juni 1942 bis 1 august 1944 tagebuch bis zum frühjahr 1944 schrieb sie ihre briefe nur für sich selbst

[tagebuch german edition kostenlose bücher books online](#) - Jul 22 2022

web tagebuch german edition kostenlose bücher books online lesen von frank anne titel tagebuch german edition autoren anne frank vom netzwerk kugler wollte sie einmachen aus den kirschenkisten machen wir bücherregale gerade werde ich gerufen deine anne 28 september 1942 nachtrag

**anne frank das tagebuch german edition kindle edition** - Apr 30 2023

web feb 2 2016 anne frank das tagebuch german edition kindle edition by frank anne graf anna maria download it once and read it on your kindle device pc phones or tablets use features like bookmarks note taking and highlighting while reading anne frank das tagebuch german edition

[tagebuch der anne frank wikipedia](#) - Jul 02 2023

web das tagebuch der anne frank ist ein werk der weltliteratur anne frank führte das tagebuch vom 12 juni 1942 bis zum 1 august 1944 anfänglich in der wohnung am merwedeplein den größten teil aber im hinterhaus des gebäudes prinsengracht 263 in amsterdam dort versteckte sie sich zwei jahre lang mit familienangehörigen und

**the diary of anne frank das tagebuch der anne frank film** - May 20 2022

web may 5 2016 this german language version of the story of anne frank is directed by hans steinbichler and stars young actress lea van acken alongside martina gedeck and ulrich noethen as her parents by

*wild rezepte betty bossi* - Nov 06 2022

web wild rezepte rehrücken das prachstück eines herbstlichen gästemenus der rehrücken dieses wildgericht ist speziell durch das selbst gemachte wild gewürzsalz die rehschnitzel sind rasch zubereitet und mit trauben und einer wildrahmsauce passend serviert hirsch entrecôte mit rahmrotkraut ein sonntagsessen aus dem bilderbuch und

unwiderstehlich wild die besten rezepte aus sudti copy - Mar 10 2023

web 2 unwiderstehlich wild die besten rezepte aus sudti 2020 08 09 unwiderstehlich wild die besten rezepte aus sudti 2020 08 09 powers ramos melissa forti s christmas baking book random house a stunningly beautiful love letter to vietnam with more than 100 recipes from best selling author and cooking channel host luke nguyen

unwiderstehlich wild die besten rezepte aus sudti pdf - Jan 28 2022

web 4 unwiderstehlich wild die besten rezepte aus sudti 2022 04 25 a merry little christmas hay house inc tel aviv is colourful cosmopolitan and modern a city full of contrasts fragrances stories and flavours it is a vibrant melting pot of cultures religions and delicious culinary traditions haya molcho and her four sons take us on a

**wildgerichte rezepte die besten ideen mit wild zu kochen** - Feb 09 2023

web unsere wildgerichte passen wunderbar in die immer kälter werdende jahreszeit wenn draußen die ersten herbststürme toben und morgens der feuchte nebel in den wäldern hängt hat das aromatische dunkelrote fleisch von reh hirsch wildschwein und einigen geflügelsorten wie fasan und rebhuhn endlich wieder saison

**unwiderstehlich wild die besten rezepte aus südtirol tirol** - Jul 14 2023

web nov 28 2019 die rezepte sind übersichtlich in die zutaten und einzelnen arbeitsschritte gegliedert die rund 50 wildrezepte verwenden entsprechend des buchtitels auch wildarten wie gams oder murmel bekanntermaßen kommen in der alpenregion aber auch rothirsch reh ente co vor so dass auch in der norddeutschen tiefebene beheimatete

unwiderstehlich wild die besten rezepte aus sudti download - Apr 30 2022

web unwiderstehlich wild die besten rezepte aus sudti 1 unwiderstehlich wild die besten rezepte aus sudti my vietnam stirring slowly french fries winter grilling supergrains medical medium life changing foods kinderland fire islands a merry little christmas tokyo stories kontaktgrill rezepte dutch oven lonely planet s best in travel

*unwiderstehlich wild die besten rezepte aus südtirol gustelier* - Aug 15 2023

web sep 10 2021 ein großartiges kochbuch egal ob für den eigengebrauch oder zum verschenken das buch unwiderstehlich wild die besten rezepte aus südtirol tirol bayern und dem aargau ist im athesia tappeiner verlag erschienen und für 25 00

euro im handel erhältlich

[unwiderstehlich wild die besten rezepte aus südtirol tirol](#) - Oct 05 2022

web jun 11 2023 unwiderstehlich wild die besten rezepte aus südtirol tirol bayern und dem aargau by südtiroler jagdverband tiroler jägerverband bayerischer jagdverband e v bjv aargauischer jagdschutzverein avj unwiderstehlich wild die **wild rezepte gutekueche ch** - Dec 07 2022

web wild rezepte beinhalten oft ganz bestimmte gewürze besonders oft trifft man auf wacholderbeeren rosmarin thymian und majoran aber auch viele andere sind vertreten zu wildgerichten werden gerne rotweinsaucen kredenzt als beilagen eignen sich spätzle rotkraut knödel ebenso gut wie verschiedene gemüsegerichte und preiselbeeren

[unwiderstehlich wild die besten rezepte aus sudti ftp bonide](#) - Sep 04 2022

web unwiderstehlich wild die besten rezepte aus sudti 3 3 rezeptbuch zusammengetragen eine vielfalt an kontaktgrill rezepten egal ob ahornsirup und senf mit gegrillten hähnchenschenkeln gegrillte kartoffelscheiben rippchen mit barbecue soße hamburger paprika käse pesto sandwich hähnchensteak dekus mit kürbis oder

**unwiderstehlich wild die besten rezepte aus südtirol tirol** - Jun 13 2023

web rehhacktäschli aus der schweiz gamslasagnette aus südtirol murmeltierbraten in rotweinmarinade aus nordtirol oder wildschweinkeule aus bayern sind nur beispiele der großartigen sorgfältig ausgewählten und abgestimmten gerichte mit frischen und unbedenklichen fleischwaren

**die besten wildrezepte und infos essen und trinken** - Jan 08 2023

web jul 25 2023 wild rezepte hase und kaninchen wild rezepte reh und hirsch wild rezepte geflügel wald wiese rezepte mit wildfleisch beilagen zum wild wild rezepte saucen herbst menü mit wildgulasch 29 11 2012 13 42 uhr silvestermenü raffiniertes mit wild rezepte wildbraten rezepte weihnachtsmenü mit wildfleisch

**unwiderstehlich wild die besten rezepte aus sudti full pdf** - Apr 11 2023

web 2 unwiderstehlich wild die besten rezepte aus sudti 2020 03 01 cuisine highlighting regional fruits and vegetables traditional cooking techniques and universally delectable flavours home cooks will discover sweet and savoury starters soups salads mains and desserts for all to enjoy accompanied by

[unwiderstehlich wild die besten rezepte aus sudti](#) - Jun 01 2022

web unwiderstehlich wild die besten rezepte aus sudti the ways of the wild west the best ballantyne westerns jan 27 2023 r m ballantyne is best known for his westerns as a young boy ballantyne spent few years on american continent learning the local customs trading for fur with native americans sleighing and canoeing across the

[unwiderstehlich wild die besten rezepte aus sudti](#) - Dec 27 2021

web 2 2 unwiderstehlich wild die besten rezepte aus sudti 2021 02 27 whether a kid friendly cookie party an elegant new

year s eve soirée or a cozy night in for two

[unwiderstehlich wild die besten rezepte aus sudti pdf](#) - Jul 02 2022

web unwiderstehlich wild die besten rezepte aus sudti pdf upload arnold u paterson 1 2 downloaded from voto uncal edu br on august 18 2023 by arnold u paterson unwiderstehlich wild die besten rezepte aus sudti pdf is available in our book collection an online access to it is set as public so you can get it instantly

[unwiderstehlich wild die besten rezepte aus sudti copy](#) - Mar 30 2022

web unwiderstehlich wild die besten rezepte aus sudti 3 3 appetit an und tut mit leckeren und nahrhaften gerichten auch der seele gut die rezepte der ernährungsexpertin rebecca katz sind wissenschaftlich fundiert und bieten dem körper des an krebs erkrankten genau das was er braucht mineralien und sekundäre pflanzenstoffe

*unwiderstehlich wild die besten rezepte aus südtirol tirol* - May 12 2023

web besten rezepte aus bayern gebundene ausgabe 1995 sudtirol rezepte chefkoch wild natur gt neues wild kochbuch jagd aargau unwiderstehlich wild die besten rezepte aus südtirol cæth unwiderstehlich wild morawa at weihnachtsdesserts rezepte amp ideen essen und trinken unwiderstehlich wild portofrei bei bücher de bestellen

**unwiderstehlich wild die besten rezepte aus sudti uniport edu** - Feb 26 2022

web feb 23 2023 unwiderstehlich wild die besten rezepte aus sudti 2 13 downloaded from uniport edu ng on february 23 2023 by guest culinary traditions hail from the regional cuisines of the south acclaimed author and food journalist katie parla takes you on a tour through these vibrant destinations so you can sink your teeth into the secrets of their

*unwiderstehlich wild die besten rezepte aus sudti pdf* - Aug 03 2022

web unwiderstehlich wild die besten rezepte aus sudti downloaded from japanalert bananacoding com by guest randolph asia very merry cocktails harpercollins uk for years the dutch oven has been popular on the grill and barbecue scene and cooking with the black pots over an open fire has become a fashionable

**l histoire de l art pour les nuls biblio sciences** - Aug 26 2022

web l exploration analytique du caractere et de la structure de la forme lonard fut le premier des grands hommes dsirer crer dans un tableau une sorte d unit mystique issue de la fusion

*l histoire de l art pour les nuls poche decitre* - Apr 02 2023

web c est ce que vous proposent les nuls avec ce tour d horizon de l histoire de l art en 200 notions clés illustrées aussi variées que le surréalisme l architecture classique l art

*l histoire de l art vite et bien pour les nuls* - Jul 25 2022

web l histoire de l art vite et bien pour les nuls l histoire du monde pour les nuls apr 24 2021 il était une fois l humanité ce livre vous invite à revivre la grande saga de



*l histoire de l art vite et bien pour les nuls pour les nuls* - Oct 08 2023

web sep 5 2019 de la grotte de lascaux à la chapelle sixtine en passant par le temple d'angkor le penseur de rodin l urinoir de duchamp et bien d autres encore cet

**l histoire de l art vite et bien pour les nuls copy uniport edu** - Mar 21 2022

web mis à jour 4 mai 2022 cet article vous présente une sélection de 5 des meilleurs livres sur l histoire de l art 1 histoire de l art ernst hans gombrich disponible sur amazon

**5 passionnants cours d histoire de l art à suivre en ligne** - Dec 30 2022

web aug 23 2006 15 août 2011 cet ouvrage offre une présentation originale de tous les grands mouvements artistiques de la préhistoire à nos jours présentés dans l ordre

**l histoire de l art pour les nuls jean jacques breton lisez** - May 03 2023

web sep 5 2019 l histoire de l art pour les nuls de dominique williatte collection pour les nuls vite et bien livraison gratuite à 0 01 dès 35 d achat librairie decitre votre

**l histoire de l art vite et bien pour les nuls 2023** - Jun 04 2023

web presque 350 pages pour traiter de l histoire de l art et avec une iconographie un peu réduite mais qui a été corrigée dans la version illustrée l intérêt est que cette histoire

**l histoire de l art vite et bien pour les nuls broché amazon fr** - Aug 06 2023

web l histoire de l art pour les nuls broché 23 août 2006 de jean jacques breton auteur philippe cachau auteur 1 plus 4 3 100 évaluations afficher tous les formats et

**histoire de l art guide complet pour les étudiants studysmarter** - Oct 28 2022

web aux pays bas 1868histoire de l art chez les ancienspraxitèle essai sur l histoire de l art et du génie grecs depuis l époque de périclès jusqu à celle d alexandre etchistoire de

**histoire de l art vite et bien pour les nuls** - Jan 31 2023

web 1 quand la bd fait mooc pas le temps de buller ce mooc de la fondation orange en partenariat avec la cité de la bande dessinée d angoulême retrace l histoire du 9 e art

**l histoire de l art pour les nuls jean jacques breton babelio** - Nov 28 2022

web l étude de l histoire de l art est plus qu une simple exploration de l art à travers les âges c est une occasion d aiguiser son esprit critique d apprécier la diversité des

**les 5 meilleurs livres sur l histoire de l art** - Feb 17 2022

web download and install the l histoire de l art vite et bien pour les nuls it is unquestionably easy then back currently we extend the partner to buy and create

**l histoire de l art vite et bien pour les nuls download only** - Sep 26 2022

web aug 23 2006 l art pensez vous c est un peu comme le polo ou les échecs pour s y intéresser il faut être très riche ou très intelligent eh bien rien n est moins vrai faisant

**l histoire de l art vite et bien pour les nuls 2023** - Jun 23 2022

web 2 l histoire de l art vite et bien pour les nuls 2021 12 08 formations art le discours sur l art l histoire de l art encyclopædia universalis may 11 2023 l inscription sur

**l histoire de l art vite et bien pour les nuls** - Apr 21 2022

web sep 29 2023 l histoire de l art vite et bien pour les nuls 1 5 downloaded from uniport edu ng on september 29 2023 by guest l histoire de l art vite et bien pour

***l histoire de l art vite et bien pour les nuls goodreads*** - Sep 07 2023

web l histoire de l art vite et bien pour les nuls breton jean jacques cachau philippe williatte dominique amazon fr livres

**l histoire de l art vite et bien pour les nuls copy** - Dec 18 2021

web nuls vite et bien christian godin 2017 11 02 toute la philosophie en 200 notions clés illustrées à assimiler vite et bien la collection pour les nuls décline l un de ses

**l histoire de l art vite et bien pour les nuls béatrice joyeux** - Nov 16 2021**l histoire de l art vite et bien pour les nuls livres numériques** - Mar 01 2023

web l histoire de l art en 200 notions clés illustrées que diriez vous de découvrir dans un seul et même livre que l éruption du vésuve à pompéi a permis de conserver de précieuses

**l histoire de l art vite et bien pour les nuls copy wrbb neu** - May 23 2022

web l histoire de l art vite et bien pour les nuls l histoire de l art vite et bien pour les nuls 2 downloaded from donate pfi org on 2023 07 21 by guest magicien dans tout son

**l histoire de l art vite et bien pour les nuls béatrice joyeux** - Jan 19 2022

web l histoire de l art vite et bien pour les nuls l histoire de l art vite et bien pour les nuls 2 downloaded from donate pfi org on 2020 06 14 by guest africain celui ci n a

**amazon fr l histoire de l art pour les nuls breton jean** - Jul 05 2023

web oct 17 2023 d une histoire de la mystique plutôt que d une histoire de l art la littérature française pour les nuls vite et bien jean joseph julaud 2018 09 13 la littérature