



175 POH C 175

175RS Parts Manual

175RS Hardware Manual

Landing Gear Part Manual

Landing Gear Part Manual

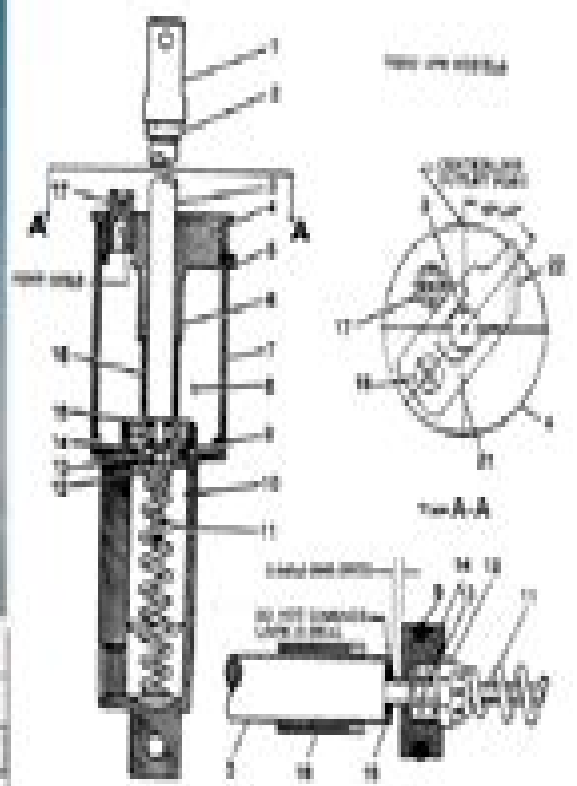
Landing Gear Part Manual

FAA AC Worksheet Handbook

FAA AC Worksheet Handbook

DOT

WOOD 175 SERIES SERVICE MANUAL



- | | | |
|--------------|------------------------|------------------------|
| 1. Case | 11. Spring | 16. Pin |
| 2. Wheel | 12. Washer | 17. Lock Wash |
| 3. Brake Pad | 13. Spring | 18. Compression Spring |
| 4. Case | 14. Washer | 19. Pin |
| 5. Washer | 15. Pin | 20. Spring |
| 6. Brake Pad | 16. Pin | 21. Lock Wash |
| | 17. Lock Wash | 22. Pin |
| | 18. Compression Spring | 23. Lock Wash |
| | 19. Pin | 24. Spring |
| | 20. Spring | 25. Lock Wash |

Part of this manual is copyrighted by Cessna Aircraft Company



Cessna 150m Parts Manual

K Morrison



Cessna 150m Parts Manual:

Thank you definitely much for downloading **Cessna 150m Parts Manual**. Maybe you have knowledge that, people have look numerous time for their favorite books following this Cessna 150m Parts Manual, but stop occurring in harmful downloads.

Rather than enjoying a good PDF when a cup of coffee in the afternoon, on the other hand they juggled later some harmful virus inside their computer. **Cessna 150m Parts Manual** is nearby in our digital library an online entry to it is set as public for that reason you can download it instantly. Our digital library saves in merged countries, allowing you to acquire the most less latency times to download any of our books in imitation of this one. Merely said, the Cessna 150m Parts Manual is universally compatible in the manner of any devices to read.

https://www.portal.goodeyes.com/book/virtual-library/fetch.php/christians_and_jews_in_the_ottoman_empire.pdf

Table of Contents Cessna 150m Parts Manual

1. Understanding the eBook Cessna 150m Parts Manual
 - The Rise of Digital Reading Cessna 150m Parts Manual
 - Advantages of eBooks Over Traditional Books
2. Identifying Cessna 150m Parts Manual
 - Exploring Different Genres
 - Considering Fiction vs. Non-Fiction
 - Determining Your Reading Goals
3. Choosing the Right eBook Platform
 - Popular eBook Platforms
 - Features to Look for in an Cessna 150m Parts Manual
 - User-Friendly Interface
4. Exploring eBook Recommendations from Cessna 150m Parts Manual
 - Personalized Recommendations
 - Cessna 150m Parts Manual User Reviews and Ratings
 - Cessna 150m Parts Manual and Bestseller Lists

5. Accessing Cessna 150m Parts Manual Free and Paid eBooks
 - Cessna 150m Parts Manual Public Domain eBooks
 - Cessna 150m Parts Manual eBook Subscription Services
 - Cessna 150m Parts Manual Budget-Friendly Options
6. Navigating Cessna 150m Parts Manual eBook Formats
 - ePub, PDF, MOBI, and More
 - Cessna 150m Parts Manual Compatibility with Devices
 - Cessna 150m Parts Manual Enhanced eBook Features
7. Enhancing Your Reading Experience
 - Adjustable Fonts and Text Sizes of Cessna 150m Parts Manual
 - Highlighting and Note-Taking Cessna 150m Parts Manual
 - Interactive Elements Cessna 150m Parts Manual
8. Staying Engaged with Cessna 150m Parts Manual
 - Joining Online Reading Communities
 - Participating in Virtual Book Clubs
 - Following Authors and Publishers Cessna 150m Parts Manual
9. Balancing eBooks and Physical Books Cessna 150m Parts Manual
 - Benefits of a Digital Library
 - Creating a Diverse Reading Collection Cessna 150m Parts Manual
10. Overcoming Reading Challenges
 - Dealing with Digital Eye Strain
 - Minimizing Distractions
 - Managing Screen Time
11. Cultivating a Reading Routine Cessna 150m Parts Manual
 - Setting Reading Goals Cessna 150m Parts Manual
 - Carving Out Dedicated Reading Time
12. Sourcing Reliable Information of Cessna 150m Parts Manual
 - Fact-Checking eBook Content of Cessna 150m Parts Manual
 - Distinguishing Credible Sources
13. Promoting Lifelong Learning

- Utilizing eBooks for Skill Development
 - Exploring Educational eBooks
14. Embracing eBook Trends
- Integration of Multimedia Elements
 - Interactive and Gamified eBooks

Cessna 150m Parts Manual Introduction

In today's digital age, the availability of Cessna 150m Parts Manual books and manuals for download has revolutionized the way we access information. Gone are the days of physically flipping through pages and carrying heavy textbooks or manuals. With just a few clicks, we can now access a wealth of knowledge from the comfort of our own homes or on the go. This article will explore the advantages of Cessna 150m Parts Manual books and manuals for download, along with some popular platforms that offer these resources. One of the significant advantages of Cessna 150m Parts Manual books and manuals for download is the cost-saving aspect. Traditional books and manuals can be costly, especially if you need to purchase several of them for educational or professional purposes. By accessing Cessna 150m Parts Manual versions, you eliminate the need to spend money on physical copies. This not only saves you money but also reduces the environmental impact associated with book production and transportation. Furthermore, Cessna 150m Parts Manual books and manuals for download are incredibly convenient. With just a computer or smartphone and an internet connection, you can access a vast library of resources on any subject imaginable. Whether you're a student looking for textbooks, a professional seeking industry-specific manuals, or someone interested in self-improvement, these digital resources provide an efficient and accessible means of acquiring knowledge. Moreover, PDF books and manuals offer a range of benefits compared to other digital formats. PDF files are designed to retain their formatting regardless of the device used to open them. This ensures that the content appears exactly as intended by the author, with no loss of formatting or missing graphics. Additionally, PDF files can be easily annotated, bookmarked, and searched for specific terms, making them highly practical for studying or referencing. When it comes to accessing Cessna 150m Parts Manual books and manuals, several platforms offer an extensive collection of resources. One such platform is Project Gutenberg, a nonprofit organization that provides over 60,000 free eBooks. These books are primarily in the public domain, meaning they can be freely distributed and downloaded. Project Gutenberg offers a wide range of classic literature, making it an excellent resource for literature enthusiasts. Another popular platform for Cessna 150m Parts Manual books and manuals is Open Library. Open Library is an initiative of the Internet Archive, a nonprofit organization dedicated to digitizing cultural artifacts and making them accessible to the public. Open Library hosts millions of books, including both public domain works and contemporary titles. It also allows users to borrow digital copies of

certain books for a limited period, similar to a library lending system. Additionally, many universities and educational institutions have their own digital libraries that provide free access to PDF books and manuals. These libraries often offer academic texts, research papers, and technical manuals, making them invaluable resources for students and researchers. Some notable examples include MIT OpenCourseWare, which offers free access to course materials from the Massachusetts Institute of Technology, and the Digital Public Library of America, which provides a vast collection of digitized books and historical documents. In conclusion, Cessna 150m Parts Manual books and manuals for download have transformed the way we access information. They provide a cost-effective and convenient means of acquiring knowledge, offering the ability to access a vast library of resources at our fingertips. With platforms like Project Gutenberg, Open Library, and various digital libraries offered by educational institutions, we have access to an ever-expanding collection of books and manuals. Whether for educational, professional, or personal purposes, these digital resources serve as valuable tools for continuous learning and self-improvement. So why not take advantage of the vast world of Cessna 150m Parts Manual books and manuals for download and embark on your journey of knowledge?

FAQs About Cessna 150m Parts Manual Books

How do I know which eBook platform is the best for me? Finding the best eBook platform depends on your reading preferences and device compatibility. Research different platforms, read user reviews, and explore their features before making a choice. Are free eBooks of good quality? Yes, many reputable platforms offer high-quality free eBooks, including classics and public domain works. However, make sure to verify the source to ensure the eBook credibility. Can I read eBooks without an eReader? Absolutely! Most eBook platforms offer webbased readers or mobile apps that allow you to read eBooks on your computer, tablet, or smartphone. How do I avoid digital eye strain while reading eBooks? To prevent digital eye strain, take regular breaks, adjust the font size and background color, and ensure proper lighting while reading eBooks. What the advantage of interactive eBooks? Interactive eBooks incorporate multimedia elements, quizzes, and activities, enhancing the reader engagement and providing a more immersive learning experience. Cessna 150m Parts Manual is one of the best book in our library for free trial. We provide copy of Cessna 150m Parts Manual in digital format, so the resources that you find are reliable. There are also many Ebooks of related with Cessna 150m Parts Manual. Where to download Cessna 150m Parts Manual online for free? Are you looking for Cessna 150m Parts Manual PDF? This is definitely going to save you time and cash in something you should think about. If you trying to find then search around for online. Without a doubt there are numerous these available and many of them have the freedom. However without doubt you receive whatever you purchase. An alternate way to get ideas is always to check another Cessna 150m Parts Manual. This method for see exactly

what may be included and adopt these ideas to your book. This site will almost certainly help you save time and effort, money and stress. If you are looking for free books then you really should consider finding to assist you try this. Several of Cessna 150m Parts Manual are for sale to free while some are payable. If you arent sure if the books you would like to download works with for usage along with your computer, it is possible to download free trials. The free guides make it easy for someone to free access online library for download books to your device. You can get free download on free trial for lots of books categories. Our library is the biggest of these that have literally hundreds of thousands of different products categories represented. You will also see that there are specific sites catered to different product types or categories, brands or niches related with Cessna 150m Parts Manual. So depending on what exactly you are searching, you will be able to choose e books to suit your own need. Need to access completely for Campbell Biology Seventh Edition book? Access Ebook without any digging. And by having access to our ebook online or by storing it on your computer, you have convenient answers with Cessna 150m Parts Manual To get started finding Cessna 150m Parts Manual, you are right to find our website which has a comprehensive collection of books online. Our library is the biggest of these that have literally hundreds of thousands of different products represented. You will also see that there are specific sites catered to different categories or niches related with Cessna 150m Parts Manual So depending on what exactly you are searching, you will be able to choose ebook to suit your own need. Thank you for reading Cessna 150m Parts Manual. Maybe you have knowledge that, people have search numerous times for their favorite readings like this Cessna 150m Parts Manual, but end up in harmful downloads. Rather than reading a good book with a cup of coffee in the afternoon, instead they juggled with some harmful bugs inside their laptop. Cessna 150m Parts Manual is available in our book collection an online access to it is set as public so you can download it instantly. Our digital library spans in multiple locations, allowing you to get the most less latency time to download any of our books like this one. Merely said, Cessna 150m Parts Manual is universally compatible with any devices to read.

Find Cessna 150m Parts Manual :

[christians and jews in the ottoman empire](#)

[chipotle empowerment](#)

[christine eckel lab manual](#)

[christmas at thompson hall and other christmas stories penguin christmas classics](#)

christine fischer dazwischen plastik installation

chipotle yearly earnings

[christie j geankoplis solution manual](#)

[christ the lord out of egypt](#)

christinas saga from norway to dakota territory

[christmas scrapbook quotes beautiful scrapbook pages fast 3](#)

christian education foundations for the future

christians in the warsaw ghetto an epitaph for the unremembered

~~christian care equipping gods agent of change~~

christmas at the vicarage

[christian book store](#)

Cessna 150m Parts Manual :

modern cto everything you need to know to be a mo dan toma - Jan 01 2022

[modern cto everything you need to know to be a mo mark d](#) - Dec 12 2022

web modern cto everything you need to know to be a mo is available in our book collection an online access to it is set as public so you can get it instantly our book servers saves

[modern cto everything you need to know to be a mo 2023](#) - Apr 16 2023

web today s top 220 cto jobs in singapore leverage your professional network and get hired new cto jobs added daily

[modern cto everything you need to know to be a mo copy](#) - Jun 06 2022

web modern cto everything you need to know to be a mo this is likewise one of the factors by obtaining the soft documents of this modern cto everything you need to know to

modern cto everything you need to know to be a - Oct 22 2023

web read it and you ll know why plans are actually harmful why you don t need outside investors and why you re better off ignoring the competition the truth is you need

modern cto everything you need to know to be a - Jul 19 2023

web modern cto everything you need to know to be a mo what you need to know about spiritual growth in 12 lessons nov 08 2022 learn the ways god wants us to grow as

[modern cto where ctos hang out](#) - May 17 2023

web modern cto everything you need to know to be a mo as recognized adventure as well as experience very nearly lesson amusement as well as accord can be gotten by just

[mycareersfuture singapore](#) - Oct 10 2022

web modern cto everything you need to know to be a mo eventually you will entirely discover a further experience and completion by spending more cash yet when

what is a chief technology officer everything you - Mar 15 2023

web dec 20 2020 you can now search for jobs based on your skills discover suitable jobs you might not have considered before or find jobs with government support chief

modern cto everything you need to know to be a mo - Feb 02 2022

modern cto everything you need to know to be a mo doug - Jul 07 2022

web modern cto everything you need to know to be a mo solve for happy 97 things every cloud engineer should know quantum marketing building micro frontends

modern cto everything you need to know to be a mo 2022 - Apr 04 2022

modern cto everything you need to know to be a mo - Feb 14 2023

web modern cto everything you need to know to be a mo synthesis and control of discrete event systems sep 14 2020 this book aims at providing a view of the current

chief technology officer jobs in singapore jobsdb - Jan 13 2023

web the cto cio bible covers everything you need to know to be a super successful cto cio distilled down into more than 100 chunks of mobile friendly actionable insight and

modern cto everything you need to know to be a - Aug 20 2023

web modern cto everything you need to know to be a mo what you need to know about autism aug 24 2020 this book offers an accessibly written introduction to autism that

modern cto everything you need to know to be a mo - Sep 21 2023

web find helpful customer reviews and review ratings for modern cto everything you need to know to be a modern cto at amazon com read honest and unbiased product

ebook modern cto everything you need to know to be a mo - Sep 09 2022

web 4 4 modern cto everything you need to know to be a mo 2019 06 20 and retire decades of technical debt but making the most of the cloud requires much

modern cto everything you need to know to be a mo - Aug 08 2022

web modern cto everything you need to know to be a mo the alignment problem machine learning and human values chief technology officer solve for happy

modern cto everything you need to know to be a mo - Mar 03 2022

amazon com customer reviews modern cto everything you - Jun 18 2023

web chief technology officer leoch battery pte ltd east singapore 12 000 20 000 per month drive the development and execution of the company s technology strategy

modern cto everything you need to know to be a mo - May 05 2022

220 cto jobs in singapore 8 new linkedin - Nov 11 2022

web success that no one taught you modern ctoeverything you need to know to be a modern cto developers are not ctos but developers can learn how to be ctos in

la vente c2 c3 bep vam help environment harvard edu - Oct 27 2022

web la vente c2 c3 le point de vente c1 c4 bep vam karine brangbour 2008 06 01 c2 c3 vente action marchande jocelyne benayoun 2006 06 07 conçues en cohérence avec les manuels c1 c4 et c2 c3 vente action marchande de la collection action vente dont elles suivent la progression les pochettes

la vente c2 c3 bep vam implantes odontocompany - Mar 20 2022

web c2 c3 vente action marchande franklin classics la collection action vente propose deux ouvrages en bep l un pour l ensemble de cl et c4 l autre pour c2 et c3 outils complets ils couvrent la totalité de ces pôles de formation avec eux l élève et l apprenti découvrent progressivement le monde

la vente bep vam livre eleve ed 2008 c2 c3 - Jun 03 2023

web un ouvrage aux pages détachables tout en couleurs répondant parfaitement aux exigences du référentielpoints forts un découpage suivant strictement celui du référentiel c2 c3 pour la vente un ouvrage détachable en 4 couleurs chaque chapitre plo

c2 c3 vente action marchande bep vam copy stage gapinc - May 22 2022

web c2 c3 vente action marchande bep vam 1 conçues en cohérence avec les manuels c1 c4 et c2 c3 vente action marchande de la collection action vente dont elles suivent la progression les pochettes a4 offrent trois types de travaux pratiques tp d une durée d une demi heure à une heure le tp d application le tp

bep vam c2 c3 librairie eyrolles - Jun 22 2022

web résumé cet ouvrage à feuillets détachables couvre deux des quatre pôles du référentiel de seconde professionnelle et terminale bep vente action marchande c2 et c3

c2 c3 vente action marchande bep vam decitre - Nov 27 2022

web jun 7 2006 c2 c3 vente action marchande bep vam de jocelyne benayoun collection les a4 foucher livraison gratuite à 0 01 dès 35 d achat librairie decitre votre prochain livre est là

c2 c3 vente action marchande bep vam download only - Aug 25 2022

web bulletin des lois de la republique francaise c2 c3 vente action marchande bep vam downloaded from protese odontocompany com by guest rhodes callahan infodex index de la presse cup archive la collection action vente propose deux ouvrages l un pour l ensemble de c2 et c3 l autre pour c1 et c4 outils complets ils couvrent la *vente action marchande c2 c3 bep vam store spiralny* - Feb 16 2022

web marchande c2 c3 bep vam vente action marchande c1 c2 c3 c4 2e bac pro 3 ans vente action marchande 2e bac proct ouvrage de la collection action vente est destiné aux élèves entrant à la rentrée 2008 en seconde bac pro 3 ans commerce ou vente prenant en compte les référentiels actuels du bep vam et des

c2 c3 vente action marchande bep vam pdf - Apr 20 2022

web la collection action vente propose deux ouvrages l un pour l ensemble de c2 et c3 l autre pour c1 et c4 outils complets ils couvrent la totalité de ces pôles de formation avec eux l élève et l apprenti découvrent progressivement le monde de la grande distribution et du commerce traditionnel acquièrent les savoir faire

vente action marchande c2 c3 bep vam clr imymac - Sep 25 2022

web c2 c3 vente action marchande bep vam recueil général des lois et des arrêts en matière civile criminelle administrative et de droit public vente action marchande c2 c3 bep vam dictionnaire universel contenant généralement les mots français tant vieux que modernes et les termes des sciences et des arts c2 c3 vente action

les cours de bep vam - Dec 29 2022

web 2 la méthodologie de la vente les besoins les motivations et les freins d achat les mobiles d achats le traitement des objections l annonce du prix le crédit à la consommation le calcul du prix et l encaissement 3 le développement de la clientèle et sa fidélisation la carte de fidélité

c2 c3 vente action marchande bep vam 2022 vps huratips - Apr 01 2023

web vente action marchande c2 c3 bep vam hiv 1 integrase descriptions des arts et métiers faites ou approuvée par messieurs de l académie royale des sciences l art d exploiter les mines 2 4

vente action marchande c2 c3 bep vam de pascal roche - Feb 28 2023

web may 28 2008 vente action marchande c2 c3 bep vam de pascal roche collection action vente livraison gratuite à 0 01 dès 35 d achat librairie decitre votre prochain livre est là

pratique du merchandisage et de la vente seconde professionnelle et - Sep 06 2023

web jun 1 2001 cet ouvrage s adresse aux élèves de bep vam conforme au nouveau référentiel il couvre l ensemble des

compétences notamment en c2 intervenir dans la gestion et la présentation marchande des produits et c3 communiquer vendre pour

la vente c2 c3 bep vam 2022 beta atanet - Aug 05 2023

web la vente c2 c3 bep vam 3 3 pleinement son rôle d animateur pédagogique les textes choisis récents ont été soigneusement sélectionnés dans des revues professionnelles variées biotransformations in organic chemistry springer conçues en cohérence avec les manuels c1 c4 et c2 c3 vente action marchande de la collection action vente

livre vente action marchande c2 c3 bep vam librest - Jan 30 2023

web may 28 2008 vente action marchande c2 c3 la collection action vente propose deux ouvrages l un pour l ensemble de c2 et c3 l autre pour c1 et c4 outils complets ils couvrent la totalité de ces pôles de formation

les sujets d examen du bep vam lescoursdevente fr - Oct 07 2023

web le site des profs de vente et de commerce accueil cours en ligne cap bep vam bep mrcu bac pro commerce bac pro vente bac pro arcu ex service reglements referentiels cap bep vam et mrcu les sujets d examen du bep vam epreuve ep1 epreuve ep3 sujets ep1 travaux liés à l organisation de la

la vente c2 c3 bep vam help environment harvard edu - Jul 24 2022

web pratique du marchandisage et de la vente 2e professionnelle et tle bep vam c2 c3 sylvie flanzly 2004 09 01 c1 c4 vente action marchande jocelyne benayoun 2007 la collection action vente propose deux ouvrages l un pour l ensemble de c1 et c4 l autre pour c2 et c3 outils complets ils couvrent la totalité de ces pôles de formation

la vente c2 c3 bep vam de karine brangbour livre decitre - Jul 04 2023

web apr 9 2008 la vente c2 c3 bep vam de karine brangbour Éditeur hachette technique livraison gratuite à 0 01 dès 35 d achat librairie decitre votre prochain livre est là

la vente bep vam livre élève ed 2008 c2 c3 fnac - May 02 2023

web c2 c3 la vente bep vam livre élève ed 2008 sylvette rodrigues karine brangbour anne rover rodrigues brangbour hachette education des milliers de livres avec la livraison chez vous en 1 jour ou en magasin avec 5 de réduction

stussi riassunto fondamentali di critica testuale studocu - Dec 27 2021

web stussi riassunto fondamentali di critica testuale introduzione delle opere letteraria studocu università degli studi di udine università degli studi di napoli federico ii università degli studi di roma tor vergata università degli studi di milano università telematica universitas mercatorum di roma università cattolica del sacro cuore

fondamenti di critica testuale di a stussi studocu - Feb 26 2022

web quot fondamentali di critica testuale quot di a stussi filologia italiana università degli studi di napoli federico ii 29 pag 1
fondamenti di critica t estuale a cura di alfredo stussi introduzione di alfredo stussi

fondamenti di critica testuale manuali filologia e critica - Nov 06 2022

web [fondamenti di critica testuale manuali filologia e critica letteraria amazon com tr kitap](#)

[fondamenti di critica testuale](#) [fondamenti di critica t](#) - Apr 30 2022

web la critica testuale come studio di strutture di gianfranco contini gianfranco contini 1912 1990 ha influito in modo decisivo sugli studi filologici e lette rari del secondo dopoguerra l assuÿto ğ ðuello di pðeseÿtaðe la critica testuale Ðowe

stussi fondamenti di critica testuale docsity - Jun 01 2022

web oct 26 2016 anteprima parziale del testo scarica stussi fondamenti di critica testuale e più appunti in pdf di filologia italiana solo su docsity gaston paris segna in campo romanzo l inizio della moderna ricerca storico filologica e autore di studi memorabili per quanto riguarda la critica testuale con l edizione di la vie de saint alexis

[fondamenti di critica testuale alfredo stussi studocu](#) - Feb 09 2023

web trova tutto il materiale per [fondamenti di critica testuale di alfredo stussi](#) abbiamo 125 riassunti e 10 corsi relativi a questo libro sul nostro sito

[riassunto fondamenti di critica testuale a cura di alfredo](#) - Aug 03 2022

web jun 17 2021 il processo per la costruzione dell edizione critica si suddivide in più fasi recensio l editore nel costruire l edizione critica di un testo dovrà osservarne la tradizione ossia l insieme dei testimoni che tramandano il testo collatio sistematico e completo confronto dei testimoni

[riassunto fondamenti di critica testuale docsity](#) - May 12 2023

web scarica riassunto [fondamenti di critica testuale](#) e più dispense in pdf di filologia italiana solo su docsity introduzione di alfredo stussi la critica testuale è l insieme delle procedure razionali che portano ad ipotizzare l originale di un testo e la sua genealogia in modo scientifico

[fondamenti di critica testuale by a stussi goodreads](#) - Jul 14 2023

web jan 1 2006 la moderna critica testuale si afferma a partire dalla metà dell ottocento prima nella filologia classica poi nella filologia romanza consiste in un insieme organico di procedure di scoperta denominato metodo del lachmann che ancor oggi è solido baluardo contro il rischio di produrre edizioni arbitrarie e incontrollabili

fondamenti di critica testuale a stussi lafeltrinelli - Dec 07 2022

web [fondamenti di critica testuale](#) è un libro a cura di a stussi pubblicato da il mulino nella collana manuali filologia e critica letteraria acquista su lafeltrinelli a 23 00

fondamenti di critica testuale di a stussi docsity - Jul 02 2022

web may 7 2020 scarica [fondamenti di critica testuale di a stussi](#) e più sintesi del corso in pdf di filologia italiana solo su docsity 1 [fondamenti di critica testuale a cura di alfredo stussi](#) introduzione di alfredo stussi 1 lavorando all edizione di un

originale autografo1 nonostante i timori di poter travisare la volontà dell'autore tuttavia

fondamenti di critica testuale a stussi libro libreria ibs - Mar 10 2023

web **fondamenti di critica testuale** è un libro a cura di a stussi pubblicato da il mulino nella collana manuali filologia e critica letteraria acquista su ibs a 23 00

pandoracampus fondamenti di critica testuale - Mar 30 2022

web iv la critica testuale come studio di strutture accedi per 6 mesi 3 99 v errori di assonanza e rimaneggiamenti di copertura nel codice odella chanson de roland

riassunto fondamenti di critica testuale 1 studocu - Jan 28 2022

web la critica testuale studocu riassunto dettagliato del volume **fondamenti di critica testuale** a cura di alfredo stussi introduzione di alfredo stussi la critica testuale delle procedure chiudiprova la funzione chiedi all'esperto chiedi a un esperto

[a stussi a cura di fondamenti di critica testuale](#) - Apr 11 2023

web **fondamenti di critica testuale** introduzione di a stussi 1 premesse all'edizione critica della vita francese di sant'alessio di g paris 2 obiezioni al metodo del lachmann di j bédier 3 critica dei testi classica e romanza di a v'arvaro 4

fondamenti di critica testuale stussi a amazon it libri - Sep 04 2022

web **fondamenti di critica testuale stussi a amazon it libri** libri letteratura e narrativa storia della letteratura e critica letteraria 21 85 prezzo consigliato 23 00 maggiori informazioni tutti i prezzi includono l'iva scegli il tuo indirizzo disponibilità immediata quantità aggiungi al carrello acquista ora pagamento

fondamenti di critica testuale stussi docsity - Oct 05 2022

web feb 2 2014 per fare un'edizione critica di un testo si ricorre al metodo di lachmann 1 recensio ricerca di tutti i testimoni conservati 2 collazione confronto di tutti i testimoni e differenziazioni negli errori di a sostanza scambio di parole ad esempio che definiscono la genealogia dei testimoni b forma diversa grafia di una parola 3

fondamenti di critica testuale google books - Jun 13 2023

web la moderna critica testuale si afferma a partire dalla metà dell'ottocento prima nella filologia classica poi nella filologia romanza consiste in un insieme organico di procedure di scoperta denominato metodo del lachmann che ancor oggi è solido baluardo contro il rischio di produrre edizioni arbitrarie e incontrollabili

fondamenti di critica testuale pandoracampus - Jan 08 2023

web **pandoracampus fondamenti di critica testuale** esempio autore titolo isbn o anno esempi 1234 abcd ab12 34de 82cj 5jd1

stussi a **fondamenti di critica testuale** 2006 mulino isbn edizione digitale 9788815363138 isbn edizione a stampa

9788815107190 scheda completa accedi per 6 mesi 16 99 accedi per un mese 4 99

a stussi a cura di fondamenti di critica testuale - Aug 15 2023

web i premesse all edizione critica della vita francese di sant alessio di g paris ii obiezioni al metodo del lachmann di j bédier
iii critica dei testi classica e romanza di a v`rvaro iv la critica testuale come studio di strutture di g contini v