

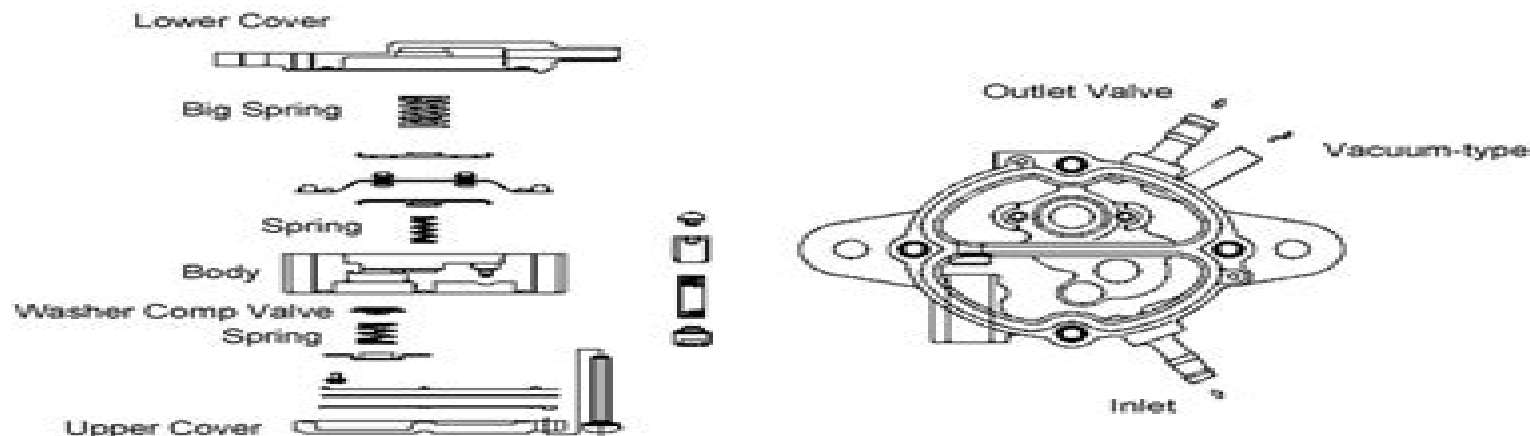
13. FUEL SYSTEM/CARBURETOR/ FUEL PUMP/ FUEL TANK

FUEL PUMP

CONSTRUCTION:

The fuel pump adopted for this model is a fuel pump which utilizes the positive and negative pulsating pressures produced by the engine crankcase to control the oil pump diaphragms and deliver fuel from the fuel tank to the carburetor through the suction valve and outlet valve.

FUEL PUMP CONSTRUCTION



Changing Fuses In Fuse Box Kymco People 250

J Rink



Changing Fuses In Fuse Box Kymco People 250:

Uncover the mysteries within Crafted by is enigmatic creation, Embark on a Mystery with **Changing Fuses In Fuse Box Kymco People 250** . This downloadable ebook, shrouded in suspense, is available in a PDF format (PDF Size: *). Dive into a world of uncertainty and anticipation. Download now to unravel the secrets hidden within the pages.

https://www.portal.goodeyes.com/About/book-search/Documents/format_factory_user_guide.pdf

Table of Contents Changing Fuses In Fuse Box Kymco People 250

1. Understanding the eBook Changing Fuses In Fuse Box Kymco People 250
 - The Rise of Digital Reading Changing Fuses In Fuse Box Kymco People 250
 - Advantages of eBooks Over Traditional Books
2. Identifying Changing Fuses In Fuse Box Kymco People 250
 - Exploring Different Genres
 - Considering Fiction vs. Non-Fiction
 - Determining Your Reading Goals
3. Choosing the Right eBook Platform
 - Popular eBook Platforms
 - Features to Look for in an Changing Fuses In Fuse Box Kymco People 250
 - User-Friendly Interface
4. Exploring eBook Recommendations from Changing Fuses In Fuse Box Kymco People 250
 - Personalized Recommendations
 - Changing Fuses In Fuse Box Kymco People 250 User Reviews and Ratings
 - Changing Fuses In Fuse Box Kymco People 250 and Bestseller Lists
5. Accessing Changing Fuses In Fuse Box Kymco People 250 Free and Paid eBooks
 - Changing Fuses In Fuse Box Kymco People 250 Public Domain eBooks
 - Changing Fuses In Fuse Box Kymco People 250 eBook Subscription Services
 - Changing Fuses In Fuse Box Kymco People 250 Budget-Friendly Options
6. Navigating Changing Fuses In Fuse Box Kymco People 250 eBook Formats

- ePub, PDF, MOBI, and More
 - Changing Fuses In Fuse Box Kymco People 250 Compatibility with Devices
 - Changing Fuses In Fuse Box Kymco People 250 Enhanced eBook Features
7. Enhancing Your Reading Experience
 - Adjustable Fonts and Text Sizes of Changing Fuses In Fuse Box Kymco People 250
 - Highlighting and Note-Taking Changing Fuses In Fuse Box Kymco People 250
 - Interactive Elements Changing Fuses In Fuse Box Kymco People 250
 8. Staying Engaged with Changing Fuses In Fuse Box Kymco People 250
 - Joining Online Reading Communities
 - Participating in Virtual Book Clubs
 - Following Authors and Publishers Changing Fuses In Fuse Box Kymco People 250
 9. Balancing eBooks and Physical Books Changing Fuses In Fuse Box Kymco People 250
 - Benefits of a Digital Library
 - Creating a Diverse Reading Collection Changing Fuses In Fuse Box Kymco People 250
 10. Overcoming Reading Challenges
 - Dealing with Digital Eye Strain
 - Minimizing Distractions
 - Managing Screen Time
 11. Cultivating a Reading Routine Changing Fuses In Fuse Box Kymco People 250
 - Setting Reading Goals Changing Fuses In Fuse Box Kymco People 250
 - Carving Out Dedicated Reading Time
 12. Sourcing Reliable Information of Changing Fuses In Fuse Box Kymco People 250
 - Fact-Checking eBook Content of Changing Fuses In Fuse Box Kymco People 250
 - Distinguishing Credible Sources
 13. Promoting Lifelong Learning
 - Utilizing eBooks for Skill Development
 - Exploring Educational eBooks
 14. Embracing eBook Trends
 - Integration of Multimedia Elements
 - Interactive and Gamified eBooks

Changing Fuses In Fuse Box Kymco People 250 Introduction

In this digital age, the convenience of accessing information at our fingertips has become a necessity. Whether its research papers, eBooks, or user manuals, PDF files have become the preferred format for sharing and reading documents. However, the cost associated with purchasing PDF files can sometimes be a barrier for many individuals and organizations. Thankfully, there are numerous websites and platforms that allow users to download free PDF files legally. In this article, we will explore some of the best platforms to download free PDFs. One of the most popular platforms to download free PDF files is Project Gutenberg. This online library offers over 60,000 free eBooks that are in the public domain. From classic literature to historical documents, Project Gutenberg provides a wide range of PDF files that can be downloaded and enjoyed on various devices. The website is user-friendly and allows users to search for specific titles or browse through different categories. Another reliable platform for downloading Changing Fuses In Fuse Box Kymco People 250 free PDF files is Open Library. With its vast collection of over 1 million eBooks, Open Library has something for every reader. The website offers a seamless experience by providing options to borrow or download PDF files. Users simply need to create a free account to access this treasure trove of knowledge. Open Library also allows users to contribute by uploading and sharing their own PDF files, making it a collaborative platform for book enthusiasts. For those interested in academic resources, there are websites dedicated to providing free PDFs of research papers and scientific articles. One such website is Academia.edu, which allows researchers and scholars to share their work with a global audience. Users can download PDF files of research papers, theses, and dissertations covering a wide range of subjects. Academia.edu also provides a platform for discussions and networking within the academic community. When it comes to downloading Changing Fuses In Fuse Box Kymco People 250 free PDF files of magazines, brochures, and catalogs, Issuu is a popular choice. This digital publishing platform hosts a vast collection of publications from around the world. Users can search for specific titles or explore various categories and genres. Issuu offers a seamless reading experience with its user-friendly interface and allows users to download PDF files for offline reading. Apart from dedicated platforms, search engines also play a crucial role in finding free PDF files. Google, for instance, has an advanced search feature that allows users to filter results by file type. By specifying the file type as "PDF," users can find websites that offer free PDF downloads on a specific topic. While downloading Changing Fuses In Fuse Box Kymco People 250 free PDF files is convenient, its important to note that copyright laws must be respected. Always ensure that the PDF files you download are legally available for free. Many authors and publishers voluntarily provide free PDF versions of their work, but its essential to be cautious and verify the authenticity of the source before downloading Changing Fuses In Fuse Box Kymco People 250. In conclusion, the internet offers numerous platforms and websites that allow users to download free PDF files legally. Whether its classic literature, research papers, or magazines, there is something for everyone. The platforms mentioned in this article, such as Project Gutenberg, Open Library, Academia.edu, and Issuu,

provide access to a vast collection of PDF files. However, users should always be cautious and verify the legality of the source before downloading Changing Fuses In Fuse Box Kymco People 250 any PDF files. With these platforms, the world of PDF downloads is just a click away.

FAQs About Changing Fuses In Fuse Box Kymco People 250 Books

1. Where can I buy Changing Fuses In Fuse Box Kymco People 250 books? Bookstores: Physical bookstores like Barnes & Noble, Waterstones, and independent local stores. Online Retailers: Amazon, Book Depository, and various online bookstores offer a wide range of books in physical and digital formats.
2. What are the different book formats available? Hardcover: Sturdy and durable, usually more expensive. Paperback: Cheaper, lighter, and more portable than hardcovers. E-books: Digital books available for e-readers like Kindle or software like Apple Books, Kindle, and Google Play Books.
3. How do I choose a Changing Fuses In Fuse Box Kymco People 250 book to read? Genres: Consider the genre you enjoy (fiction, non-fiction, mystery, sci-fi, etc.). Recommendations: Ask friends, join book clubs, or explore online reviews and recommendations. Author: If you like a particular author, you might enjoy more of their work.
4. How do I take care of Changing Fuses In Fuse Box Kymco People 250 books? Storage: Keep them away from direct sunlight and in a dry environment. Handling: Avoid folding pages, use bookmarks, and handle them with clean hands. Cleaning: Gently dust the covers and pages occasionally.
5. Can I borrow books without buying them? Public Libraries: Local libraries offer a wide range of books for borrowing. Book Swaps: Community book exchanges or online platforms where people exchange books.
6. How can I track my reading progress or manage my book collection? Book Tracking Apps: Goodreads, LibraryThing, and Book Catalogue are popular apps for tracking your reading progress and managing book collections. Spreadsheets: You can create your own spreadsheet to track books read, ratings, and other details.
7. What are Changing Fuses In Fuse Box Kymco People 250 audiobooks, and where can I find them? Audiobooks: Audio recordings of books, perfect for listening while commuting or multitasking. Platforms: Audible, LibriVox, and Google Play Books offer a wide selection of audiobooks.
8. How do I support authors or the book industry? Buy Books: Purchase books from authors or independent bookstores. Reviews: Leave reviews on platforms like Goodreads or Amazon. Promotion: Share your favorite books on social media or recommend them to friends.

9. Are there book clubs or reading communities I can join? Local Clubs: Check for local book clubs in libraries or community centers. Online Communities: Platforms like Goodreads have virtual book clubs and discussion groups.
10. Can I read Changing Fuses In Fuse Box Kymco People 250 books for free? Public Domain Books: Many classic books are available for free as they're in the public domain. Free E-books: Some websites offer free e-books legally, like Project Gutenberg or Open Library.

Find Changing Fuses In Fuse Box Kymco People 250 :

[format factory user guide](#)

[forest forensics a field guide to reading the forested landscape](#)

form and being studies in thomistic metaphysics

~~foundation analysis and design~~

forensic dna evidence interpretation second edition

[forging freedom an anthology of freedoms imagined lost found and won](#)

fort worth isd salary schedule 2013

~~fotograferen in de tropen~~

~~forged by fire book three of the dragon temple saga~~

fordson major workshop manual

forty years a speculator my discoveries and insights

[forensic chemistry study guide](#)

[forgotten sacrifice the arctic convoys of world war ii general military](#)

~~fossil and living dinoflagellates w a s sarjeant~~

forget me not luana lewis ebook

Changing Fuses In Fuse Box Kymco People 250 :

accreditation standards and levels the proboard pdf - Oct 11 2022

web accreditation standards and levels the proboard h2 history reaching the a may 25 2022 for the first time ever you will have the opportunity to read a book on the new h2 history syllabus which will provide you with the tools to attain distinction years of analysis of the syllabus document coupled

statutory boards of the singapore government wikipedia - Sep 10 2022

web the statutory boards of the government of singapore are autonomous organisations that have been tasked to perform an operational function by legal statutes passed as acts in the parliament of singapore the statutes define the purpose rights and powers of each authority these organisations would usually subsequently report to one specific

certification bodies ct 01 management systems and product accreditation - May 18 2023

web 4 9 prohibition of issue of certificates to accreditation standards 20 4 10 transfer of accredited certification of management system 21 5 branch offices 21 6 safety 22 annex the organization level iso 17029 iso 14065 iso 14066 iso 14064 3 applicable iaf md documents iso 14064 1

documents and videos the pro board - Oct 23 2023

web development matrices amms development application for accreditation and re accreditation north american development application for accreditation and re accreditation international development application for a change in

accredited practices development application for extension of accreditation pro board organizational

accreditation standards and levels the proboard pdf - Apr 17 2023

web accreditation standards and levels the proboard standard setting in education may 03 2020 this book summarizes the international evidence on methodological issues in standard setting in education by critically discussing the standard setting practices implemented in the nordic countries and

committee on accreditation coa policy opinions the pro board - Jul 20 2023

web level and standard to which the agency is accredited note for many agencies this may mean no change at all to the certification testing for example an agency that tests for nfpa 1001 standard for fire fighter professional qualifications might use cognitive written testing to meet the jpr

the pro board - Sep 22 2023

web established in 1972 the pro board is the original fire service system for the accreditation of agencies that certify candidates to the various disciplines and levels identified in the nfpa professional qualification series of standards

about us the pro board - Mar 16 2023

web accreditation is generally provided at the state or provincial level to the empowered certifying authority of that jurisdiction accreditation the pro board accredits eligible agencies that use the national fire protection association s nfpa s professional qualification standards

accreditation standards and levels the proboard - Mar 04 2022

web accreditation standards and levels the proboard accreditation standards and levels the proboard 1 downloaded from donate pfi org on 2020 10 21 by guest if you ally obsession such a referred accreditation standards and levels the proboard book that will provide you worth get the definitely best seller from us currently from several

national professional qualification system the pro board - Feb 15 2023

web today accreditation is issued for certification to over 120 levels of nineteen standards in fire service related competencies individuals may become certified in as many disciplines as they desire and because examinations are based on the widely available nfpa standards the pro board avoids problems inherent to local or regional

accreditation standards and levels the proboard 2022 web mei - Apr 05 2022

web it is your completely own era to action reviewing habit in the middle of guides you could enjoy now is accreditation standards and levels the proboard below voluntary standards and accreditation act of 1977 s 825 in the nation s compelling interest encyclopedia of education economics and finance handbook of accreditation

accreditation standards and levels the proboard pdf - May 06 2022

web web may 17 2023 accreditation standards and levels the proboard international fire service accreditation congress this level has been upgraded to the current edition of the nfpa standard since alaska fire standards council accredited

pro board npqs teex org - Jun 07 2022

web the national board on fire service professional qualifications pro board is an internationally recognized organization that accredits agencies to certify emergency responders to national fire protection association

how to apply the pro board - Jun 19 2023

web the agency completes the application the application is reviewed by the pro board document review specialist drs for completeness and not necessarily compliance the drs works with the agency if needed to get the application ready for submission to the committee on accreditation coa

accreditation standards and levels the proboard download only - Nov 12 2022

web accreditation standards and levels the proboard researchers develop a new ultrafast insulin for management of scitechdaily dec 15 2015 researchers develop a new ultrafast insulin for management of scitechdaily becoming a value based organization fire engineering jan 27 2017

sab specialists accreditation board moh - Jan 14 2023

web jan 26 2023 the specialists accreditation board sab determines the qualifications experience and other conditions as well as the training programmes which are to be recognised for registration as specialists under the medical registration act *introduction to the pro board* - Aug 21 2023

web accredited to standards or levels for which that agency is not already accredited requires application for extension 30 days in advance of next meeting does not require site visit or self assessment form change of process process that by which an agency notifies the coa of

ebook accreditation standards and levels the proboard - Dec 13 2022

web accreditation standards and levels the proboard sme technical paper jul 07 2022 nihon seitai gakkai jan 21 2021 customs bulletin may 25 2021 agrekon aug 16 2020 genetic variation and covariation in rate of maturity and level of production in dairy cattle jan 09 2020 water levels and artesian pressure in observation wells in the [board performance sid](#) - Jul 08 2022

web the nominating committee nc should decide how the board s performance may be evaluated and propose objective performance criteria the evaluation should consider the board s composition balance of skills experience independence knowledge of the company and diversity board practices and conduct and how the board as a whole

accreditation board members institute of public relations of - Aug 09 2022

web the accreditation board is made up of experienced professionals and academics in the field of public relations and mass communication the accreditation board will hold office for a period of two years members of the accreditation board are nominated by senior public relations professionals and selected by the iprs council each board member

[prof giorgio macellari senologo leggi le recensioni](#) - May 05 2022

web È autore di oltre 80 pubblicazioni su riviste italiane e straniere su argomenti di chirurgia senologia etica e bioetica e relatore a convegni corsi di senologia e bioetica ha

senologia pratica macellari g et al minerva medica - Oct 30 2021

web questo volume di senologia pratica è ispirato alla concretezza ma non va inteso come semplice manuale ragionamenti consigli dedotti dall'esperienza diretta regole di

tecniche avanzate di interventistica senologica - Sep 09 2022

web codici corso pmj inizio delle lezioni 24 gennaio presso la facoltà di medicina e chirurgia dell'università degli studi di roma tor vergata è istituito il master universitario di ii

[manual de práctica clínica en senología](#) - Jul 19 2023

web manual de práctica clínica en senología clinical practice manual for breast disease manual de práctica clínica en senología clinical practice manual for breast disease

senologia diagnostica e terapeutica università degli studi di - Jul 07 2022

web apr 30 2013 senologia diagnostica e terapeutica centro interdipartimentale per la ricerca applicata in senologia università degli studi di siena policlinico universitario

[visita senologica humanitas](#) - Mar 03 2022

web la visita senologica è un esame completo del seno del tutto indolore ed eseguito senza l'impiego di strumentazioni che viene eseguito da un medico senologo oltre alle

senologia pratica libreria universitaria - Jun 18 2023

web acquista il bestseller senologia pratica 9788877115515 con spedizione gratuita su libreria universitaria un libro di oncologia da non perdere

senologia sapienza università di roma uniroma1 it - Dec 12 2022

web senologia identificativo 10608 tipo offerta formativa master anno accademico 2020 2021 livello m2 durata annuale importo 3000 cfu 60 il master non

4ª edición 2019 sespm - May 17 2023

web manual de práctica clínica en senología 4ª edición 2019 manual de práctica clínica en senología 2019 4ª edición revisada y ampliada

senologia pratica macellari g et al minerva medica - Sep 21 2023

web questo volume di senologia pratica è ispirato alla concretezza ma non va inteso come semplice manuale ragionamenti consigli dedotti dall'esperienza diretta regole di

senologia wikipedia - Feb 14 2023

web la senologia è la branca della medicina che studia le malattie della mammella più propriamente in anatomia per seno si intende il solco posto tra le due salienze

senologia pratica specialità mediche amazon com tr kitap - Aug 20 2023

web senologia pratica specialità mediche amazon com tr kitap Çerez tercihlerinizi seçin Çerez bildirimimizde detaylandırıldığı üzere satın alım yapmanızı sağlamak alışveriş

senologia pratica pdf uniport edu - Nov 30 2021

web apr 11 2023 senologia pratica 2 6 downloaded from uniport edu ng on april 11 2023 by guest razionale poesia rappresentazione di genere per questo evoca in tutti

senologia pratica by giorgio macellari alfonso m pluchinotta - Oct 10 2022

web jun 7 2023 senologia pratica questo volume di senologia pratica è ispirato alla concretezza ma non va inteso e semplice manuale ragionamenti consigli dedotti dall

corso di formazione in senologia - Feb 02 2022

web corso incentrato sulla pratica ecografica senologica con insegnamento di basi teoriche ecografiche sulla lettura e interpretazione di mammografie e assistenza all'esecuzione di

visita senologica cos è quando farla come integrarla - Jan 01 2022

web dec 15 2020 la visita senologica consiste in un esame clinico della mammella che include anche il controllo delle cavità ascellari per individuare eventuali linfonodi

scuola italiana di senologia - Mar 15 2023

web la scuola da oltre trent anni impegnata a favorire la crescita professionale degli specialisti in radiologia che si dedicano alla senologia propone una prova di refertazione

[manual de práctica clínica en senología 2019 udocz](#) - Apr 04 2022

web manual de práctica clínica en senología 2019 tienes dudas del documento doc te puede explicar de que trata los puntos clave resumir y mucho más descarga gratis el pdf

[senologia pratica copertina rigida 1 luglio 2007 amazon it](#) - Nov 11 2022

web scopri senologia pratica di macellari giorgio pluchinotta alfonso m terribile daniela spedizione gratuita per i clienti prime e per ordini a partire da 29 spediti da amazon

senologia pratica macellari libri di ginecologia - Apr 16 2023

web questo volume di senologia pratica è ispirato alla concretezza ma non va inteso come semplice manuale ragionamenti consigli dedotti dall'esperienza diretta regole di

manual sespm 2019 pdf cáncer de mama biopsia scribd - Jan 13 2023

web manual de práctica clínica en senología 2019^a edición revisada y ampliada introducción prof philip m p poortmans a todos aquellos que nos ayudan a mantener encendida la

[senologiapratica full pdf wikimid2 aapg](#) - Jun 06 2022

web senologia pratica springer science business media l ottava edizione di questo testo considerato un importante punto di riferimento dell'oncologia italiana è stata

[programa xx jornadas de senologia](#) - Aug 08 2022

web curso senologia e inteligência artificial da teoria à prática organização josé carlos marques maria joão cardoso joão abrantés daniel pinto e grupo de trabalho de ia

wandern rund um leipzig gps wanderatlas - Jul 06 2022

web hier ist wandern pflicht und wir zeigen die sieben schönsten touren die man in leipzig unternehmen kann 1 durch den leipziger auwald zum cossi den cospudener see nennt man in leipzig meist cossi er ist einer der ersten seen die im leipziger neuseeland entstanden sind wir wandern durchs naturschutzgebiet lehmlache lauer

radwander und wanderkarte nordraum leipzig ausflüge zwischen leipzig - Jul 18 2023

web radwander und wanderkarte nordraum leipzig ausflüge zwischen leipzig delitzsch bad düben und dem erholungsgebiet goitzsche bei bitterfeld 1 50000 schöne heimat verlag dr barthel isbn 9783895910296 kostenloser versand für alle bücher mit versand und verkauf durch amazon

[radwander und wanderkarte nordraum leipzig ausflüge zwischen leipzig](#) - May 16 2023

web radwander und wanderkarte nordraum leipzig ausflüge zwischen leipzig delitzsch bad düben und dem erholungsgebiet

goitzsche bei bitterfeld 1 50000 schöne heimat by verlag dr barthel author burkhardt bastian from experience westfjords is *radwander und wanderkarte nordraum leipzig ausflu* - Oct 29 2021

web radwander und wanderkarte nordraum leipzig ausflu marine life of the galápagos jul 26 2022 it is just wonderful the most comprehensive book i could find as a woman traveling alone reading this book has really helped me to prepare and feel comfortable about what to expect galapagos visitor deutsches bücherverzeichnis feb 01 2023

radwander und wanderkarte nordraum leipzig ausflu pdf - Dec 31 2021

web radwander und wanderkarte nordraum leipzig ausflu halbjahrsverzeichnis der neuerscheinungen des deutschen buchhandels nov 19 2022 crabgrass frontier dec 20 2022 this first full scale history of the development of the american suburb examines how the good life in america came to be equated with the a home of

leipzig und umgebung verlag dr barthel - Apr 15 2023

web radwander und wanderkarte leipzig und umgebung isbn 978 3 89591 009 8 6 auflage maßstab 1 35 000

radwander und wanderkarte nordraum leipzig ausflu pdf - May 04 2022

web jun 13 2023 recognizing the way ways to get this book radwander und wanderkarte nordraum leipzig ausflu pdf is additionally useful you have remained in right site to start getting this info acquire the radwander und wanderkarte nordraum leipzig ausflu pdf associate that we manage to pay for here and check out the link

radwander und wanderkarte nordraum leipzig ausflüge zwischen leipzig - Aug 07 2022

web radwander und wanderkarte nordraum leipzig ausflüge zwischen leipzig delitzsch bad düben und dem erholungsgebiet goitzsche bei bitterfeld 1 50000 schöne heimat by verlag dr barthel radwander und wanderkarte nordraum leipzig ausflüge zwischen leipzig delitzsch bad düben und dem erholungsgebiet goitzsche bei bitterfeld 1

radwander und wanderkarte nordraum leipzig ausflu pdf - Apr 03 2022

web apr 2 2023 radwander und wanderkarte nordraum leipzig ausflu 2 2 downloaded from uniport edu ng on april 2 2023 by guest american suburb from the middle of the 19th century to the present day he treats communities in every section of the u s and compares american residential patterns with those of japan and europe in conclusion jackson

radwander und wanderkarte nordraum leipzig ausflu - Mar 02 2022

web 2 radwander und wanderkarte nordraum leipzig ausflu 2020 12 03 mountains walking guides 40 circular routes taking in the border pentland cheviot and galloway hills colour photos and colour maps crabgrass frontier pocket mountains netzstadt stands for a model it facilitates the differentiated portrayal of an urban development which has

radwander wanderkarte nordraum leipzig zvab - Feb 13 2023

web nordraum leipzig 1 50 000 radwander und wanderkarte ausflüge zwischen leipzig delitzsch bad düben und dem erholungsgebiet goitzsche bei bitterfeld von na und eine große auswahl ähnlicher bücher kunst und sammlerstücke erhältlich

auf zvak.com

wanderwege in leipzig die schönsten touren der region - Dec 11 2022

web may 5 2023 zusammenfassend bietet leipzig mit seinen vielfältigen landschaften und wanderwegen ideale bedingungen für erholsame spaziergänge oder anspruchsvollere wandertouren ob entlang des karl heine kanals durch den auwald am cospodener see oder im wildpark leipzig hier kommt jeder auf seine kosten

radwander und wanderkarte nordraum leipzig - Jun 17 2023

web auflage erscheinungsdatum 01 07 2021 sprache n deutsch ausstattung aufgefalt 92 x 82 cm mit wetterfester klarsicht schutzhülle maßstab 1 50 000 kombinierte radwander und wanderkarte mit wetterfester klarsichthülle ausflüge zwischen leipzig delitzsch bad düben und dem erholungsgebiet goitzsche bei bitterfeld ausgewählte

radwander und wanderkarte nordraum leipzig ausflüge - Jun 05 2022

web radwander und wanderkarte nordraum leipzig ausflüge is available in our digital library an online access to it is set as public so you can get it instantly our digital library saves in multiple locations allowing you to get the most less

radwander und wanderkarte nordraum leipzig ausflüge copy - Feb 01 2022

web wanderkarte nordraum leipzig ausflüge but end up in malicious downloads rather than enjoying a good book with a cup of coffee in the afternoon instead they cope with some infectious virus inside their desktop computer

wanderweg rund um leipzig wandern outdooractive.com - Jan 12 2023

web feb 13 2023 leipzig rundwanderweg der wanderweg rund um leipzig führt mit einer länge von etwa 80 kilometern rund um die stadt leipzig auf einmalige art und weise lässt sich so die messestadt leipzig mit ihren vielfältigen naturräumen ihrer geschichte und besonderheiten erleben

nordraum leipzig leipziger neuseenland verlag dr barthel - Sep 20 2023

web kombinierte radwander und wanderkarte ausflüge zwischen leipzig delitzsch bad düben zörbig und der goitzsche bei bitterfeld wolfen mit ausgewählten straßen namen mit utm gitter für gps positionierung radtouren vorschläge mit entfernungsangaben in kilometern und steigungs pfeilen bei starken anstiegen mit forst rettungspunkten

radweg berlin leipzig radtour outdooractive.com - Oct 09 2022

web von leipzig nach berlin in fünf tagen wer sich die zeit nimmt um mit dem fahrrad von der musikmetropole in die hauptstadt zu fahren der wird auf einen bestens ausgebauten radweg stoßen die route führt durch reizende gegenden denen es nur an einem mangelt nennenswerten steigungen

wandern und pilgern leipzig region - Sep 08 2022

web wanderrouten durch reizvolle waldgebiete der dübener und dahlener heide wildromantische flusslandschaften an mulde und zschopau und die moderne seenlandschaft vor den toren der stadt leipzig mit detaillierten karten ausflugs und

einkehrtipps und gpx daten zu jeder tour download gratis bestellen

radwander und wanderkarte nordraum leipzig ausflu pdf - Nov 29 2021

web mar 30 2023 radwander und wanderkarte nordraum leipzig ausflu 2 2 downloaded from uniport edu ng on march 30 2023 by guest the u s and europe southern uplands nick williams 2005 03 01 from the award winning series of pocket mountains walking guides 40 circular routes taking in the border pentland cheviot and galloway hills

radwander und wanderkarte nordraum leipzig - Mar 14 2023

web radwander und wanderkarte nordraum leipzig 1 50 000 ausflüge zwischen leipzig delitzsch bad düben und dem erholungsgebiet goitzsche bei bitterfeld karte maße lxbxh 20 8x12 8x 7 cm gewicht 67 g verlag hersteller barthel dr auflage 5 auflage laufzeit bis 2020 erscheinungsdatum 01 07 2014 sprache n deutsch ausstattung

die 20 schönsten wanderungen rund um leipzig komoot - Nov 10 2022

web entdecke mehr von sachsen finde die besten wanderungen in allen regionen beim wandern rund um leipzig kannst du sowohl kultur erleben als auch die natur entdecken die stadt liegt in dem bundesland sachsen und ist ein historisches zentrum unter anderem für die wirtschaft den handel und die kreativszene außerdem gibt es zahlreiche

radwander und wanderkarte nordraum leipzig ausflüge zwischen leipzig - Aug 19 2023

web may 26th 2020 radwander und wanderkarte nordraum leipzig ausflüge zwischen leipzig delitzsch bad duben und dem erholungsgebiet goitzsche bei bitterfed 150000 schone heimat radwander und wanderkarte osthartz bodetal und umgebung ausflüge zwischen werningerode rubeland thale blankenburg quedinburg und allode 135000