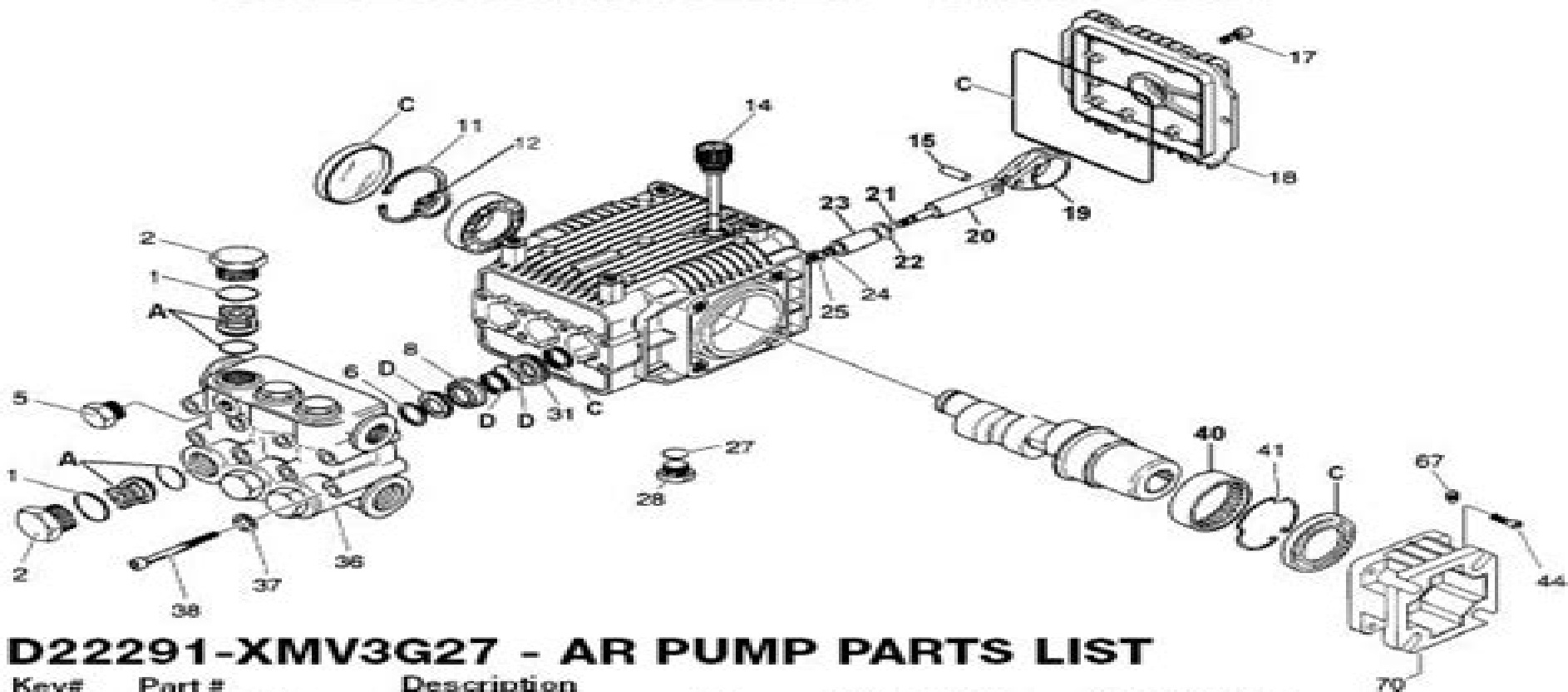


D22291-XMV3G27 - AR PUMP



D22291-XMV3G27 - AR PUMP PARTS LIST

Key#	Part #	Description			
1	AR-960160	O-ring	24	AR-1260100	Piston Washer
2	AR-1260162	Plug	25	AR-1260110	Nut
5	AR-620301	Plug	27	AR-740290	O-ring
6	AR-1780130	O-ring	28	AR-880530	Plug
8	AR-1780090	Piston Guide	31	AR-1780100	Rear Piston Guide
11	AR-1260790	Circlip	32	AR-770260	O-ring
12	AR-1780550	Shaft Retainer	33	AR-1260440	Gasket
14	AR-880130	Oil Cap	37	AR-1381550	Washer
15	AR-1780050	Piston Pin	38	AR-1322730	Screw
17	AR-1200430	Screw	40	AR-1321190	Bearing
18	AR-1789010	Complete Cover	41	AR-1321080	Snap Ring
19	AR-1780040	Connecting Rod Kit	44	AR-180030	Screw
20	AR-1780060	Piston Guide	62	AR-1780430	Bushing
21	AR-480480	O-Ring	67	AR-820440	Grub Screw
22	AR-1260091	Spacer Disc	70	AR-1780580	Engine Flange
23	AR-1780070	Piston			
A	AR-1864	Valve Kit	D	AR-2741	Water Seal Kit
B	AR2544	Plunger Kit		AR20888	Unloader
C	AR-2787	Oil Seal Kit			

Exhp2630 Manual

Jin-Ying Zhang



Exhp2630 Manual:

Immerse yourself in the artistry of words with Experience Art with its expressive creation, **Exhp2630 Manual** . This ebook, presented in a PDF format (PDF Size: *), is a masterpiece that goes beyond conventional storytelling. Indulge your senses in prose, poetry, and knowledge. Download now to let the beauty of literature and artistry envelop your mind in a unique and expressive way.

<https://www.portal.goodeyes.com/data/uploaded-files/index.jsp/Edith%20Hamilton%20Mythology%20Study%20Guide%20Answer%20Key.pdf>

Table of Contents Exhp2630 Manual

1. Understanding the eBook Exhp2630 Manual
 - The Rise of Digital Reading Exhp2630 Manual
 - Advantages of eBooks Over Traditional Books
2. Identifying Exhp2630 Manual
 - Exploring Different Genres
 - Considering Fiction vs. Non-Fiction
 - Determining Your Reading Goals
3. Choosing the Right eBook Platform
 - Popular eBook Platforms
 - Features to Look for in an Exhp2630 Manual
 - User-Friendly Interface
4. Exploring eBook Recommendations from Exhp2630 Manual
 - Personalized Recommendations
 - Exhp2630 Manual User Reviews and Ratings
 - Exhp2630 Manual and Bestseller Lists
5. Accessing Exhp2630 Manual Free and Paid eBooks
 - Exhp2630 Manual Public Domain eBooks
 - Exhp2630 Manual eBook Subscription Services

- Exhp2630 Manual Budget-Friendly Options
- 6. Navigating Exhp2630 Manual eBook Formats
 - ePub, PDF, MOBI, and More
 - Exhp2630 Manual Compatibility with Devices
 - Exhp2630 Manual Enhanced eBook Features
- 7. Enhancing Your Reading Experience
 - Adjustable Fonts and Text Sizes of Exhp2630 Manual
 - Highlighting and Note-Taking Exhp2630 Manual
 - Interactive Elements Exhp2630 Manual
- 8. Staying Engaged with Exhp2630 Manual
 - Joining Online Reading Communities
 - Participating in Virtual Book Clubs
 - Following Authors and Publishers Exhp2630 Manual
- 9. Balancing eBooks and Physical Books Exhp2630 Manual
 - Benefits of a Digital Library
 - Creating a Diverse Reading Collection Exhp2630 Manual
- 10. Overcoming Reading Challenges
 - Dealing with Digital Eye Strain
 - Minimizing Distractions
 - Managing Screen Time
- 11. Cultivating a Reading Routine Exhp2630 Manual
 - Setting Reading Goals Exhp2630 Manual
 - Carving Out Dedicated Reading Time
- 12. Sourcing Reliable Information of Exhp2630 Manual
 - Fact-Checking eBook Content of Exhp2630 Manual
 - Distinguishing Credible Sources
- 13. Promoting Lifelong Learning
 - Utilizing eBooks for Skill Development
 - Exploring Educational eBooks
- 14. Embracing eBook Trends

- Integration of Multimedia Elements
- Interactive and Gamified eBooks

Exhp2630 Manual Introduction

In the digital age, access to information has become easier than ever before. The ability to download Exhp2630 Manual has revolutionized the way we consume written content. Whether you are a student looking for course material, an avid reader searching for your next favorite book, or a professional seeking research papers, the option to download Exhp2630 Manual has opened up a world of possibilities. Downloading Exhp2630 Manual provides numerous advantages over physical copies of books and documents. Firstly, it is incredibly convenient. Gone are the days of carrying around heavy textbooks or bulky folders filled with papers. With the click of a button, you can gain immediate access to valuable resources on any device. This convenience allows for efficient studying, researching, and reading on the go. Moreover, the cost-effective nature of downloading Exhp2630 Manual has democratized knowledge. Traditional books and academic journals can be expensive, making it difficult for individuals with limited financial resources to access information. By offering free PDF downloads, publishers and authors are enabling a wider audience to benefit from their work. This inclusivity promotes equal opportunities for learning and personal growth. There are numerous websites and platforms where individuals can download Exhp2630 Manual. These websites range from academic databases offering research papers and journals to online libraries with an expansive collection of books from various genres. Many authors and publishers also upload their work to specific websites, granting readers access to their content without any charge. These platforms not only provide access to existing literature but also serve as an excellent platform for undiscovered authors to share their work with the world. However, it is essential to be cautious while downloading Exhp2630 Manual. Some websites may offer pirated or illegally obtained copies of copyrighted material. Engaging in such activities not only violates copyright laws but also undermines the efforts of authors, publishers, and researchers. To ensure ethical downloading, it is advisable to utilize reputable websites that prioritize the legal distribution of content. When downloading Exhp2630 Manual, users should also consider the potential security risks associated with online platforms. Malicious actors may exploit vulnerabilities in unprotected websites to distribute malware or steal personal information. To protect themselves, individuals should ensure their devices have reliable antivirus software installed and validate the legitimacy of the websites they are downloading from. In conclusion, the ability to download Exhp2630 Manual has transformed the way we access information. With the convenience, cost-effectiveness, and accessibility it offers, free PDF downloads have become a popular choice for students, researchers, and book lovers worldwide. However, it is crucial to engage in ethical downloading practices and prioritize personal security when utilizing online platforms. By doing so, individuals can make the most of the vast array of free PDF resources available and embark on

a journey of continuous learning and intellectual growth.

FAQs About Exhp2630 Manual Books

How do I know which eBook platform is the best for me? Finding the best eBook platform depends on your reading preferences and device compatibility. Research different platforms, read user reviews, and explore their features before making a choice. Are free eBooks of good quality? Yes, many reputable platforms offer high-quality free eBooks, including classics and public domain works. However, make sure to verify the source to ensure the eBook credibility. Can I read eBooks without an eReader? Absolutely! Most eBook platforms offer webbased readers or mobile apps that allow you to read eBooks on your computer, tablet, or smartphone. How do I avoid digital eye strain while reading eBooks? To prevent digital eye strain, take regular breaks, adjust the font size and background color, and ensure proper lighting while reading eBooks. What the advantage of interactive eBooks? Interactive eBooks incorporate multimedia elements, quizzes, and activities, enhancing the reader engagement and providing a more immersive learning experience. Exhp2630 Manual is one of the best book in our library for free trial. We provide copy of Exhp2630 Manual in digital format, so the resources that you find are reliable. There are also many Ebooks of related with Exhp2630 Manual. Where to download Exhp2630 Manual online for free? Are you looking for Exhp2630 Manual PDF? This is definitely going to save you time and cash in something you should think about. If you trying to find then search around for online. Without a doubt there are numerous these available and many of them have the freedom. However without doubt you receive whatever you purchase. An alternate way to get ideas is always to check another Exhp2630 Manual. This method for see exactly what may be included and adopt these ideas to your book. This site will almost certainly help you save time and effort, money and stress. If you are looking for free books then you really should consider finding to assist you try this. Several of Exhp2630 Manual are for sale to free while some are payable. If you arent sure if the books you would like to download works with for usage along with your computer, it is possible to download free trials. The free guides make it easy for someone to free access online library for download books to your device. You can get free download on free trial for lots of books categories. Our library is the biggest of these that have literally hundreds of thousands of different products categories represented. You will also see that there are specific sites catered to different product types or categories, brands or niches related with Exhp2630 Manual. So depending on what exactly you are searching, you will be able to choose e books to suit your own need. Need to access completely for Campbell Biology Seventh Edition book? Access Ebook without any digging. And by having access to our ebook online or by storing it on your computer, you have convenient answers with Exhp2630 Manual To get started finding Exhp2630 Manual, you are right to find our website which has a comprehensive collection of books online. Our library is the biggest of these that have

literally hundreds of thousands of different products represented. You will also see that there are specific sites catered to different categories or niches related with Exhp2630 Manual So depending on what exactly you are searching, you will be able to choose ebook to suit your own need. Thank you for reading Exhp2630 Manual. Maybe you have knowledge that, people have search numerous times for their favorite readings like this Exhp2630 Manual, but end up in harmful downloads. Rather than reading a good book with a cup of coffee in the afternoon, instead they juggled with some harmful bugs inside their laptop. Exhp2630 Manual is available in our book collection an online access to it is set as public so you can download it instantly. Our digital library spans in multiple locations, allowing you to get the most less latency time to download any of our books like this one. Merely said, Exhp2630 Manual is universally compatible with any devices to read.

Find Exhp2630 Manual :

~~edith hamilton mythology study guide answer key~~

~~edexcel igcse physics mark scheme jan 2014~~

edexcel gcse maths past paper june 2014

~~economy today 13th edition solution manual~~

economics today and tomorrow answers

~~economist guide to financial markets~~

economic valuation of river systems new horizons in environmental economics

edexcel certificate in mathematics edexcel international gcse mathematics higher revision guide

edgar cayces atlantis

economics paper 2 november 2013 grade 11

economics public issues edition pearson

editing eden a reconsideration of identity politics and place in amazonia

economics june 2013 question papers

ecoute musicale acoustique sonagrammes d crypt s

edexcel gcse maths mark schemes january 2013

Exhp2630 Manual :

push pull smps converter in matlab 2018 youtube - Jul 02 2022

web this video shows the simulation for dc to dc converter using push pull method in this method many advantages are

included like adjustable output voltage according to the load demand this

matlab simulink power electronics simulation push pull pdf - Mar 30 2022

web matlab simulink power electronics simulation push pull modeling and control of power electronics converter system for power quality improvements power electronics with matlab

matlab simulink power electronics simulation push pull - Dec 27 2021

web matlab simulink power electronics simulation push pull this is likewise one of the factors by obtaining the soft documents of this matlab simulink power electronics simulation push pull by online you might not require more become old to spend to go to the ebook initiation as without difficulty as search for them

power system simulation and optimization matlab simulink - Nov 06 2022

web power system simulation involves modeling power generation equipment planning the integration of power plants onto the electric grid and performing generator control system parameter estimation critical power system simulation and optimization tasks include simulating performance against grid code and ensuring production goals are met

push pull buck converter in continuous conduction mode - Jul 14 2023

web push pull buck converter in continuous conduction mode this example shows how to control the output voltage of a push pull buck converter the current flowing through the inductor is never zero therefore the dc dc converter operates in

modeling and simulation of dc dc push pull converter - Feb 09 2023

web abstract in this research a mathematical model of push pull dc dc converter is realized the schematic of the dc dc converter is presented and realized in psim environment the converter can be useful for multiple applications such as pv system suppling grid connected system and etc

power electronics github topics github - Jan 08 2023

web aug 10 2023 star 11 code issues pull requests this drive contains all the matlab and simulink codes and files for the electric drives and power electronics design simulation and analysis simulation electronics matlab simulink motor controller pid control power electronics electric drives updated on apr 3 2017 matlab

closed loop simulation of push pull converter in matlab simulink - Aug 03 2022

web this video demonstrates the simulation of push pull converter in closed loop using matlab simulink

simulation of push pull converter file exchange mathworks - Jun 13 2023

web jun 17 2021 so with this push pull circuit push pull converters have steady input current create less noise on the input line and are more efficient in higher power applications design and simulation of push pull converter for open loop matlab simulink youtube

ee journal chalk talk simulation based tuning of power electronics - Apr 30 2022

web sep 9 2023 simulation of power electronics and power electronics digital controls specifically offers many benefits in this video we focus on using simulation for tuning digital power electronics controllers digital controllers are increasingly used in power electronics and offer many advantages over analog control including flexibility and

power electronics simulation onramp matlab simulink - Sep 04 2022

web my courses learn the basics of simulating power electronics converters in simscape model a buck converter at varying levels of model fidelity from an idealized behavior to a fully nonlinear model and compare their outputs and simulation speeds

power electronics simulation matlab simulink mathworks - Aug 15 2023

web the mathworks community for students researchers and engineers using simulink to apply power electronics control to electric vehicles renewable energy battery systems power conversion and motor control

design and simulation of push pull converter using matlab simulink - Mar 10 2023

web this video demonstrates the design and simulation of push pull converter isolated dc dc converter using matlab simulink push pull converter is an isolated buck converter used in smps

push pull converter theory with matlab simulation youtube - Oct 05 2022

web jul 27 2018 this video shows the dc dc converter push pull configuration theory with matlab simulation in a simple way for beginners in matlab who need to watch this video show more interleaved

push pull converter file exchange matlab central mathworks - Apr 11 2023

web oct 29 2018 download overview models version history reviews 0 discussions 0 the distinguishing feature of a push pull converter is that the transformer primary is supplied with current from the input line by pairs of transistors in a symmetrical push pull circuit

introducing power electronics matlab simulink mathworks - Jan 28 2022

web notice that the snubber disappears on the block icon add a linear transformer block from the simscape electrical specialized power systems passives library set its nominal power frequency and winding parameters winding 1 primary winding 2 secondary as shown in one phase of a tcr tsc static var compensator the units parameter allows

matlab simulink power electronics simulation push pull copy rc - Feb 26 2022

web 2 matlab simulink power electronics simulation push pull 2021 11 11 for the covered machine types describes matlab simulink modelling procedure and introduces the modelling environment to novices covers magnetic circuits transformers rotating machines dc machines electric vehicle motors multiphase machine concept winding design and

apress simulation of power electronics circuits with matlab simulink - Dec 07 2022

web this repository accompanies simulation of power electronics circuits with matlab simulink design analyze and prototype

power electronics by farzin asadi apress 2022 download the files as a zip using the green button or clone the repository to your machine using git

[push pull buck converter in continuous conduction mode](#) - May 12 2023

web push pull buck converter in continuous conduction mode this example shows how to control the output voltage of a push pull buck converter the current flowing through the inductor is never zero therefore the dc dc converter operates in

[push pull converter matlab simulink youtube](#) - Jun 01 2022

web abdelrahman farghly 10 7k subscribers playlist of all dc dc converters youtube com playlist list push pull also called pull push converter simulated by matlab simulink

hsk standard course 1 textbook vol 1 tapa blanda - Sep 01 2023

web with hsk test papers as its primary source hsk standard course is characterized by a humorous style familiar topics and a scientific course design matching the hsk test in

hsk 1 kursu Çince seviye sınavı 1 seviye hazırlık kursu - Oct 22 2022

web tüm seviyeler için sınav bölümlerinde aynı düzen vardır ve sadece içerikler seviyelere göre değişmektedir hsk1 150 kelime hsk2 150 kelime hsk3 300 kelime

[hsk standard course per le scuole superiori](#) - Dec 12 2021

web kindly say the hsk standard course per le scuole superiori 4 is universally compatible with any devices to read 2 basic chinese characters hsk 1 3 pedro ceinos arcones

[hsk standard course per le scuole superiori vol 2](#) - Jun 17 2022

web with a textbook a workbook and a teacher s book in each volume there are altogether 27 books this is hsk standard course 2 textbook which includes 15 lessons and covers

[hsk standard course 1 workbook lingua inglese vol 1](#) - Jul 31 2023

web this is the workbook of hsk standard course 1 including exercises for each of the 15 lessons in the textbook one hsk level 1 model test and an introduction to the hsk

hsk standard course workbook per le scuole superiori vol 2 - Mar 15 2022

web hsk standard course workbook per le scuole superiori vol 2 jiang liping amazon it libri

hsk standard course workbook per le scuole superiori vol 2 - Mar 27 2023

web this is the workbook of hsk standard course 1 including exercises for each of the 15 lessons in the textbook one hsk level 1 model test and an introduction to the hsk

[hsk standard course per le scuole superiori vol 2 amazon es](#) - Jul 19 2022

web hsk standard course per le scuole superiori vol 2 jiang liping amazon es libros

[hsk nedir hsk ne demek nedir com](#) - Nov 10 2021

web hsk açılımı hanyu shuiping kaoshi dir hsk Çin halk cumhuriyeti nin anadili Çince olmayanların Çince dilindeki yeterliliklerini ölçmek için uyguladığı tek resmi sınavdır İlk

[hsk hskk seviyeleri hsk hskk Çince sınav merkezi okan](#) - Nov 22 2022

web hsk 1 150 1 derece a1 hsk 2 300 2 derece a2 hsk 3 600 3 derece b1 hsk 4 1200 4 derece b2 hsk 5 2500 5 derece c1 hsk 6 5000 ve üstü 6 derece c2 hsk 7 9

hsk standard course textbook per le scuole superiori con - Apr 27 2023

web hsk standard course textbook per le scuole superiori con cd audio mp3 vol 1 editore beijing university press data di pubblicazione 2014 ean 9787561937099

hsk standard course per le scuole superiori vol 1 jiang - Dec 24 2022

web hsk standard course per le scuole superiori vol 1 jiang liping amazon es libros

[hsk standard course workbook per le scuole superiori vol 2](#) - Jan 13 2022

web hsk standard course workbook per le scuole superiori vol 2 jiang liping amazon es libros

hsk standard course textbook per le scuole superiori vol 1 - Oct 02 2023

web hsk standard course textbook per le scuole superiori vol 1 confucius institute headquarters amazon it libri

hsk sınavı nedir hsk sınav tarihleri Ücreti ve aşamaları - May 17 2022

web jul 29 2020 hsk 1 temel Çince bilgisi diyebiliriz temel cümle ve kelimeleri anlayan kişilerin seviyesine uygun hsk 2 temel ihtiyaçlar için kullanılan basit bir Çince

[hsk standard course 1 textbook vol 1 amazon com br](#) - Sep 20 2022

web compre online hsk standard course 1 textbook vol 1 de liping jiang na amazon frete grÁtis em milhares de produtos com o amazon prime encontre diversos livros

hsk standard course textbook per le scuole superiori vol 1 - Jan 25 2023

web hsk standard course textbook per le scuole superiori vol 1 confucius institute headquarters amazon it libri

[hsk wikipedia](#) - Feb 11 2022

web hsk h ànyǔ s huǐpíng k àoshì 普通话水平测试 è una prova di esame che misura la capacità di utilizzare la lingua cinese da parte di persone non di madrelingua il test è

[hsk standard course per le scuole superiori vol 1 abebooks](#) - Feb 23 2023

web hsk standard course per le scuole superiori vol 1 von jiang liping bei abebooks de isbn 10 7561937105 isbn 13 9787561937105 beijing university

hsk standard course per le scuole superiori vol 1 - May 29 2023

web standard course per le scuole superiori vol 1 jiang liping amazon es libros libros arte y fotografía arquitectura nuevo 13
11 los precios incluyen iva el

hsk standard course textbook per le scuole superiori vol 1 - Jun 29 2023

web hsk standard course textbook per le scuole superiori vol 1 di confucius institute headquarters isbn 10 7561937091 isbn
13 9787561937099 beijing university

hsk standard course per le scuole superiori vol 3 - Apr 15 2022

web hsk standard course per le scuole superiori vol 3 jiang liping amazon es libros

hsk standard course per le scuole superiori vol 4 - Aug 20 2022

web hsk standard course per le scuole superiori vol 4 jiang liping amazon it libri

ibsl exam past papers lankatricks - Mar 30 2022

web aug 1 2014 institute of bankers of sri lanka study reading materials useful for iabf and dabf study reading materials
useful for iabf and dabf other general reading study

ibsl institute of bankers of sri lanka all notes and past - Sep 04 2022

web 1 ibsl past papers sinhala pdf 2 ibsl sri lanka past papers pdf 3 ibsl exam past papers pdf 4 ibsl sri lanka past papers pdf
5 ibsl past pa

ibsl exam past papers sinhala lankatricks - Feb 26 2022

web tag archives ibsl exam past papers economics paper 01 a l commerce or art november 14 2017 a l tutorials tutorials
comments off on economics paper 01 a l

ibsl banking exam past papers in sinhala answers for 2023 - Oct 05 2022

web the ibsl was first established in 1964 in the name of bankers training institute ceylon by the central bank of sri lanka and
re incorporated in 1979 by an act of parliament

ibsl past paper questions help colombo 2023 - Aug 03 2022

web ibsl institute of bankers of sri lanka all notes and past papers in sinhala medium facebook

ibsl past papers lankatricks - Oct 25 2021

web student registrations to programmes conducted by cobaf registrations for classes title name with initials name in full
permanent address district registration

ibsl registration - Nov 25 2021

web here lankatricks website provides you to same of advanced level chemistry past papers to study and success for your
advanced level chemistry papers in the exam following

guru lk banking academy - Jul 02 2022

web 17 01 2023 photos from ibsl banking exam help s post 17 01 2023 ibsl notice ibsl lk single annouement php id 52 16 01 2023

institute of bankers of sri lanka ibsl - Jun 13 2023

all registered students of ibsl academic staff life associate members ibsl staff are eligible for membership university students researchers and any see more

ibsl past papers sinhala pdf archives education resources lk - Apr 11 2023

web institute of bankers of sri lanka department of examination s no index no nic no grade 28 dmf 2020 31 892860920v merit 29 dmf 2020 32 860014351v pass director

banking exam past papers in sinhala pdf - Jan 08 2023

web ibsl insurance exam past papers sinhala download ibsl insurance exam past papers sinhala filename speed downloads ibsl insurance exam past papers sinhala new

ibsl past papers in sinhala lankatricks - Jan 28 2022

web slas sri lanka administrative service exam tutorials which were published on this dinamini sri lankan news paper and there are thousands of people enter in to sri

ibsl past papers english lankatricks - Dec 27 2021

web ibsl past papers in sinhala digital logic and transistor o l ict tutorial part 03 exam tutorials which were published on this dinamini sri lankan news paper and there are

ibsl - Nov 06 2022

web ibsl past papers ibsl past papers ewanna puluwanda dilhani fernando 01 11 2019

ibsl library all the past papers and model answers of - Feb 09 2023

web oct 12 2021 by english in sinhala 2021 10 12 government banking exam past papers in sinhala medium boc nsb peoples cbsl past papers related to banking exams

ibsl past paper 10 pdf files past papers archive - May 12 2023

web 7075 ibsl exam past papers free download updated 3206 kb s 8168 search results examination guru lk banking academy the institute of bankers of sri lanka ibsl

ibsl exam past papers free download answers for 2023 exams - Jul 14 2023

the library has a unique collection of important reading materials ranging from books and journals to study packs on various subjects relevant to banking and see more

past papers sri lanka study materials collection in sri lanka - Jun 01 2022

web the institute of bankers of sri lanka ibsl conducts open examinations in banking finance for the academic programs

namely intermediate in applied banking finance

[ibsl past papers fat lk page1](#) - Dec 07 2022

web ibsl library february 22 2020 all the past papers and model answers of previous exams are available for reference at the ibsl library all other text books are available

study pack reading materials useful for iabf and dabf blogger - Apr 30 2022

web past papers sri lanka offers a collection of study materials ranging from past papers and marking schemes to textbooks question banks and past papers in sri lanka phone

ibsl insurance exam past papers sinhala answers for 2023 exams - Mar 10 2023

web in our archive section you can find links to various websites that have old past papers in the pdf format enter the search term in the box below and click the search archive button

ibsl - Aug 15 2023

the ibsl library has a resourceful collection of study materials covering study packs subject related books general readings question papers with suggested answers and periodicals it provides one of the main educational support services for the banking students and the bankers island wide see more