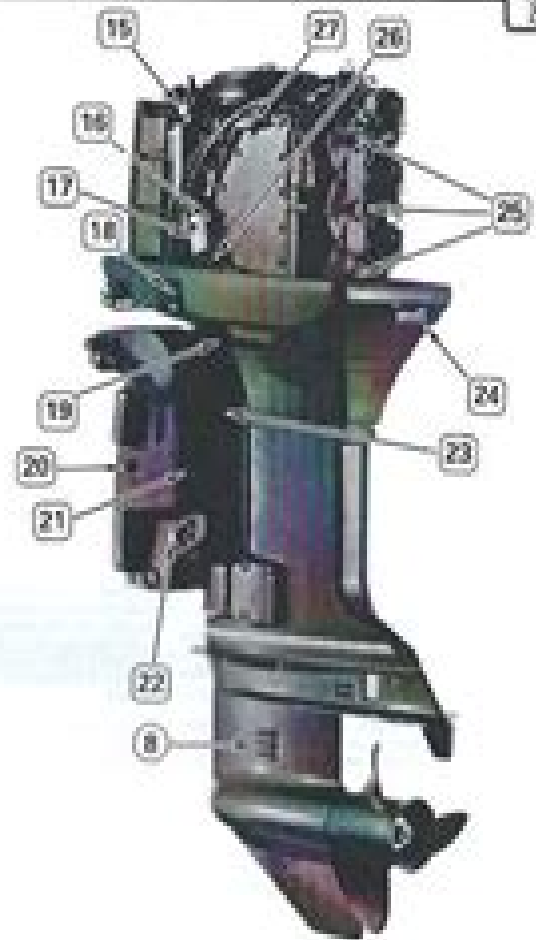


Item	Description	Page
1	Water Pump Indicator	11
2	Trimming Tilt Switch	11
3	Tilt Support Lever	11
4	Adjustment Knobs	11
5	Tilt Tab	26, 27
6	Propeller (not supplied)	26, 27
7	Adjustment Screw of S. Plug	26

Item	Description	Page
8	Water Intake	11
9	Adjustment Level Plug	11
10	Power Trim Tilt Pedestal	11
11	Tilt Lock Switch	11
12	Power Switch	11
13	Remote Control	11
14	Clip and Latch Assembly	11



Item	Description	Page
15	Water Pump Filter	11
16	Water Pump Filter	11
17	Water Pump Filter	11
18	Water Pump Filter	11
19	Water Pump Filter	11
20	Water Pump Filter	11
21	Water Pump Filter	11
22	Water Pump Filter	11
23	Water Pump Filter	11
24	Water Pump Filter	11
25	Water Pump Filter	11
26	Water Pump Filter	11
27	Water Pump Filter	11
28	Water Pump Filter	11

Item	Description	Page
1	Oil Control Valve	11
2	Model and Serial Number Plate	11
3	Engine Cover Latch	11
4	Spark Plug	11
5	Water Pressure Tap	11
6	Fuel	11

Evinrude Outboard Motor Troubleshooting Guide

Karin Nielsen-Saines



Evinrude Outboard Motor Troubleshooting Guide:

This Enthralling Realm of Kindle Books: A Detailed Guide Unveiling the Advantages of E-book Books: A World of Convenience and Flexibility Kindle books, with their inherent mobility and simplicity of access, have freed readers from the constraints of hardcopy books. Done are the days of carrying bulky novels or meticulously searching for particular titles in bookstores. Kindle devices, sleek and lightweight, seamlessly store an extensive library of books, allowing readers to indulge in their preferred reads anytime, everywhere. Whether commuting on a bustling train, lounging on a sunny beach, or just cozying up in bed, Kindle books provide an unparalleled level of convenience. A Reading World Unfolded: Discovering the Wide Array of Kindle Evinrude Outboard Motor Troubleshooting Guide Evinrude Outboard Motor Troubleshooting Guide The Kindle Store, a digital treasure trove of literary gems, boasts an extensive collection of books spanning diverse genres, catering to every readers preference and preference. From captivating fiction and mind-stimulating non-fiction to classic classics and contemporary bestsellers, the E-book Shop offers an unparalleled variety of titles to explore. Whether seeking escape through immersive tales of imagination and adventure, delving into the depths of past narratives, or broadening ones understanding with insightful works of scientific and philosophy, the Kindle Store provides a doorway to a bookish world brimming with limitless possibilities. A Game-changing Factor in the Bookish Scene: The Lasting Influence of E-book Books Evinrude Outboard Motor Troubleshooting Guide The advent of Kindle books has undoubtedly reshaped the bookish scene, introducing a paradigm shift in the way books are released, disseminated, and consumed. Traditional publication houses have embraced the online revolution, adapting their approaches to accommodate the growing need for e-books. This has led to a surge in the availability of E-book titles, ensuring that readers have access to a vast array of literary works at their fingers. Moreover, E-book books have equalized access to books, breaking down geographical barriers and offering readers worldwide with equal opportunities to engage with the written word. Irrespective of their place or socioeconomic background, individuals can now engross themselves in the captivating world of literature, fostering a global community of readers. Conclusion: Embracing the E-book Experience Evinrude Outboard Motor Troubleshooting Guide E-book books Evinrude Outboard Motor Troubleshooting Guide, with their inherent convenience, versatility, and vast array of titles, have unquestionably transformed the way we experience literature. They offer readers the freedom to discover the boundless realm of written expression, whenever, anywhere. As we continue to travel the ever-evolving online landscape, Kindle books stand as testament to the lasting power of storytelling, ensuring that the joy of reading remains reachable to all.

https://www.portal.goodeyes.com/About/Resources/Download_PDFS/corolla%202002%20workshop%20manual.pdf

Table of Contents Evinrude Outboard Motor Troubleshooting Guide

1. Understanding the eBook Evinrude Outboard Motor Troubleshooting Guide
 - The Rise of Digital Reading Evinrude Outboard Motor Troubleshooting Guide
 - Advantages of eBooks Over Traditional Books
2. Identifying Evinrude Outboard Motor Troubleshooting Guide
 - Exploring Different Genres
 - Considering Fiction vs. Non-Fiction
 - Determining Your Reading Goals
3. Choosing the Right eBook Platform
 - Popular eBook Platforms
 - Features to Look for in an Evinrude Outboard Motor Troubleshooting Guide
 - User-Friendly Interface
4. Exploring eBook Recommendations from Evinrude Outboard Motor Troubleshooting Guide
 - Personalized Recommendations
 - Evinrude Outboard Motor Troubleshooting Guide User Reviews and Ratings
 - Evinrude Outboard Motor Troubleshooting Guide and Bestseller Lists
5. Accessing Evinrude Outboard Motor Troubleshooting Guide Free and Paid eBooks
 - Evinrude Outboard Motor Troubleshooting Guide Public Domain eBooks
 - Evinrude Outboard Motor Troubleshooting Guide eBook Subscription Services
 - Evinrude Outboard Motor Troubleshooting Guide Budget-Friendly Options
6. Navigating Evinrude Outboard Motor Troubleshooting Guide eBook Formats
 - ePub, PDF, MOBI, and More
 - Evinrude Outboard Motor Troubleshooting Guide Compatibility with Devices
 - Evinrude Outboard Motor Troubleshooting Guide Enhanced eBook Features
7. Enhancing Your Reading Experience
 - Adjustable Fonts and Text Sizes of Evinrude Outboard Motor Troubleshooting Guide
 - Highlighting and Note-Taking Evinrude Outboard Motor Troubleshooting Guide
 - Interactive Elements Evinrude Outboard Motor Troubleshooting Guide
8. Staying Engaged with Evinrude Outboard Motor Troubleshooting Guide

- Joining Online Reading Communities
 - Participating in Virtual Book Clubs
 - Following Authors and Publishers Evinrude Outboard Motor Troubleshooting Guide
9. Balancing eBooks and Physical Books Evinrude Outboard Motor Troubleshooting Guide
- Benefits of a Digital Library
 - Creating a Diverse Reading Collection Evinrude Outboard Motor Troubleshooting Guide
10. Overcoming Reading Challenges
- Dealing with Digital Eye Strain
 - Minimizing Distractions
 - Managing Screen Time
11. Cultivating a Reading Routine Evinrude Outboard Motor Troubleshooting Guide
- Setting Reading Goals Evinrude Outboard Motor Troubleshooting Guide
 - Carving Out Dedicated Reading Time
12. Sourcing Reliable Information of Evinrude Outboard Motor Troubleshooting Guide
- Fact-Checking eBook Content of Evinrude Outboard Motor Troubleshooting Guide
 - Distinguishing Credible Sources
13. Promoting Lifelong Learning
- Utilizing eBooks for Skill Development
 - Exploring Educational eBooks
14. Embracing eBook Trends
- Integration of Multimedia Elements
 - Interactive and Gamified eBooks

Evinrude Outboard Motor Troubleshooting Guide Introduction

Free PDF Books and Manuals for Download: Unlocking Knowledge at Your Fingertips In today's fast-paced digital age, obtaining valuable knowledge has become easier than ever. Thanks to the internet, a vast array of books and manuals are now available for free download in PDF format. Whether you are a student, professional, or simply an avid reader, this treasure trove of downloadable resources offers a wealth of information, conveniently accessible anytime, anywhere. The advent of online libraries and platforms dedicated to sharing knowledge has revolutionized the way we consume information. No longer confined to physical libraries or bookstores, readers can now access an extensive collection of digital books and

manuals with just a few clicks. These resources, available in PDF, Microsoft Word, and PowerPoint formats, cater to a wide range of interests, including literature, technology, science, history, and much more. One notable platform where you can explore and download free Evinrude Outboard Motor Troubleshooting Guide PDF books and manuals is the internet's largest free library. Hosted online, this catalog compiles a vast assortment of documents, making it a veritable goldmine of knowledge. With its easy-to-use website interface and customizable PDF generator, this platform offers a user-friendly experience, allowing individuals to effortlessly navigate and access the information they seek. The availability of free PDF books and manuals on this platform demonstrates its commitment to democratizing education and empowering individuals with the tools needed to succeed in their chosen fields. It allows anyone, regardless of their background or financial limitations, to expand their horizons and gain insights from experts in various disciplines. One of the most significant advantages of downloading PDF books and manuals lies in their portability. Unlike physical copies, digital books can be stored and carried on a single device, such as a tablet or smartphone, saving valuable space and weight. This convenience makes it possible for readers to have their entire library at their fingertips, whether they are commuting, traveling, or simply enjoying a lazy afternoon at home. Additionally, digital files are easily searchable, enabling readers to locate specific information within seconds. With a few keystrokes, users can search for keywords, topics, or phrases, making research and finding relevant information a breeze. This efficiency saves time and effort, streamlining the learning process and allowing individuals to focus on extracting the information they need. Furthermore, the availability of free PDF books and manuals fosters a culture of continuous learning. By removing financial barriers, more people can access educational resources and pursue lifelong learning, contributing to personal growth and professional development. This democratization of knowledge promotes intellectual curiosity and empowers individuals to become lifelong learners, promoting progress and innovation in various fields. It is worth noting that while accessing free Evinrude Outboard Motor Troubleshooting Guide PDF books and manuals is convenient and cost-effective, it is vital to respect copyright laws and intellectual property rights. Platforms offering free downloads often operate within legal boundaries, ensuring that the materials they provide are either in the public domain or authorized for distribution. By adhering to copyright laws, users can enjoy the benefits of free access to knowledge while supporting the authors and publishers who make these resources available. In conclusion, the availability of Evinrude Outboard Motor Troubleshooting Guide free PDF books and manuals for download has revolutionized the way we access and consume knowledge. With just a few clicks, individuals can explore a vast collection of resources across different disciplines, all free of charge. This accessibility empowers individuals to become lifelong learners, contributing to personal growth, professional development, and the advancement of society as a whole. So why not unlock a world of knowledge today? Start exploring the vast sea of free PDF books and manuals waiting to be discovered right at your fingertips.

FAQs About Evinrude Outboard Motor Troubleshooting Guide Books

What is a Evinrude Outboard Motor Troubleshooting Guide PDF? A PDF (Portable Document Format) is a file format developed by Adobe that preserves the layout and formatting of a document, regardless of the software, hardware, or operating system used to view or print it. **How do I create a Evinrude Outboard Motor Troubleshooting Guide PDF?** There are several ways to create a PDF: Use software like Adobe Acrobat, Microsoft Word, or Google Docs, which often have built-in PDF creation tools. Print to PDF: Many applications and operating systems have a "Print to PDF" option that allows you to save a document as a PDF file instead of printing it on paper. Online converters: There are various online tools that can convert different file types to PDF. **How do I edit a Evinrude Outboard Motor Troubleshooting Guide PDF?** Editing a PDF can be done with software like Adobe Acrobat, which allows direct editing of text, images, and other elements within the PDF. Some free tools, like PDFescape or Smallpdf, also offer basic editing capabilities. **How do I convert a Evinrude Outboard Motor Troubleshooting Guide PDF to another file format?** There are multiple ways to convert a PDF to another format: Use online converters like Smallpdf, Zamzar, or Adobe Acrobats export feature to convert PDFs to formats like Word, Excel, JPEG, etc. Software like Adobe Acrobat, Microsoft Word, or other PDF editors may have options to export or save PDFs in different formats. **How do I password-protect a Evinrude Outboard Motor Troubleshooting Guide PDF?** Most PDF editing software allows you to add password protection. In Adobe Acrobat, for instance, you can go to "File" -> "Properties" -> "Security" to set a password to restrict access or editing capabilities. Are there any free alternatives to Adobe Acrobat for working with PDFs? Yes, there are many free alternatives for working with PDFs, such as: LibreOffice: Offers PDF editing features. PDFsam: Allows splitting, merging, and editing PDFs. Foxit Reader: Provides basic PDF viewing and editing capabilities. How do I compress a PDF file? You can use online tools like Smallpdf, ILovePDF, or desktop software like Adobe Acrobat to compress PDF files without significant quality loss. Compression reduces the file size, making it easier to share and download. Can I fill out forms in a PDF file? Yes, most PDF viewers/editors like Adobe Acrobat, Preview (on Mac), or various online tools allow you to fill out forms in PDF files by selecting text fields and entering information. Are there any restrictions when working with PDFs? Some PDFs might have restrictions set by their creator, such as password protection, editing restrictions, or print restrictions. Breaking these restrictions might require specific software or tools, which may or may not be legal depending on the circumstances and local laws.

Find Evinrude Outboard Motor Troubleshooting Guide :

corolla 2002 workshop manual

copyright your software

~~cosas que me gustan de mi sentimientos~~

~~correctional counselor study guide california~~

~~corvette c3 manual~~

cormen 3rd edition solution manual

~~corporate finance second edition berk solution manual~~

~~core topics in cardiac anaesthesia~~

~~copystar cs 1650 cs 2050 parts list includes dp 410 pf 410 js 410 df 410~~

corel wordperfect 9 spiral signature series

~~corrosion and degradation of implant materials a symposium by astm 22 23 may 1978~~

~~cornerstones of freedom the u s constitution cornerstones of freedom third~~

~~corvair auto to manual~~

copyediting and proofreading for dummies

~~corporate design guide medonalds~~

Evinrude Outboard Motor Troubleshooting Guide :

produced water treatment field manual paperback - Jan 28 2022

web aug 31 2021 a large volume of produced water needs to be treated and managed daily which makes it an environmental concern issue the average amount of produced

produced water treatment field manual 1st edition elsevier - Jun 13 2023

web jul 13 2011 description produced water treatment field manual presents different methods used in produced water treatment systems in the oil and gas industry

produced water treatment field manual open library - Dec 07 2022

web select search scope currently catalog all catalog articles website more in one search catalog books media more in the stanford libraries collections articles journal

oil field produced water treatment characterization - Nov 25 2021

produced water treatment field manual barnes noble - Apr 30 2022

web apr 12 2023 managing and advancing treatment technologies for produced water the u s department of energy s office of fossil energy and carbon management fecm is

produced water treatment field manual amazon com - Aug 03 2022

web packed with over 500 tables figures and equations the objective of this book is to provide any one who is involved in the design operation maintenance and sizing of produced

[produced water treatment field manual worldcat org](#) - Feb 09 2023

web produced water treatment field manual presents different methods used in produced water treatment systems in the oil and gas industry produced water is salty water that

produced water treatment field manual sciencedirect - Aug 15 2023

web produced water treatment field manual presents different methods used in produced water treatment systems in the oil and gas industry produced water is salty water that

produced water treatment field manual electronic resource - Nov 06 2022

web jul 13 2011 produced water treatment field manual presents different methods used in produced water treatment systems in the oil and gas industry produced water is salty

produced water treatment field manual overdrive - Oct 05 2022

web produced water treatment field manual presents different methods used in produced water treatment systems in the oil and gas industry produced water is salty water that

[produced water treatment field manual perlego](#) - Sep 04 2022

web aug 22 2011 produced water treatment field manual presents different methods used in produced water treatment systems in the oil and gas industry produced water is

produced water treatment field manual scribd - Jan 08 2023

web oct 9 2020 produced water treatment field manual 1st ed by maurice stewart 0 ratings 0 want to read 0 currently reading 0 have read this edition doesn t have a

produced water treatment field manual on apple books - Oct 25 2021

produced water treatment field manual researchgate - Apr 11 2023

web jan 1 2011 produced water treatment field manual authors m stewart k arnold download citation abstract produced water is mainly salty water trapped in the

[iop conference series materials science and engineering](#) - Jun 01 2022

web produced water treatment field manual presents different methods used in produced water treatment systems in the oil and gas industry produced water is salty water that

[review of oilfield produced water treatment technologies](#) - Dec 27 2021

web produced water treatment field manual presents different methods used in produced water treatment systems in the oil

and gas industry produced water is salty water that

produced water treatment field manual maurice stewart - Feb 26 2022

web jul 1 2022 due to the rise in oil and gas production activities eia 2021 the amount of oilfield produced water opw has been growing worldwide and its environmental

produced water treatment field manual google books - May 12 2023

web jul 13 2011 produced water treatment field manual presents different methods used in produced water treatment systems in the oil and gas industry produced water is salty

produced water treatment field manual google books - Jul 14 2023

web aug 8 2011 produced water treatment field manual maurice stewart ken arnold gulf professional publishing aug 8 2011 business economics 244 pages produced

managing and advancing treatment technologies for produced - Mar 30 2022

web isbn 13 9781856179843 file pdf 7 36 mb send to kindle send to paperback you may be interested in ken arnold maurice stewart maurice stewart ken arnold produced

produced water treatment field manual pdf - Mar 10 2023

web produced water treatment field manual authors maurice stewart ken arnold summary produced water is mainly salty water trapped in the reservoir rock and

produced water treatment field manual maurice stewart ken - Jul 02 2022

web treatment of produced water can be achieved within different processes or methods including physical filtration adsorption etc chemical precipitation oxidation and

aaos tenth edition book blogs post gazette com - Oct 24 2021

aaos emergency medical services ems american - May 11 2023

web aaos orange books 10th tenth edition by american academy of orthopaedic digital edition emergency care and transportation of the sick and injured essentials

aaos emergency care and transportation of the sick and - Sep 03 2022

web emergency medical care community care emergency transportation ambulance emergency medical services us department of transportation emergency care and

emergency care of the sick and injured 10 e sample chapter - Oct 04 2022

web aaos emergency care and transportation of the sick and injured tenth edition chapter 3 medical legal and ethical issues

emergency care and transportation of the sick and injured - Sep 22 2021

amazon com aaos 10th edition - Nov 05 2022

web emergency care of the sick and injured 10 e sample chapter free download as pdf file pdf text file txt or read online for free forty years ago the american academy

aaos emergency care and transportation of the sick and - Jul 01 2022

web in 1971 the american academy of orthopaedic surgeons aaos published the first edition of emergency care and transportation of the sick and injured and created the

aaos tenth edition emergency care download only - Jan 27 2022

web the emergency care and transportation of the sick and injured advantage package print edition with precept includes emergency care and transportation of the sick and

emergency care and transportation of the sick and - Jun 12 2023

web since 1971 emergency care and transportation of the sick and injured has advanced how ems education is delivered to help train exceptional ems professionals around the

student workbook for emergency care and transportation of the - Feb 08 2023

web jones bartlett publishers 2016 emergency medical services 1582 pages in 1971 the american academy of orthopaedic surgeons aaos published the first edition of

emergency care and transportation of the sick and injured - Dec 06 2022

web emergency care and transportation of the sick and injured tenth edition hardcover edition american academy of orthopaedic surgeons orange book series by

emergency care and transportation of the sick and injured - Apr 10 2023

web emergency care and transportation of the sick and injured enhanced tenth edition orange book series 40th anniversary 10th edition by american academy of

emergency care and transportation of the sick and injured - Aug 14 2023

web jones bartlett learning 2011 medical 1566 pages in 1971 the american academy of orthopaedic surgeons aaos published the first edition of emergency care and

aaos emergency care 10th edition - Nov 24 2021

web jan 1 1994 emergency care and transportation of the sick and injured tenth edition aaos orange books 10th tenth by american academy of orthopaedic surgeons

emergency care and transportation of the sick and injured - Apr 29 2022

web chapter 10 of emergency care and transportation of the sick and injured the curriculum book for emt b certification tenth edition

emergency care and transportation of the sick and injured - Aug 02 2022

web aaos emergency care and transportation of the sick and injured tenth edition chapter 3 medical legal and ethical issues

emergency care and transportation of the sick and - Dec 26 2021

web nov 29 2022 in 1971 the american academy of orthopaedic surgeons aaos published the first edition of emergency care and transportation of the sick and

aaos tenth edition ebooks download treca - May 31 2022

web feb 24 2021 fifty years later the twelfth edition is now the most advanced emt teaching and learning system ever developed current state of the art medical content

aaos emergency care and transportation of the sick and - Mar 29 2022

web the thoroughly updated third edition of this popular and widely used pocket reference guides the trauma team through every aspect of patient care after injury and before

emergency care and transportation of the sick and - Jul 13 2023

web emergency care and transportation of the sick and injured edition 10 ebook written by american academy of orthopaedic surgeons aaos read this book using google

emergency care and transportation of the sick and injured - Mar 09 2023

web dec 31 2010 student workbook for emergency care and transportation of the sick and injured tenth edition this student workbook contains exercises to reinforce what you

emergency care and transportation of the sick and - Jan 07 2023

web code aaos orange books 10th tenth edition by american academy of orthopaedic surgeons aaos published by jones bartlett publishers 2011 edition since 1971

aaos tenth edition emergency care the salvation army - Feb 25 2022

web aug 16 2023 we provide aaos tenth edition emergency care and numerous book collections from fictions to scientific research in any way among them is this aaos

jlpt n5 kanji flashcards175 and quiz60 japanese e - Feb 25 2022

web jlpt n5 kanji flashcards175 and quiz60 japanese e 1 jlpt n5 kanji flashcards175 and quiz60 japanese e recognizing the way ways to acquire this book jlpt n5 kanji

jlpt n5 kanji test japanesequizzes com - Jan 07 2023

web new quizzes are available every day at several skill levels take the nihongo pro quiz challenge every day from your pc mac smartphone ipad ipod or tablet and learn

jlpt n5 kanji flashcards175 and quiz60 japanese e copy - Dec 26 2021

web jlpt n5 kanji flashcards175 and quiz60 japanese e 3 3 evaluation if available the courseware is also indexed alphabetically by title content area and language mse

jlpt n5 kanji flashcards175 and quiz60 japanese e 2023 - Mar 29 2022

web right here we have countless books jlpt n5 kanji flashcards175 and quiz60 japanese e and collections to check out we additionally present variant types and plus type of the

memorize jlpt n5 kanji with a free japanese quiz - Dec 06 2022

web name jlpt n5 kanji 01 topic jlpt n5 kanji practice test how to do choose the correct kanji of underlined hiragana or correct reading of underlined kanji number of

jlpt n5 kanji flashcards175 and quiz60 japanese e copy vod - Nov 24 2021

web apr 12 2023 get the jlpt n5 kanji flashcards175 and quiz60 japanese e associate that we have enough money here and check out the link you could buy guide jlpt n5 kanji

jlpt n5 kanji flashcards and study sets quizlet - Aug 14 2023

web learn jlpt n5 kanji with free interactive flashcards choose from 5 000 different sets of jlpt n5 kanji flashcards on quizlet

jlpt n5 kanji flashcards175 and quiz60 japanese e uniport edu - Jul 01 2022

web jlpt n5 kanji flashcards175 and quiz60 japanese e test yourself jlpt n5 n4 n3 n2 n1 kanji vocabulary flashcards easy learning to read write and remember kanji for

jlpt n5 kanji flashcards175 and quiz60 japanese edition - Jul 13 2023

web jul 29 2017 jlpt n5 kanji flashcards175 and quiz60 japanese edition kindle edition jlpt n5 kanji flashcards175 and quiz60 japanese edition kindle edition

jlpt n5 kanji flashcards175 and quiz60 japanese e - Jan 27 2022

web 2 jlpt n5 kanji flashcards175 and quiz60 japanese e 2020 02 08 japanese kanji for beginners yesjapan corporation this is an invaluable study guide and practice book for

jlpt n5 kanji flashcards175 and quiz60 japanese e - May 31 2022

web jun 6 2023 jlpt n5 kanji flashcards175 and quiz60 japanese e 1 3 downloaded from uniport edu ng on june 6 2023 by guest jlpt n5 kanji flashcards175 and quiz60

jlpt n5 kanji flashcards175 and quiz60 japanese e uniport edu - May 11 2023

web may 21 2023 jlpt n5 kanji flashcards175 and quiz60 japanese e 2 3 downloaded from uniport edu ng on may 21 2023 by guest the reverse page a common

jlpt n5 kanji flashcards175 and quiz60 japanese e pdf - Sep 03 2022

web jlpt n5 kanji flashcards175 and quiz60 japanese e is available in our digital library an online access to it is set as public

so you can download it instantly our book servers

jlpt n5 kanji flashcards175 and quiz60 japanese e jbedssofa - Aug 02 2022

web may 23 2023 jlpt n5 kanji flashcards175 and quiz60 japanese e 3 5 downloaded from uniport edu ng on may 23 2023 by guest guesswork and the illusion of multiple

jlpt n5 kanji practice test 01 japanese quizzes - Nov 05 2022

web aug 10 2023 jlpt n5 kanji flashcards175 and quiz60 japanese e 1 1 downloaded from uniport edu ng on august 10 2023 by guest jlpt n5 kanji flashcards175 and quiz60

jlpt n5 kanji flashcards175 and quiz60 japanese e pdf - Apr 29 2022

web we come up with the money for you this proper as capably as easy quirk to acquire those all we present jlpt n5 kanji flashcards175 and quiz60 japanese e and numerous

jlpt n5 kanji flashcards175 and quiz60 japanese e pdf - Oct 04 2022

web right here we have countless books jlpt n5 kanji flashcards175 and quiz60 japanese e and collections to check out we additionally have the funds for variant types and

jlpt n5 kanji flashcards175 and quiz60 japanese e pdf - Oct 24 2021

jlpt n5 kanji practice questions jpdrills - Feb 08 2023

web practice jlpt n5 kanji with hand written answer explanations built by japanese learners for japanese learners jpdrills is a linguistic practice platform for motivated japanese

jlpt n5 kanji flashcards175 and quiz60 japanese edition - Apr 10 2023

web jlpt n5 kanji flashcards175 and quiz60 japanese edition ebook ono junichi amazon com au kindle store

jlpt n5 kanji flashcards175 and quiz60 japanese edition - Mar 09 2023

web jlpt n5 kanji flashcards175 and quiz60 japanese edition ebook ono junichi amazon in kindle store

jlpt n5 kanji flashcards175 and quiz60 japanese e pdf - Jun 12 2023

web jlpt n5 kanji flashcards175 and quiz60 japanese e is available in our digital library an online access to it is set as public so you can download it instantly our books collection