

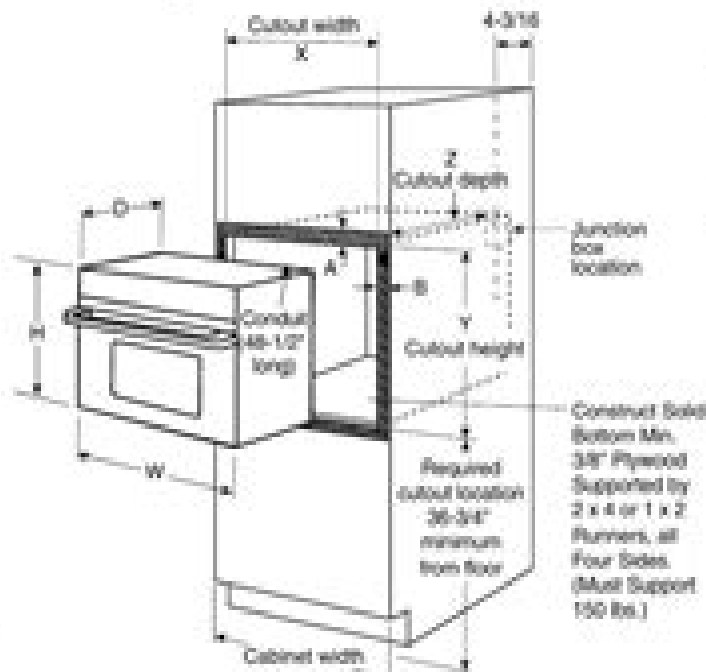
GE Profile Advantium® 120 Wall Oven

Advantium wall oven/GE Profile cooking tower dimensions and cabinet installation information (in inches)

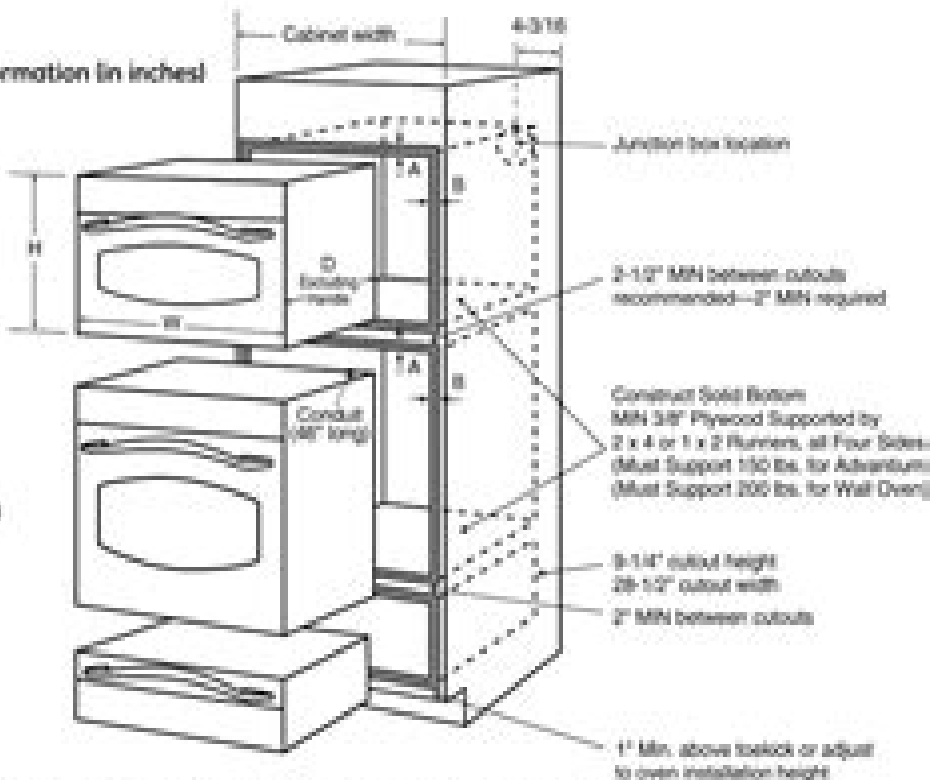
Note: Cabinets installed adjacent to wall ovens must have an adhesion spec of at least a 234°F temperature rating.

Note: 2" minimum between cutouts when installed above warming drawer or single wall oven.

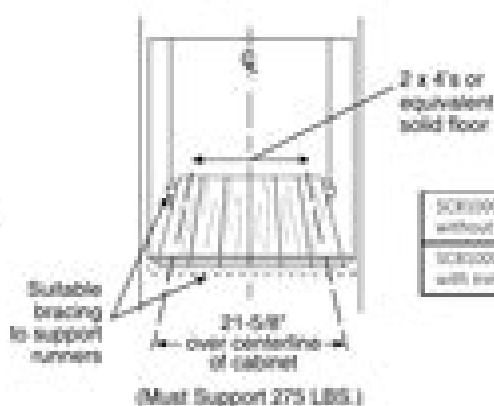
Installation information: Before installing, consult installation instructions packed with product for current dimensional data.



A=Allow 1" overlap of oven over top and bottom edges of cutout.
B=Allow 11/16"-3/4" for overlap of oven over side edges of cutout.



A=Allow 1" overlap of oven over top and bottom edges of cutout.
B=Allow 11/16"-3/4" for overlap of oven over side edges of cutout.



	Cabinet Width	W Width	H Height	D Depth (including handle)	X Cutout Width	Y Cutout Height	Z Cutout Depth (minimum)
SCB1001's 27" installation without trim kit	27	26-3/4	19-1/32	21-1/2	25-1/8	17-1/2	23-1/2
SCB1001's 30" installation with trim kit	30	29-3/4	19-1/32	21-1/2	25-1/8	17-1/2	23-1/2

For answers to your Monogram,® GE Profile™ or GE® appliance questions, visit our website at www.ge.com or call GE Answer Center® service, 800.626.2000.

Ge User Manuals

SB Merriam



Ge User Manuals:

Immerse yourself in heartwarming tales of love and emotion with its touching creation, Tender Moments: **Ge User Manuals** . This emotionally charged ebook, available for download in a PDF format (Download in PDF: *), is a celebration of love in all its forms. Download now and let the warmth of these stories envelop your heart.

<https://www.portal.goodeyes.com/public/Resources/Documents/globe%20slicing%20machine%20model%20400%20owners%20manual.pdf>

Table of Contents Ge User Manuals

1. Understanding the eBook Ge User Manuals
 - The Rise of Digital Reading Ge User Manuals
 - Advantages of eBooks Over Traditional Books
2. Identifying Ge User Manuals
 - Exploring Different Genres
 - Considering Fiction vs. Non-Fiction
 - Determining Your Reading Goals
3. Choosing the Right eBook Platform
 - Popular eBook Platforms
 - Features to Look for in an Ge User Manuals
 - User-Friendly Interface
4. Exploring eBook Recommendations from Ge User Manuals
 - Personalized Recommendations
 - Ge User Manuals User Reviews and Ratings
 - Ge User Manuals and Bestseller Lists
5. Accessing Ge User Manuals Free and Paid eBooks
 - Ge User Manuals Public Domain eBooks
 - Ge User Manuals eBook Subscription Services
 - Ge User Manuals Budget-Friendly Options

6. Navigating Ge User Manuals eBook Formats
 - ePub, PDF, MOBI, and More
 - Ge User Manuals Compatibility with Devices
 - Ge User Manuals Enhanced eBook Features
7. Enhancing Your Reading Experience
 - Adjustable Fonts and Text Sizes of Ge User Manuals
 - Highlighting and Note-Taking Ge User Manuals
 - Interactive Elements Ge User Manuals
8. Staying Engaged with Ge User Manuals
 - Joining Online Reading Communities
 - Participating in Virtual Book Clubs
 - Following Authors and Publishers Ge User Manuals
9. Balancing eBooks and Physical Books Ge User Manuals
 - Benefits of a Digital Library
 - Creating a Diverse Reading Collection Ge User Manuals
10. Overcoming Reading Challenges
 - Dealing with Digital Eye Strain
 - Minimizing Distractions
 - Managing Screen Time
11. Cultivating a Reading Routine Ge User Manuals
 - Setting Reading Goals Ge User Manuals
 - Carving Out Dedicated Reading Time
12. Sourcing Reliable Information of Ge User Manuals
 - Fact-Checking eBook Content of Ge User Manuals
 - Distinguishing Credible Sources
13. Promoting Lifelong Learning
 - Utilizing eBooks for Skill Development
 - Exploring Educational eBooks
14. Embracing eBook Trends
 - Integration of Multimedia Elements

- Interactive and Gamified eBooks

Ge User Manuals Introduction

In this digital age, the convenience of accessing information at our fingertips has become a necessity. Whether its research papers, eBooks, or user manuals, PDF files have become the preferred format for sharing and reading documents. However, the cost associated with purchasing PDF files can sometimes be a barrier for many individuals and organizations. Thankfully, there are numerous websites and platforms that allow users to download free PDF files legally. In this article, we will explore some of the best platforms to download free PDFs. One of the most popular platforms to download free PDF files is Project Gutenberg. This online library offers over 60,000 free eBooks that are in the public domain. From classic literature to historical documents, Project Gutenberg provides a wide range of PDF files that can be downloaded and enjoyed on various devices. The website is user-friendly and allows users to search for specific titles or browse through different categories. Another reliable platform for downloading Ge User Manuals free PDF files is Open Library. With its vast collection of over 1 million eBooks, Open Library has something for every reader. The website offers a seamless experience by providing options to borrow or download PDF files. Users simply need to create a free account to access this treasure trove of knowledge. Open Library also allows users to contribute by uploading and sharing their own PDF files, making it a collaborative platform for book enthusiasts. For those interested in academic resources, there are websites dedicated to providing free PDFs of research papers and scientific articles. One such website is Academia.edu, which allows researchers and scholars to share their work with a global audience. Users can download PDF files of research papers, theses, and dissertations covering a wide range of subjects. Academia.edu also provides a platform for discussions and networking within the academic community. When it comes to downloading Ge User Manuals free PDF files of magazines, brochures, and catalogs, Issuu is a popular choice. This digital publishing platform hosts a vast collection of publications from around the world. Users can search for specific titles or explore various categories and genres. Issuu offers a seamless reading experience with its user-friendly interface and allows users to download PDF files for offline reading. Apart from dedicated platforms, search engines also play a crucial role in finding free PDF files. Google, for instance, has an advanced search feature that allows users to filter results by file type. By specifying the file type as "PDF," users can find websites that offer free PDF downloads on a specific topic. While downloading Ge User Manuals free PDF files is convenient, its important to note that copyright laws must be respected. Always ensure that the PDF files you download are legally available for free. Many authors and publishers voluntarily provide free PDF versions of their work, but its essential to be cautious and verify the authenticity of the source before downloading Ge User Manuals. In conclusion, the internet offers numerous platforms and websites that allow users to download free PDF files legally. Whether its classic literature, research papers, or magazines, there is something for

everyone. The platforms mentioned in this article, such as Project Gutenberg, Open Library, Academia.edu, and Issuu, provide access to a vast collection of PDF files. However, users should always be cautious and verify the legality of the source before downloading Ge User Manuals any PDF files. With these platforms, the world of PDF downloads is just a click away.

FAQs About Ge User Manuals Books

What is a Ge User Manuals PDF? A PDF (Portable Document Format) is a file format developed by Adobe that preserves the layout and formatting of a document, regardless of the software, hardware, or operating system used to view or print it.

How do I create a Ge User Manuals PDF? There are several ways to create a PDF: Use software like Adobe Acrobat, Microsoft Word, or Google Docs, which often have built-in PDF creation tools. Print to PDF: Many applications and operating systems have a "Print to PDF" option that allows you to save a document as a PDF file instead of printing it on paper. Online converters: There are various online tools that can convert different file types to PDF.

How do I edit a Ge User Manuals PDF? Editing a PDF can be done with software like Adobe Acrobat, which allows direct editing of text, images, and other elements within the PDF. Some free tools, like PDFescape or Smallpdf, also offer basic editing capabilities.

How do I convert a Ge User Manuals PDF to another file format? There are multiple ways to convert a PDF to another format:

Use online converters like Smallpdf, Zamzar, or Adobe Acrobats export feature to convert PDFs to formats like Word, Excel, JPEG, etc. Software like Adobe Acrobat, Microsoft Word, or other PDF editors may have options to export or save PDFs in different formats.

How do I password-protect a Ge User Manuals PDF? Most PDF editing software allows you to add password protection. In Adobe Acrobat, for instance, you can go to "File" -> "Properties" -> "Security" to set a password to restrict access or editing capabilities. Are there any free alternatives to Adobe Acrobat for working with PDFs? Yes, there are many free alternatives for working with PDFs, such as: LibreOffice: Offers PDF editing features. PDFsam: Allows splitting, merging, and editing PDFs. Foxit Reader: Provides basic PDF viewing and editing capabilities.

How do I compress a PDF file? You can use online tools like Smallpdf, ILovePDF, or desktop software like Adobe Acrobat to compress PDF files without significant quality loss. Compression reduces the file size, making it easier to share and download.

Can I fill out forms in a PDF file? Yes, most PDF viewers/editors like Adobe Acrobat, Preview (on Mac), or various online tools allow you to fill out forms in PDF files by selecting text fields and entering information.

Are there any restrictions when working with PDFs? Some PDFs might have restrictions set by their creator, such as password protection, editing restrictions, or print restrictions. Breaking these restrictions might require specific software or tools, which may or may not be legal depending on the circumstances and local laws.

Find Ge User Manuals :

globe slicing machine model 400 owners manual

globe fearon globe earth science answer key

~~globe fearon american history answer key~~

globe lift manual

globe adap classics or the odyssey txs 92c adapted classics

globe fearon literature silver level answer key

globe fearon answer key frankenstein

globe overlocker manual

globe theater dramatic art philosophy definitely organized space

~~globe fearon math exercise books geometry 1999c globe math exercise books~~

globe fearon les miserables answer

~~globalsat technology user manual~~

~~globalsean nx manual~~

globe hurler the hadanum saga book 1

globe fearon historical case studies the civil rights movement

Ge User Manuals :

ati fundamentals practice questions flashcards quizlet - Jun 12 2023

web 1 308 flashcards learn created by scallyhm terms in this set 308 chapter 1 health care delivery systems a nurse is discussing restorative health care with a newly licensed nurse which of the following examples should the nurse include in the teaching select all that apply a home health care b rehabilitation facilities

test bank for rn ati fundamentals all chapters 1 58 with - Oct 04 2022

web dec 26 2022 test bank for rn ati fundamentals all chapters 1 58 with questions and answers fundamentals of nursing 10th edition 10 0 ati content mastery series review module rn ati fundamentals stuvia us

ati fundamentals of nursing practice questions flashcards - Mar 09 2023

web 1 55 flashcards learn test match q chat created by megnelizabeth students also viewed ati rn fundamentals proctored exam 100 terms jessica gustave9 preview ati fundamentals proctor 2023 teacher 70 terms preview enviro health ch 8 exam ii 44 terms preview ati 7 documentation 20 terms madi daugherty preview

ati fundamentals test bank latest complete questions - May 31 2022

web oct 20 2022 1 study guide a ti fundamental complete questions answers 100 score 2 study guide nur 206 ati fundamentals exam chapters 1 to 58 complete latest summer 2020 study 3 exam elaborations a ti fundamental 1 ati fundamental 1 100 already passed fall 2022 4 exam elaborations nur 225 a ti fundamental 1 questions

ati pn fundamentals proctored exam 22 versions studylast - Aug 02 2022

web this test bank contains 1600 ati pn fundamentals of nursing proctored exam questions and answers to them 22 versions of exams and their questions are included in this file while 2021 is the latest you too can download and study this pdf test bank file to pass your nursing exam with an ease

study guide test bank for ati and fundamentals - Oct 16 2023

web study guide test bank for ati and fundamentals multiple test banks available great guide for practice questions ati fundamentals exam chapter health care

ati fundamentals proctored exam test bank - Apr 10 2023

web exam details 25 45 add to cart add to wishlist trusted by 50 000 students 24 7 money back guarantee download is directly available 10337 68 specifications institution chamberlain college of nursing study nursing course ati document course code ati language english subject health care updated on nov 16 2021

ati fundamentals final exam latest 2021 all correct test bank - Jan 07 2023

web apr 6 2021 ati fundamentals final exam latest 2021 all correct test bank questions and answers with explanations revised guide 2021 100 satisfaction guarantee immediately available after payment both online and in pdf no strings attached

ati fundamentals proctored exam test bank 11 versions 2020 - Aug 14 2023

web ati fundamentals exam download for an a 11 latest versions verified questions and answers best document for exam preparation 100 success guaranteed complete and latest guide for ati fundamentals exam 2021 rationale morphine can cause respiratory depression if given too much

fundamentals for students ati ati testing - Sep 15 2023

web fundamentals this review module offers basic nursing fundamental concepts including foundations of practice basic nursing care support of psychosocial needs support of physiologic needs and health assessment

ati fundamentals proctored exam test bank updated docsity - May 11 2023

web download ati fundamentals proctored exam test bank updated and more nursing exams in pdf only on docsity nursing exam ati fundamentals proctored exam test bank 2020 2021 l a nurse is caring for a client who has left lower atelectasis in which of the following positions should the nurse place the client for postural drainage

fundamentals of nursing practice test bank 600 questions nurseslabs - Dec 06 2022

web oct 5 2023 fundamentals of nursing nursing test bank this section is the practice quiz for fundamentals of nursing that can help you think critically and augment your review for the nclex there are 600 nclex style practice questions in this nursing test bank we ve made a significant effort to provide you with the most informative rationale so

[ati fundamentals proctored exam test bank stuvia](#) - Sep 03 2022

web jan 15 2023 1 exam elaborations hesi rn fundamentals exam 2 exam elaborations hesi nclex rn fundamentals 3 exam elaborations hesi rn fundamentals practice exam 4 exam elaborations rn hesi exit exam 5 exam elaborations hesi rn exit exam show more ati fundamentals proctored

testbankati providing nursing ati and test bank of latest edition - Nov 05 2022

web testbankati provides a variety of exam materials such as test banks solution manuals case solutions and lecture notes which professors use for class test midterm and final exams our test bank and solution manuals can save your time and ensure your a grade in exams

[ati fundamentals proctored exam test bank](#) - Jul 01 2022

web download ati fundamentals proctored exam test bank latest updated and more nursing exams in pdf only on docsity nursing exam ati fundamentals proctored exam test bank latest updated ati fundamentals proctored exam test bank 2021 2022 l a nurse is caring for a client who has left lower

nursing school resources for students ati ati testing - Feb 08 2023

web teas exam prep ati teas exam learn more about the structure of the teas what to expect view faqs and more learn more ati teas comprehensive study package our most comprehensive teas preparation package includes a self directed tutorial two online practice exams and a robust study manual learn more ati teas smartprep tutorial

ati fundamentals proctored exam 2022 2023 test bank - Apr 29 2022

web ati fundamentals proctored exam 2022 2023 test bank the product comes with a sample to review pages instant download

[real ati fundamentals proctored test bank 100 new ati](#) - Mar 29 2022

web feb 25 2023 ati compressive exit exam test bank the ati fundamentals proctored exam is a comprehensive exam that covers the skills required for a successful career in information technology

proved ati fundamentals proctored exam test bank 2020 to - Feb 25 2022

web mar 14 2023 the ati fundamentals proctored exam test bank 2020 2021 or the assessment technologies institute exam is a standardized test used to evaluate the academic performance of nursing

fundamentals final test bank flashcards quizlet - Jul 13 2023

web 1 75 flashcards learn test match q chat created by vivimarie310 students also viewed 1st semester fundamentals final

exam test bank questions 150 terms nur2021 preview 216 terms bianca14 preview terms in this set 75

[ethnic american literature syllabus interminable rambling](#) - May 28 2023

web this class will read us ethnic novels and short stories of the last twenty years to conceptualize the shifting categories of race and ethnicity paired with critical and

[american ethnic literature syllabus high school english pdf](#) - Feb 10 2022

web american ethnic literature syllabus high school english a nation of nations the construction of ethnicity in modern american literature 1900 1945 encyclopedia of

american ethnic literature syllabus high school english pdf - Nov 09 2021

web american ethnic literature syllabus high school english 1 4 downloaded from uniport edu ng on august 17 2023 by guest american ethnic literature syllabus high

[multi ethnic literature of the u s syllabus hc 41023](#) - Dec 23 2022

web in this course students will tackle challenging materials to explore how ethnic writing has changed american culture this image is in the public domain download course

[english 11 american literature course syllabus excel high](#) - Feb 22 2023

web engh 352 topics in ethnic american literature instructor bio amal amireh also teaching engh 665 001 middle east literature 04 30 pm to 07 10 pm w engh 352

american literature syllabus teaching resources tpt - May 16 2022

web jun 28 2023 this american ethnic literature syllabus high school english but end going on in harmful downloads rather than enjoying a good book like a mug of coffee in

[pdf american ethnic literature syllabus high school english](#) - Oct 21 2022

web course description this course emphasizes skills and strategies for independent reading of analyzing and writing about works of american literature with a focus on

[american ethnic literature syllabus high school english 2022](#) - Jan 12 2022

web american ethnic literature syllabus high school english american curriculum high school american ethnic literature syllabus high school english ms angela

[syllabus ethnic literature in america mit opencourseware](#) - Jun 28 2023

web aug 6 2020 i m teaching an ethnic american literature class this fall and the texts that i have chosen to teach this semester come as usual from partly my own desire to expand

syllabus for 11th grade english american literature 2016 2017 - Jul 18 2022

web this american ethnic literature syllabus high school english as one of the most functioning sellers here will

unconditionally be in the course of the best options to review

[the expanding canon teaching multicultural literature in high](#) - Aug 19 2022

web aug 8 2016 this is an on level english language arts class studying american literature through novels short stories plays poetry essays and historical text also

american ethnic literature syllabus high school english pdf - Apr 14 2022

web may 13 2023 american ethnic literature syllabus high school english 1 4 downloaded from uniport edu ng on may 13 2023 by guest american ethnic literature syllabus

american ethnic literature syllabus high school english - Oct 09 2021

american ethnic literature syllabus high school english pdf - Jun 16 2022

web this product is included in the high school english syllabus bundle all four grade levels for only 3 99 included in this product one cp english iii syllabus one honors

american ethnic literature syllabus high school english pdf - Mar 14 2022

web apr 21 2023 american ethnic literature syllabus high school english 1 5 downloaded from uniport edu ng on april 21 2023 by guest american ethnic literature syllabus

engl 385 american ethnic literature kansas state university - Jul 30 2023

web frederick douglass using fiction autobiography drama and even some poetry and song this course explores the connections between ethnic identity literature and culture in

[ethnic literature in america literature mit opencourseware](#) - Nov 21 2022

web american ethnic literature syllabus high school english academic vocabulary in middle and high school jul 29 2021 in order to succeed in school and beyond

english engh 352 topics in ethnic american literature - Jan 24 2023

web syllabus for a course on multi ethnic u s literature from the 20th and 21st centuries at the college of the holy cross in spring 2021 class was taught via zoom due to the covid

[21st century ethnic american literature department of english](#) - Apr 26 2023

web american literature is a rich and vast study that incorporates multiple skills and pensive involvement due to the dialectic nature of the course students will examine their thoughts

english 11 american literature course syllabus - Aug 31 2023

web sep 12 2017 students will focus on the major literary forms of the emerging nation analyze the literary themes and trends and research and compose several papers

american literature syllabus 19 20 scholeacademy com - Mar 26 2023

web description dedicated to creating effective and adaptable readers and writers american literature builds on the previous foundational excel high school english courses this

american ethnic literature syllabus high school english - Dec 11 2021

web american ethnic literature syllabus high school english 2 6 downloaded from uniport edu ng on march 21 2023 by guest linguistics and language behavior abstracts

american literature 1 2 course syllabus sharpschool - Sep 19 2022

web this professional development workshop for high school teachers is an exploration of the richness of multicultural literature shown through four pedagogical approaches to

invitation letter visa management service italy vms ru - Aug 03 2022

web applicants must submit an formal invitation letter from the italian company or from the italian branch of a multinational company the invitation letter needs to include the company s number of the certificate of registration with the italian chamber of commerce and the following information

italy tourist visa appication and requirements for tourism - Feb 09 2023

web italy tourist visa guidelines and application process of the tourist and visitor visa for italy the required documents eligibility and faqs visaguide europe italy visa tourist visa

invitation letter for schengen visa letter of invitation for visa - Aug 15 2023

web what is an invitation letter for visa a visa invitation letter is a written letter from the person you are visiting who lives in the schengen country you want to go to the person you are visiting is inviting you to stay with them and by default they guarantee that you will not stay in the country illegally

italy tourist visitor visa requirements and application process - Apr 11 2023

web here are the required documents you need to apply for a visitor tourist visa to italy italy visa application form fully completed with the correct information printed and signed at the end two recent photos taken within the last three months in compliance with the schengen visa photo criteria valid passport

visa information 17th world congress on public health rome - Jul 02 2022

web if an entry visa is required please allow sufficient time for this procedure to facilitate your tourist visa request an invitation letter can be downloaded you do not need to request a business visa please be sure to ask for a tourist visa

visa invitation letter to invite a friend to italy - Jan 08 2023

web want to invite a friend to italy and need a visa invitation letter to invite a friend to italy learn how to write one and download sample visa letters here

[do i need an invitation letter to enter italy your travel to italy](#) - Mar 10 2023

web sep 27 2022 if you are staying at a friend s house or rented a house in italy yes you will need an invitation letter stay with us because you will find a letter template right here by ana patricia last updated sep 27 2022 do i need an invitation letter to enter italy italy is one of the most visited countries in the world

[visa invitation letter for italian visa sample visa letters](#) - May 12 2023

web want to invite someone to italy and need a visa invitation letter for italian visa learn how to write one and download sample visa letters here

checklist for official invitation vfs global - Apr 30 2022

web document must be in english or in italian language must be issued by airline or travel agency must report full name of applicant as per passport 5 authority and invitation letter letter from the thai authority confirming that the applicant is a member of an official delegation copy of the official invitation from italy 6

italian invitation letters sample visa sponsor letters for italy visa - Jul 14 2023

web a visa invitation letter for an italian is a letter that the applicant has to submit to the italian embassy or consulate where they are applying for a visitor visa and needs to be addressed either to the applicant or to the consular officer confirming that they will accommodate the applicant in their home for the whole period of their stay in

vfsglobal vfsglobal - Oct 05 2022

web vfsglobal vfsglobal loading

invitation letters for visa application italy forum tripadvisor - Dec 07 2022

web aug 28 2023 they list a few options including hotel reservations etc or letter of invitation if you have been invited to stay in italy with an italian citizen or a foreigner who reside in italy since i have friends in italy i am going to get one of them write me the invitation letter

invitation letter tourist visa to italy bing pdf free - Mar 30 2022

web invitation letter tourist visa to italy bing pdf pages 2 5 invitation letter tourist visa to italy bing pdf upload donald o hayda 2 5 downloaded from networks kualumni org on september 8 2023 by donald o hayda post cinema dominique chateau 2020 09 24 post cinema designates a new way of making films it is time to ask whether this

invitation letter tourist visa to italy bing secure4 khronos - Feb 26 2022

web jun 19 2023 invitation letter tourist visa to italy bing books that will find the money for you worth get the categorically best seller from us at presentfrom several preferred authors along with guides you could indulge in the present is invitation letter tourist visa to italy bing below thats something that will lead you to apprehend

the tourism invitation letter insurance italy - Jun 13 2023

web 10 05 2021 if a foreigner residing in italy or an italian citizen wants to invite their foreign friends or relatives to their home they must make a declaration called an invitation letter this document must indicate who will take care of food accommodation or any medical treatment as well as ensuring the return home of the host in italy

visa information vfs global - Sep 04 2022

web fully booked hotel reservation or original invitation letter from your host in italy for a template click here the invitation letter must be addressed to the italian consulate dated and duly signed together with a photocopy of the host id passport in the photocopy must appear also the signature of the holder

italy visa entry requirements how to apply for a visa to italy - Nov 06 2022

web covering letter from italian the inviting company the letter should indicate your name and designation travel dates itinerary duration of stay details of the trip s sponsor the purpose of the visit and be signed by an authorized person registration certificate of the inviting company a letter from your employer in this letter should

invitation letter tourist visa to italy bing 2022 analytics - Jun 01 2022

web 4 invitation letter tourist visa to italy bing 2022 01 13 everything you need to know about entry requirements and getting around as well as insightful information on the history and culture of the once nomadic kyrgyz people join laurence mitchell on an adventure through isolated silk road villages vast walnut forests and rocky

invitation letter tourist visa to italy bing - Jan 28 2022

web invitation letter tourist visa to italy bing a comprehensive guide to the us student visa aug 15 2022 1 do you want to study in america but do not know the in and out of the us student visa procedure 2 have you never faced a us visa interview or have been rejected at the visa interview 3 are you tired paying a 100 usd for a

invitation letter tourist visa to italy bing - Dec 27 2021

web to download and install invitation letter tourist visa to italy bing in view of that simple urban tourism and urban change costas spirou 2011 01 13 urban tourism and urban change cities in a global economy provides both a sociological cultural analysis of change that has taken place in many of the world s cities this focused treatment of