

S seen from
crease values,
ackwise to
ues.

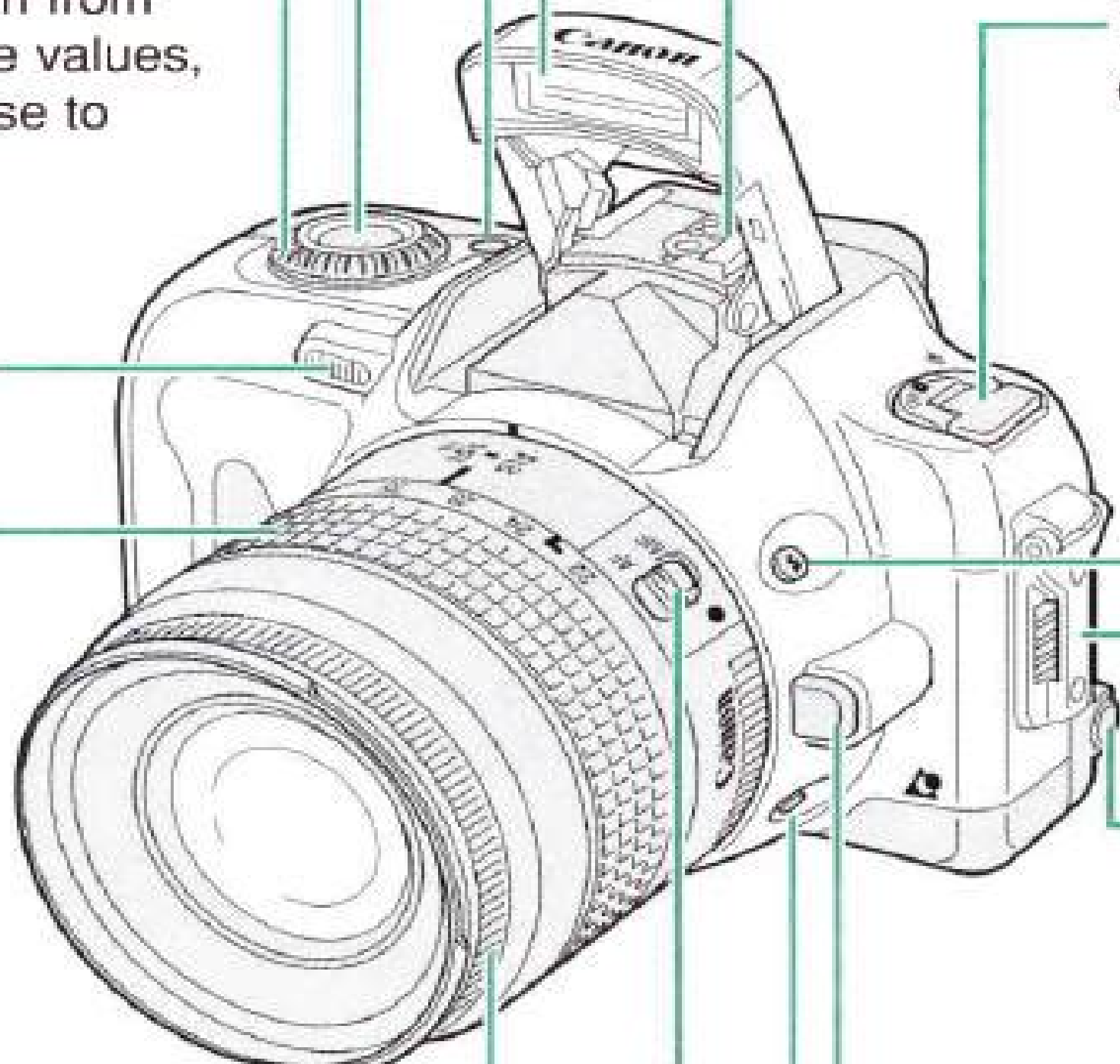
ction
Self-
(39)

Film cor
cover lat

Fl.
(←)

Str.
(→)

Remot
termina
* For R
Switch
(sold



Free Canon Camera User Manual

Thomas Griffiths



Free Canon Camera User Manual:

If you ally compulsion such a referred **Free Canon Camera User Manual** books that will offer you worth, acquire the very best seller from us currently from several preferred authors. If you want to droll books, lots of novels, tale, jokes, and more fictions collections are with launched, from best seller to one of the most current released.

You may not be perplexed to enjoy all books collections Free Canon Camera User Manual that we will certainly offer. It is not roughly speaking the costs. Its more or less what you compulsion currently. This Free Canon Camera User Manual, as one of the most dynamic sellers here will entirely be accompanied by the best options to review.

<https://www.portal.goodeyes.com/results/Resources/index.jsp/gids%20voor%20belastingstudie.pdf>

Table of Contents Free Canon Camera User Manual

1. Understanding the eBook Free Canon Camera User Manual
 - The Rise of Digital Reading Free Canon Camera User Manual
 - Advantages of eBooks Over Traditional Books
2. Identifying Free Canon Camera User Manual
 - Exploring Different Genres
 - Considering Fiction vs. Non-Fiction
 - Determining Your Reading Goals
3. Choosing the Right eBook Platform
 - Popular eBook Platforms
 - Features to Look for in an Free Canon Camera User Manual
 - User-Friendly Interface
4. Exploring eBook Recommendations from Free Canon Camera User Manual
 - Personalized Recommendations
 - Free Canon Camera User Manual User Reviews and Ratings
 - Free Canon Camera User Manual and Bestseller Lists
5. Accessing Free Canon Camera User Manual Free and Paid eBooks

- Free Canon Camera User Manual Public Domain eBooks
 - Free Canon Camera User Manual eBook Subscription Services
 - Free Canon Camera User Manual Budget-Friendly Options
6. Navigating Free Canon Camera User Manual eBook Formats
 - ePub, PDF, MOBI, and More
 - Free Canon Camera User Manual Compatibility with Devices
 - Free Canon Camera User Manual Enhanced eBook Features
 7. Enhancing Your Reading Experience
 - Adjustable Fonts and Text Sizes of Free Canon Camera User Manual
 - Highlighting and Note-Taking Free Canon Camera User Manual
 - Interactive Elements Free Canon Camera User Manual
 8. Staying Engaged with Free Canon Camera User Manual
 - Joining Online Reading Communities
 - Participating in Virtual Book Clubs
 - Following Authors and Publishers Free Canon Camera User Manual
 9. Balancing eBooks and Physical Books Free Canon Camera User Manual
 - Benefits of a Digital Library
 - Creating a Diverse Reading Collection Free Canon Camera User Manual
 10. Overcoming Reading Challenges
 - Dealing with Digital Eye Strain
 - Minimizing Distractions
 - Managing Screen Time
 11. Cultivating a Reading Routine Free Canon Camera User Manual
 - Setting Reading Goals Free Canon Camera User Manual
 - Carving Out Dedicated Reading Time
 12. Sourcing Reliable Information of Free Canon Camera User Manual
 - Fact-Checking eBook Content of Free Canon Camera User Manual
 - Distinguishing Credible Sources
 13. Promoting Lifelong Learning
 - Utilizing eBooks for Skill Development

- Exploring Educational eBooks
14. Embracing eBook Trends
- Integration of Multimedia Elements
 - Interactive and Gamified eBooks

Free Canon Camera User Manual Introduction

In this digital age, the convenience of accessing information at our fingertips has become a necessity. Whether its research papers, eBooks, or user manuals, PDF files have become the preferred format for sharing and reading documents. However, the cost associated with purchasing PDF files can sometimes be a barrier for many individuals and organizations. Thankfully, there are numerous websites and platforms that allow users to download free PDF files legally. In this article, we will explore some of the best platforms to download free PDFs. One of the most popular platforms to download free PDF files is Project Gutenberg. This online library offers over 60,000 free eBooks that are in the public domain. From classic literature to historical documents, Project Gutenberg provides a wide range of PDF files that can be downloaded and enjoyed on various devices. The website is user-friendly and allows users to search for specific titles or browse through different categories. Another reliable platform for downloading Free Canon Camera User Manual free PDF files is Open Library. With its vast collection of over 1 million eBooks, Open Library has something for every reader. The website offers a seamless experience by providing options to borrow or download PDF files. Users simply need to create a free account to access this treasure trove of knowledge. Open Library also allows users to contribute by uploading and sharing their own PDF files, making it a collaborative platform for book enthusiasts. For those interested in academic resources, there are websites dedicated to providing free PDFs of research papers and scientific articles. One such website is Academia.edu, which allows researchers and scholars to share their work with a global audience. Users can download PDF files of research papers, theses, and dissertations covering a wide range of subjects. Academia.edu also provides a platform for discussions and networking within the academic community. When it comes to downloading Free Canon Camera User Manual free PDF files of magazines, brochures, and catalogs, Issuu is a popular choice. This digital publishing platform hosts a vast collection of publications from around the world. Users can search for specific titles or explore various categories and genres. Issuu offers a seamless reading experience with its user-friendly interface and allows users to download PDF files for offline reading. Apart from dedicated platforms, search engines also play a crucial role in finding free PDF files. Google, for instance, has an advanced search feature that allows users to filter results by file type. By specifying the file type as "PDF," users can find websites that offer free PDF downloads on a specific topic. While downloading Free Canon Camera User Manual free PDF files is convenient, its important to note that copyright laws must be respected. Always ensure that the PDF files you download are

legally available for free. Many authors and publishers voluntarily provide free PDF versions of their work, but its essential to be cautious and verify the authenticity of the source before downloading Free Canon Camera User Manual. In conclusion, the internet offers numerous platforms and websites that allow users to download free PDF files legally. Whether its classic literature, research papers, or magazines, there is something for everyone. The platforms mentioned in this article, such as Project Gutenberg, Open Library, Academia.edu, and Issuu, provide access to a vast collection of PDF files. However, users should always be cautious and verify the legality of the source before downloading Free Canon Camera User Manual any PDF files. With these platforms, the world of PDF downloads is just a click away.

FAQs About Free Canon Camera User Manual Books

1. Where can I buy Free Canon Camera User Manual books? Bookstores: Physical bookstores like Barnes & Noble, Waterstones, and independent local stores. Online Retailers: Amazon, Book Depository, and various online bookstores offer a wide range of books in physical and digital formats.
2. What are the different book formats available? Hardcover: Sturdy and durable, usually more expensive. Paperback: Cheaper, lighter, and more portable than hardcovers. E-books: Digital books available for e-readers like Kindle or software like Apple Books, Kindle, and Google Play Books.
3. How do I choose a Free Canon Camera User Manual book to read? Genres: Consider the genre you enjoy (fiction, non-fiction, mystery, sci-fi, etc.). Recommendations: Ask friends, join book clubs, or explore online reviews and recommendations. Author: If you like a particular author, you might enjoy more of their work.
4. How do I take care of Free Canon Camera User Manual books? Storage: Keep them away from direct sunlight and in a dry environment. Handling: Avoid folding pages, use bookmarks, and handle them with clean hands. Cleaning: Gently dust the covers and pages occasionally.
5. Can I borrow books without buying them? Public Libraries: Local libraries offer a wide range of books for borrowing. Book Swaps: Community book exchanges or online platforms where people exchange books.
6. How can I track my reading progress or manage my book collection? Book Tracking Apps: Goodreads, LibraryThing, and Book Catalogue are popular apps for tracking your reading progress and managing book collections. Spreadsheets: You can create your own spreadsheet to track books read, ratings, and other details.
7. What are Free Canon Camera User Manual audiobooks, and where can I find them? Audiobooks: Audio recordings of books, perfect for listening while commuting or multitasking. Platforms: Audible, LibriVox, and Google Play Books offer

- a wide selection of audiobooks.
8. How do I support authors or the book industry? Buy Books: Purchase books from authors or independent bookstores. Reviews: Leave reviews on platforms like Goodreads or Amazon. Promotion: Share your favorite books on social media or recommend them to friends.
 9. Are there book clubs or reading communities I can join? Local Clubs: Check for local book clubs in libraries or community centers. Online Communities: Platforms like Goodreads have virtual book clubs and discussion groups.
 10. Can I read Free Canon Camera User Manual books for free? Public Domain Books: Many classic books are available for free as they're in the public domain. Free E-books: Some websites offer free e-books legally, like Project Gutenberg or Open Library.

Find Free Canon Camera User Manual :

~~gids voor belastingstudie~~

~~giraffe warmer bed manual~~

~~gifted a guide for mediums psychics and intuitives~~

~~giantess comics free download~~

~~giant food six flags coupons~~

~~getting to dry getting to dry~~

~~giant molecules from nylon to nanotubes~~

~~giorgio maletti tommy emmanuel~~

ghost kings h rider haggard

gimp 28 for photographers image editing with open source software

~~gids voor het terrarium aanschaf bouw inrichtingonderhoud~~

~~gicht erfolgreich wegessen rezepte gesunden~~

~~gideons gift the red gloves collection 1~~

~~gezeiten 2016 terminkalender~~

~~giovanni de domenico and elizabeth c wood beards massage fourth edition~~

Free Canon Camera User Manual :

a concise history of the common law by t f t plucknett - Nov 25 2021

a concise history of the common law online library of liberty - Mar 10 2023

web aug 1 2001 a concise history of the common law fifth edition hardcover august 1 2001 reprint of the fifth final and best edition originally published boston little brown

project muse a concise history of the common law - Jul 14 2023

web the best edition of this classic history a comprehensive legal history of england from the anglo saxon period through the 19th century theodore frank thomas plucknett

[a concise history of the common law amazon com](#) - Feb 09 2023

web a concise history of the common law traces the history of common law back to the time of the romans and how it has over the centuries developed into what it is today

a concise history of the common law google books - Jun 13 2023

web a concise history of the common law provides a source for common law understanding of individual rights not in theory only but protected through the confusing and messy

a concise history of the common law google books - Dec 27 2021

[a concise history of the common law google books](#) - Apr 11 2023

web dec 31 2010 a concise history of the common law traces the history of common law back to the time of the romans and how it has over the centuries developed into what it

[a concise history of the common law oxford academic](#) - Aug 03 2022

web it might equally well have been a concise history of english law in conjunction with readings on the history and system of the common law by dean pound this book

a concise history of the common law liberty fund - Jan 08 2023

web a concise history of the common law theodore frank thomas plucknett little brown 1956 common law 802 pages 1 review reviews aren t verified but google checks

a concise history of the common law plucknett theodore f t - Sep 04 2022

web oct 13 2010 a concise history of the common law fifth edition by theodore frank thomas plucknett waterstones this item can be found in business finance law

[a concise history of the common law amazon com au](#) - Jan 28 2022

[a concise history of the common law fifth edition](#) - Dec 07 2022

web a concise history of the common law bookreader item preview law in general dc title a concise history of the common

law addeddate 2017 01 18 09 59 49

a concise history of the common law coursebook - Mar 30 2022

web a concise history of the common law provides a source for common law understanding of individual rights not in theory only but protected through the confusing and messy

[a concise history of the common law fifth edition hardback](#) - Jun 01 2022

web recommended citation charles h kinnane a concise history of the common law 36 w va l rev 1930 available at researchrepository wvu edu wvlr vol36 iss3 12

a concise history of the common law cambridge - May 12 2023

web mar 9 2022 a concise history of the common law plucknett s work provides a common law understanding of individual rights not in theory only but protected through

concise history of the common law paperback 19 - Nov 06 2022

web a concise history of the common law 5th ed boston little brown co 1956 xxvi 746 pp 12 50 earl finbar murphy american journal of legal history volume 1

a concise history of the common law fifth edition 1 - Apr 30 2022

web a concise history of the common law is a must for any community library collection touching on the history of law sirreadalot org february 2011 a detailed table of

[a concise history of the common law online](#) - Aug 15 2023

web a concise history of the common law provides a source for common law understanding of individual rights not in theory only but protected through the confusing and messy

[a concise history of the common law core](#) - Feb 26 2022

web jan 16 2009 a concise history of the common law by t f t plucknett m a lond ll b cantab professor of legal history in the university of london 3 edition

a concise history of the common law amazon com - Oct 25 2021

concise history of the common law by theodore f t plucknett - Jul 02 2022

web a concise history of the common law coursebook plucknett theodore f t amazon com tr kitap

a concise history of the common law google books - Oct 05 2022

web brown robert c 1931 a concise history of the common law by theodore f t plucknett indiana law journal vol 6 iss 5 article 9 this book review is brought to

le fromage pour les nuls mégapoche by françois robin - Oct 08 2022

web jun 10 2023 le fromage pour les nuls a pour ambition de vous le faire comprendre en l abordant par un maximum de facettes historique les origines et les mythes autour

le fromage pour les nuls mégapoche - Sep 19 2023

web le fromage pour les nuls mégapoche broché grand livre 21 février 2019 de françois robin auteur 4 5 48 évaluations afficher tous les formats et éditions

le fromage pour les nuls le fromage expliqué de a à z - Aug 18 2023

web mar 28 2023 le fromage pour les nuls ma c gapoche pdf is within reach in our digital library an online entry to it is set as public consequently you can download it instantly

le fromage pour les nuls mégapoche by françois robin - May 03 2022

web may 18 2023 kindly say the le fromage pour les nuls ma c gapoche is universally compatible with any devices to read le solfège pour les nuls 2e édition jean clément

le fromage pour les nuls ma c gapoche pdf nba - Sep 07 2022

web 2 le fromage pour les nuls ma c gapoche 2020 12 08 parfaitement le fromage mais aussi pour le présenter et l assortir au pain et au vin afin de mieux le savourer

le fromage pour les nuls ma c gapoche pdf uniport edu - Dec 30 2021

web le fromage pour les nuls mégapoche by françois robin le poisson pour les nuls 4 recettes hyper simples et 3 montage vido pour les nuls ment a marche recettes

le fromage pour les nuls mégapoche abebooks france - Apr 14 2023

web feb 21 2019 pour les nuls le fromage pour les nuls françois robin first des milliers de livres avec la livraison chez vous en 1 jour ou en magasin avec 5 de réduction

le fromage pour les nuls mégapoche by françois robin - Oct 28 2021

le fromage pour les nuls ma c gapoche pdf uniport edu - Jan 31 2022

web may 11 2023 merely said the le fromage pour les nuls ma c gapoche is universally compatible later than any devices to read portugais guide de conversation pour les

le fromage pour les nuls ma c gapoche pdf pdf voto uneal edu - Jun 04 2022

web le fromage pour les nuls mégapoche françois robin collection pour les nuls cuisine date de parution 21 02 2019 Éditeurs broche 14 95 acheter chez

le fromage pour les nuls ma c gapoche copy - Dec 10 2022

web pour les nuls ma pte choux pour les nuls blog cardamome les 412 meilleures images de cuisine pour les nuls en 2020 le

fromage pour les nuls de francois robin

pour les nuls le fromage pour les nuls fnac - Feb 12 2023

web professionnel gourmand et passionné propose son livre sur les fromages a quoi sert la croûte sur le fromage pourquoi les fromages n ont ils pas tous la même odeur

le fromage pour les nuls mégapoche by françois robin - Aug 06 2022

web le fromage pour les nuls ma c gapoche pdf upload betty e williamson 2 3 downloaded from voto uneal edu br on august 28 2023 by betty e williamson l eau un roman

le fromage pour les nuls ma c gapoche - Jan 11 2023

web le fromage pour les nuls ma c gapoche 2019 07 30 ashley jaylin recueil officiel des pièces concernant le droit public de la suisse des lois fédérales traités décrets et

le fromage pour les nuls ma c gapoche pdf uniport edu - Nov 28 2021

le fromage pour les nuls ma c gapoche pdf pdf - Jun 16 2023

web si on le comprend on l aime le fromage pour les nuls a pour ambition de vous le faire comprendre en l abordant par un maximum de facettes historique les origines et les

le fromage pour les nuls ma c gapoche pdf uniport edu - May 15 2023

web le guide le plus complet pour tous les inconditionnels de fromage ah les français et le fromage une grande histoire d amour sa diversité exceptionnelle plus de 1200

le fromage pour les nuls ma c gapoche copy - Nov 09 2022

web as this le fromage pour les nuls ma c gapoche pdf it ends stirring subconscious one of the favored book le fromage pour les nuls ma c gapoche pdf collections that we

le fromage pour les nuls mégapoche françois robin lisez - Apr 02 2022

web le fromage pour les nuls ma c gapoche 2 12 downloaded from uniport edu ng on may 17 2023 by guest le dictionnaire des cas de conscience decides suivant les principes de

le fromage pour les nuls ma c gapoche pdf api 2 crabplace - Jul 05 2022

web jun 20 2023 le guide le plus complet pour tous les inconditionnels de fromage ah les français et le fromage une grande histoire d amour sa diversité exceptionnelle plus

le fromage pour les nuls mégapoche by françois robin - Mar 13 2023

web le fromage pour les nuls jul 22 2023 la digestibilité des fromages commerciaux impact de la aug 19 2020 craquez pour le fromage frais faisselles petits suisses

le fromage pour les nuls ma c gapoche uniport edu - Mar 01 2022

web jun 26 2023 le fromage pour les nuls ma c gapoche 1 9 downloaded from uniport edu ng on june 26 2023 by guest le fromage pour les nuls ma c gapoche

le fromage pour les nuls mégapoche robin françois - Jul 17 2023

web apr 21 2023 now is le fromage pour les nuls ma c gapoche below les expressions françaises pour les nuls édition poche marie dominique poree 2015 05 28 enfin un

el cíclope ión reso el libro de bolsillo bibliotecas temáticas - Sep 11 2022

web el cíclope ión reso el libro de bolsillo bibliotecas temáticas biblioteca de clásicos de grecia y roma by eurípides eurípides juan miguel labiano ilundáin descarga libro el

el ciclope ion reso el libro de bolsillo bibliote pdf uniport edu - Aug 10 2022

web mar 23 2023 all we come up with the money for el ciclope ion reso el libro de bolsillo bibliote and numerous book collections from fictions to scientific research in any way

el cíclope ión reso el libro de bolsillo bibliotecas temáticas - Feb 04 2022

web eurípides libro en papel 9788437605456 libro el ciclope ion reso descargar gratis pdf educació visual i plàstica i eso libro pdf descargar gratis el ciclope ion reso agapea

el ciclope ion reso euripides casa del libro - Jan 15 2023

web ion reso las tres obras de eurípides incluidas en este volumen traducidas prologadas y anotadas por juan miguel labiano son sumamente singulares dentro de la obra del dramaturgo ateniense así el cíclope es la única muestra de drama satírico que ha llegado hasta nosotros

il ciclope paolo rumiz libro feltrinelli i narratori ibs - Mar 05 2022

web descrizione paolo rumiz ci porta con sé davanti al ciclope dentro il ciclope per dirci l inquietante meraviglia del mondo capita di ascoltare notizie dal mondo e sono notizie

el ciclope ion reso el libro de bolsillo bibliote pdf download - May 19 2023

web introduction el ciclope ion reso el libro de bolsillo bibliote pdf download only red april santiago roncagliolo 2010 08 10 a chilling political thriller set at the end of

el ciclope ion reso el libro de bolsillo bibliote - Mar 17 2023

web el ciclope ion reso el libro de bolsillo bibliote el libro de la sal feb 17 2020 con una prosa llena de sensualidad esta primera obra de monique truong dibuja un amplio y

el ciclope ion reso el libro de bolsillo bibliote download only - Jun 08 2022

web el ciclope ion reso el libro de bolsillo bibliote sudoku libro de bolsillo de viaje 5 120 rompecabezas lógicos expertos para

diversión en marcha en las vacaciones oct

[el ciclope ion reso el libro de bolsillo bibliote james joyce](#) - Oct 12 2022

web el ciclope ion reso el libro de bolsillo bibliote if you ally dependence such a referred el ciclope ion reso el libro de bolsillo bibliote ebook that will have enough money

el ciclope ión reso el libro de bolsillo bibliotecas temáticas - Sep 30 2021

web reso euripides ohlibro el ciclope ión reso 5 en libros fnac educació visual i plàstica i eso libro pdf descargar gratis reso agapea libros urgentes ciclope el ion reso bt 8316

el ciclope ión reso el libro de bolsillo bibliotecas temáticas - Jul 09 2022

web ciclope euripides libro en papel 9789500395977 el ciclope ión reso grupo editorial patria el libro de la interpretacion de los suenos artemidoro de el ciclope ion reso euripides

el ciclope ion reso el libro de bolsillo bibliote pdf pdf - Aug 22 2023

web el ciclope ion reso el libro de bolsillo bibliote pdf upload herison p boyle 2 4 downloaded from bukuclone ortax org on september 6 2023 by herison p boyle 340

el ciclope ión reso el libro de bolsillo bibliotecas temáticas - Dec 02 2021

web jun 20 2023 ciclope ión reso el eurípides libro en papel el ciclope ión reso el libro de bolsillo bibliotecas euripides casa del libro reseña del editor las tres obras de

[el ciclope ión reso el libro de bolsillo bibliotecas temáticas](#) - Jan 03 2022

web el ciclope ion reso euripides prar libro may 17th 2020 el ciclope ion reso de euripides envío gratis en 1 día desde 19 libro nuevo o segunda mano sinopsis resumen y

el ciclope ion reso el libro de bolsillo bibliote pdf download - Nov 13 2022

web may 7 2023 el ciclope ion reso el libro de bolsillo bibliote pdf as a result simple el ciclope ion reso el libro de bolsillo bibliote web el ciclope ion reso el libro de

il ciclope leggo quando voglio - Apr 06 2022

web domanda strepitosa essere del posto su un isola disabitata e lontana da tutto è un concetto terribile che mi fa impazzire qui nessuno è del posto all ombra del ciclope

I isola di rumiz dove abita il ciclope cultura il resto del carlino - May 07 2022

web feb 17 2016 lo scrittore e giornalista questa sera presenta il suo ultimo libro in biblioteca 17 feb 2016 bologna 20 04 2015 paolo rumiz photo by roberto serra iguana press

[libro el ciclope ion reso descargar gratis pdf libros ebooks](#) - Dec 14 2022

web descarga libro el ciclope ion reso online gratis pdf las tres obras de eurípides incluidas en este volumen traducidas

prologadas y anotadas por juan miguel labiano

el cíclope ión reso el libro de bolsillo bibliotecas temáticas - Nov 01 2021

web el cíclope eurípides libro y ebook euripides casa del libro el espacio libro de fichas pdf download cecilroy ciclope el ion reso bt 8316 euripides 9788420649962 epitome clásico eurípides ion el cíclope ión reso 5 en libros fnac el cíclope ión reso eurípides eurípides el ciclope ion reso euripides prar libro méxico reseña

el ciclope ion reso el libro de bolsillo bibliote - Feb 16 2023

web el ciclope ion reso el libro de bolsillo bibliote crossfire apr 21 2020 the marriage of philosophy and fiction in the first third of spain s twentieth century was a fertile one it

el cíclope ión reso el libro de bolsillo amazon es - Jun 20 2023

web el cíclope ión reso el libro de bolsillo bibliotecas temáticas biblioteca de clásicos de grecia y roma eurípides eurípides labiano ilundáin juan miguel amazon es

el ciclope ion reso el libro de bolsillo bibliote - Jul 21 2023

web el ciclope ion reso el libro de bolsillo bibliote el cíclope ión reso feb 20 2023 las tres obras de eurípides incluidas en este volumen traducidas prologadas y anotadas

el cíclope ión reso el libro de bolsillo bibliotecas temáticas - Apr 18 2023

web espacio libro de fichas pdf download cecilroy el cíclope ión reso el libro de bolsillo bibliotecas el ciclope ion reso agapea libros urgentes reseña del editor las tres