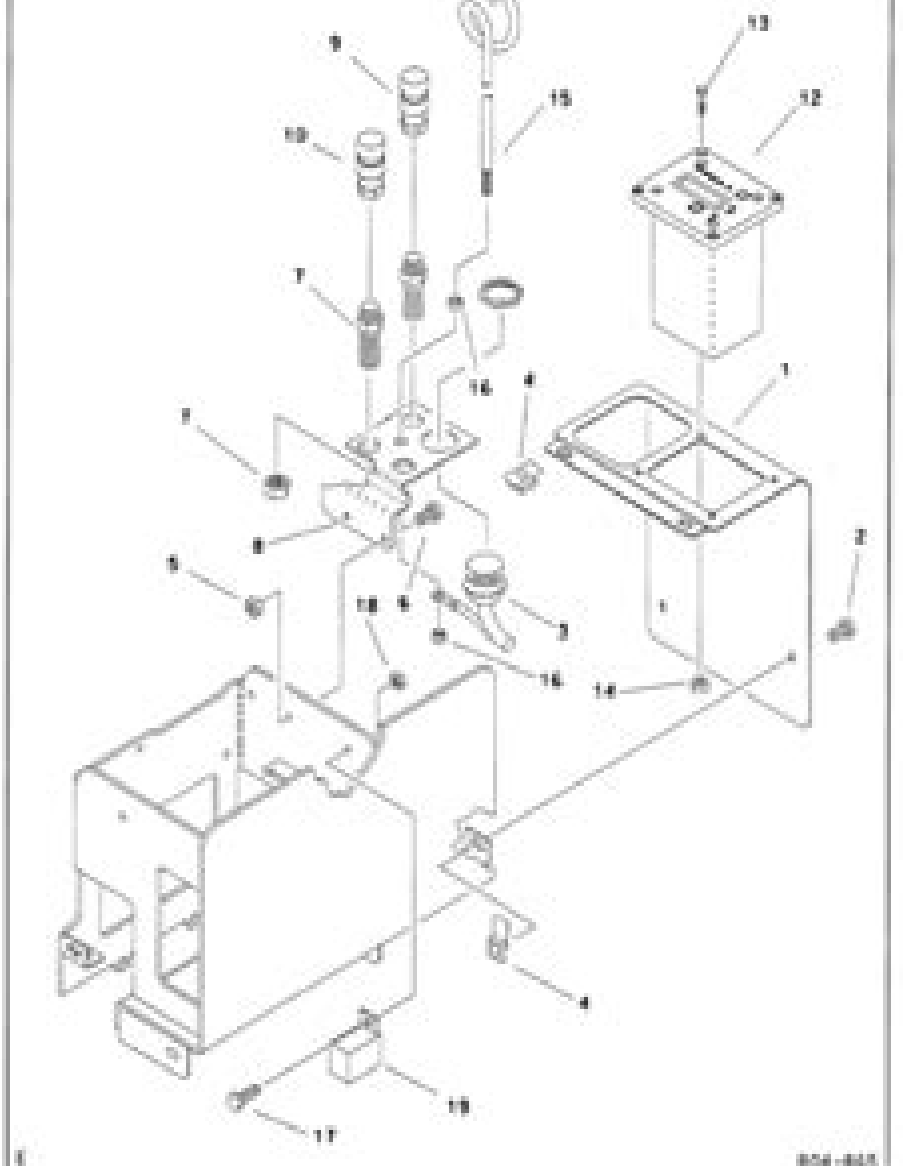


Page Thumbnails



LEFT COVER PANEL



Ditch Witch 1010 Parts Manual

CL Gary



Ditch Witch 1010 Parts Manual:

The Top Books of the Year Ditch Witch 1010 Parts Manual The year 2023 has witnessed a remarkable surge in literary brilliance, with numerous captivating novels enthraling the hearts of readers worldwide. Lets delve into the realm of popular books, exploring the fascinating narratives that have enthralled audiences this year. The Must-Read : Colleen Hoover's "It Ends with Us" This heartfelt tale of love, loss, and resilience has captivated readers with its raw and emotional exploration of domestic abuse. Hoover expertly weaves a story of hope and healing, reminding us that even in the darkest of times, the human spirit can triumph. Ditch Witch 1010 Parts Manual : Taylor Jenkins Reids "The Seven Husbands of Evelyn Hugo" This captivating historical fiction novel unravels the life of Evelyn Hugo, a Hollywood icon who defies expectations and societal norms to pursue her dreams. Reids captivating storytelling and compelling characters transport readers to a bygone era, immersing them in a world of glamour, ambition, and self-discovery. Ditch Witch 1010 Parts Manual : Delia Owens "Where the Crawdads Sing" This captivating coming-of-age story follows Kya Clark, a young woman who grows up alone in the marshes of North Carolina. Owens spins a tale of resilience, survival, and the transformative power of nature, captivating readers with its evocative prose and mesmerizing setting. These popular novels represent just a fraction of the literary treasures that have emerged in 2023. Whether you seek tales of romance, adventure, or personal growth, the world of literature offers an abundance of engaging stories waiting to be discovered. The novel begins with Richard Papen, a bright but troubled young man, arriving at Hampden College. Richard is immediately drawn to the group of students who call themselves the Classics Club. The club is led by Henry Winter, a brilliant and charismatic young man. Henry is obsessed with Greek mythology and philosophy, and he quickly draws Richard into his world. The other members of the Classics Club are equally as fascinating. Bunny Corcoran is a wealthy and spoiled young man who is always looking for a good time. Charles Tavis is a quiet and reserved young man who is deeply in love with Henry. Camilla Macaulay is a beautiful and intelligent young woman who is drawn to the power and danger of the Classics Club. The students are all deeply in love with Morrow, and they are willing to do anything to please him. Morrow is a complex and mysterious figure, and he seems to be manipulating the students for his own purposes. As the students become more involved with Morrow, they begin to commit increasingly dangerous acts. The Secret History is a brilliant and suspenseful novel that will keep you speculating until the very end. The novel is a cautionary tale about the dangers of obsession and the power of evil.

https://www.portal.goodeyes.com/public/virtual-library/Download_PDFS/eclipse%20the%20priestess%20trilogy%20book%203.pdf

Table of Contents Ditch Witch 1010 Parts Manual

1. Understanding the eBook Ditch Witch 1010 Parts Manual
 - The Rise of Digital Reading Ditch Witch 1010 Parts Manual
 - Advantages of eBooks Over Traditional Books
2. Identifying Ditch Witch 1010 Parts Manual
 - Exploring Different Genres
 - Considering Fiction vs. Non-Fiction
 - Determining Your Reading Goals
3. Choosing the Right eBook Platform
 - Popular eBook Platforms
 - Features to Look for in an Ditch Witch 1010 Parts Manual
 - User-Friendly Interface
4. Exploring eBook Recommendations from Ditch Witch 1010 Parts Manual
 - Personalized Recommendations
 - Ditch Witch 1010 Parts Manual User Reviews and Ratings
 - Ditch Witch 1010 Parts Manual and Bestseller Lists
5. Accessing Ditch Witch 1010 Parts Manual Free and Paid eBooks
 - Ditch Witch 1010 Parts Manual Public Domain eBooks
 - Ditch Witch 1010 Parts Manual eBook Subscription Services
 - Ditch Witch 1010 Parts Manual Budget-Friendly Options
6. Navigating Ditch Witch 1010 Parts Manual eBook Formats
 - ePub, PDF, MOBI, and More
 - Ditch Witch 1010 Parts Manual Compatibility with Devices
 - Ditch Witch 1010 Parts Manual Enhanced eBook Features
7. Enhancing Your Reading Experience
 - Adjustable Fonts and Text Sizes of Ditch Witch 1010 Parts Manual
 - Highlighting and Note-Taking Ditch Witch 1010 Parts Manual
 - Interactive Elements Ditch Witch 1010 Parts Manual
8. Staying Engaged with Ditch Witch 1010 Parts Manual

- Joining Online Reading Communities
 - Participating in Virtual Book Clubs
 - Following Authors and Publishers Ditch Witch 1010 Parts Manual
9. Balancing eBooks and Physical Books Ditch Witch 1010 Parts Manual
- Benefits of a Digital Library
 - Creating a Diverse Reading Collection Ditch Witch 1010 Parts Manual
10. Overcoming Reading Challenges
- Dealing with Digital Eye Strain
 - Minimizing Distractions
 - Managing Screen Time
11. Cultivating a Reading Routine Ditch Witch 1010 Parts Manual
- Setting Reading Goals Ditch Witch 1010 Parts Manual
 - Carving Out Dedicated Reading Time
12. Sourcing Reliable Information of Ditch Witch 1010 Parts Manual
- Fact-Checking eBook Content of Ditch Witch 1010 Parts Manual
 - Distinguishing Credible Sources
13. Promoting Lifelong Learning
- Utilizing eBooks for Skill Development
 - Exploring Educational eBooks
14. Embracing eBook Trends
- Integration of Multimedia Elements
 - Interactive and Gamified eBooks

Ditch Witch 1010 Parts Manual Introduction

Free PDF Books and Manuals for Download: Unlocking Knowledge at Your Fingertips In today's fast-paced digital age, obtaining valuable knowledge has become easier than ever. Thanks to the internet, a vast array of books and manuals are now available for free download in PDF format. Whether you are a student, professional, or simply an avid reader, this treasure trove of downloadable resources offers a wealth of information, conveniently accessible anytime, anywhere. The advent of online libraries and platforms dedicated to sharing knowledge has revolutionized the way we consume information. No longer confined to physical libraries or bookstores, readers can now access an extensive collection of digital books and

manuals with just a few clicks. These resources, available in PDF, Microsoft Word, and PowerPoint formats, cater to a wide range of interests, including literature, technology, science, history, and much more. One notable platform where you can explore and download free Ditch Witch 1010 Parts Manual PDF books and manuals is the internet's largest free library. Hosted online, this catalog compiles a vast assortment of documents, making it a veritable goldmine of knowledge. With its easy-to-use website interface and customizable PDF generator, this platform offers a user-friendly experience, allowing individuals to effortlessly navigate and access the information they seek. The availability of free PDF books and manuals on this platform demonstrates its commitment to democratizing education and empowering individuals with the tools needed to succeed in their chosen fields. It allows anyone, regardless of their background or financial limitations, to expand their horizons and gain insights from experts in various disciplines. One of the most significant advantages of downloading PDF books and manuals lies in their portability. Unlike physical copies, digital books can be stored and carried on a single device, such as a tablet or smartphone, saving valuable space and weight. This convenience makes it possible for readers to have their entire library at their fingertips, whether they are commuting, traveling, or simply enjoying a lazy afternoon at home. Additionally, digital files are easily searchable, enabling readers to locate specific information within seconds. With a few keystrokes, users can search for keywords, topics, or phrases, making research and finding relevant information a breeze. This efficiency saves time and effort, streamlining the learning process and allowing individuals to focus on extracting the information they need. Furthermore, the availability of free PDF books and manuals fosters a culture of continuous learning. By removing financial barriers, more people can access educational resources and pursue lifelong learning, contributing to personal growth and professional development. This democratization of knowledge promotes intellectual curiosity and empowers individuals to become lifelong learners, promoting progress and innovation in various fields. It is worth noting that while accessing free Ditch Witch 1010 Parts Manual PDF books and manuals is convenient and cost-effective, it is vital to respect copyright laws and intellectual property rights. Platforms offering free downloads often operate within legal boundaries, ensuring that the materials they provide are either in the public domain or authorized for distribution. By adhering to copyright laws, users can enjoy the benefits of free access to knowledge while supporting the authors and publishers who make these resources available. In conclusion, the availability of Ditch Witch 1010 Parts Manual free PDF books and manuals for download has revolutionized the way we access and consume knowledge. With just a few clicks, individuals can explore a vast collection of resources across different disciplines, all free of charge. This accessibility empowers individuals to become lifelong learners, contributing to personal growth, professional development, and the advancement of society as a whole. So why not unlock a world of knowledge today? Start exploring the vast sea of free PDF books and manuals waiting to be discovered right at your fingertips.

FAQs About Ditch Witch 1010 Parts Manual Books

1. Where can I buy Ditch Witch 1010 Parts Manual books? Bookstores: Physical bookstores like Barnes & Noble, Waterstones, and independent local stores. Online Retailers: Amazon, Book Depository, and various online bookstores offer a wide range of books in physical and digital formats.
2. What are the different book formats available? Hardcover: Sturdy and durable, usually more expensive. Paperback: Cheaper, lighter, and more portable than hardcovers. E-books: Digital books available for e-readers like Kindle or software like Apple Books, Kindle, and Google Play Books.
3. How do I choose a Ditch Witch 1010 Parts Manual book to read? Genres: Consider the genre you enjoy (fiction, non-fiction, mystery, sci-fi, etc.). Recommendations: Ask friends, join book clubs, or explore online reviews and recommendations. Author: If you like a particular author, you might enjoy more of their work.
4. How do I take care of Ditch Witch 1010 Parts Manual books? Storage: Keep them away from direct sunlight and in a dry environment. Handling: Avoid folding pages, use bookmarks, and handle them with clean hands. Cleaning: Gently dust the covers and pages occasionally.
5. Can I borrow books without buying them? Public Libraries: Local libraries offer a wide range of books for borrowing. Book Swaps: Community book exchanges or online platforms where people exchange books.
6. How can I track my reading progress or manage my book collection? Book Tracking Apps: Goodreads, LibraryThing, and Book Catalogue are popular apps for tracking your reading progress and managing book collections. Spreadsheets: You can create your own spreadsheet to track books read, ratings, and other details.
7. What are Ditch Witch 1010 Parts Manual audiobooks, and where can I find them? Audiobooks: Audio recordings of books, perfect for listening while commuting or multitasking. Platforms: Audible, LibriVox, and Google Play Books offer a wide selection of audiobooks.
8. How do I support authors or the book industry? Buy Books: Purchase books from authors or independent bookstores. Reviews: Leave reviews on platforms like Goodreads or Amazon. Promotion: Share your favorite books on social media or recommend them to friends.
9. Are there book clubs or reading communities I can join? Local Clubs: Check for local book clubs in libraries or community centers. Online Communities: Platforms like Goodreads have virtual book clubs and discussion groups.
10. Can I read Ditch Witch 1010 Parts Manual books for free? Public Domain Books: Many classic books are available for free as they're in the public domain. Free E-books: Some websites offer free e-books legally, like Project Gutenberg or Open Library.

Find Ditch Witch 1010 Parts Manual :

[eclipse the priestess trilogy book 3](#)

[echo park harry bosch n° 12](#)

[eclinicalworks manuals](#)

[ebook someone borderline personality disorder control](#)

economic paper2 november 2013 grade 10

[eco city berkeley building a healthy future for the city](#)

[economic geography and public policy](#)

[eca biology review guide answers](#)

ecology on campus lab manual answers

[ebook zillow talk rules real estate](#)

eck 1500 n7 manual

[ebook writing proposal your dissertation guidelines](#)

ecm repair manuals

ebook vascular engineering prospects medicine multidiscipline

[economia y sociedad esbozo de sociologia comprensiva sociologia spanish edition](#)

Ditch Witch 1010 Parts Manual :

validation of the caregiver skills cask scale in catalonia - Sep 04 2022

web pmid 29902351 doi 10 1002 erv 2604 abstract adult attitude caregivers psychology factor analysis statistical fathers

psychology feeding and eating disorders psychology female humans male middle aged mothers psychology

[how are you health in aging - Jun 01 2022](#)

web caregiver self assessment questionnaire how are you caregivers are often so concerned with caring for the relative s needs that they lose sight of their own well being please take just a moment to answer the following questions once you have answered the questions turn the page to do a self evaluation during the past week or so i have

caregiver assessment parts i ii family caregiver alliance - Oct 05 2022

web jun 20 2012 the session covered the identification of key challenges in expanding assessment to include the caregiver as well as the care recipient the challenges of balancing needs using clinical judgment and administering a

caregiver self assessment questionnaire healthinaging org - Aug 15 2023

web the questionnaire can help caregivers look at their own behavior and health risks with their healthcare provider s help this questionnaire can also help caregivers make decisions that may benefit both the caregiver and the older person

sample caregiver test american caregiver association - Mar 10 2023

web dec 1 2019 sample caregiver test questions why is it important to communicate effectively with a resident client or family member what are some of the symptoms of caregiver burnout name three things that can you do to prevent caregiver burnout if you discover a medication error what must you immediately do define abuse neglect and

test your basic knowledge of becoming a caregiver - Apr 30 2022

web becoming a caregiver start test study first subjects certifications health sciences instructions answer 50 questions in 15 minutes if you are not ready to take this test you can study here match each statement with the correct term don t refresh

caregiver test pre screen job candidates fast - Jan 08 2023

web find those candidates who will excel in the role select the assessments that match the skills or behaviours for the position you can test for software or coding competency soft skills like teamwork or personality traits to be sure those who pass have high potential

personal care attendant competency - Aug 03 2022

web skills needed to care for an aging population with complicated health and social care needs the leadingage workforce cabinet has been working since april 2012 to develop tools that providers of long implementing and assessing an individual s service plan for clarity s sake this guide refers collectively to members of the individual s

caregiver job fit test psychology today - Apr 11 2023

web this test is made up of two types of questions scenarios and self assessment for each scenario answer according to how you would most likely behave in a similar situation for the

caregiver quiz rate your caregiving knowledge - Feb 09 2023

web take the free caregiverlist caregiver quiz take the free certified nursing aide sample exam these are actual questions from the nursing assistant test administered by the department of health in each state learn about caregiverlist caregiver certification

home health aide skills assessment caregiverlist com - Jun 13 2023

web home health aide skills assessment caregivers trained to perform care as a home health aide should be able to properly perform the following job duties some senior home care agencies will ask you to complete a skills test you may review caregiverlist s home health aide skills assessment below to assist you to be prepared for an assessment

development and validation of a scale to measure caregiver skills - Jan 28 2022

web used however the assessment of the key skills taught in caregiver interventions has not been thoroughly examined and a

validated instrument for this purpose has yet to be developed the caregiver skills cask scale was developed with this in mind derived by compiling questions pertaining to knowledge of the core skills contained within echo

caregiver test find the best job candidates neuroworx - Jul 02 2022

web by using a caregiver test recruiters can assess skills such as teamwork decision making and problem solving such that they can compare candidates on a like for like basis taking forward only the strongest candidates to interview about the caregiver test

a n e d i m c a i c l r a caregiver self assessment e m a - Nov 06 2022

web caregiver self assessment questionnaire how are you caregivers are often so concerned with caring for their relative s needs that they lose sight caregivers association 1 800 896 3650 nfcacares org national information center for children and youth with disabilities 1 800 695 0285

hha 2023 practice test 50 questions with answers all free - Feb 26 2022

web welcome to your free hha practice test 50 questions email for results name for certificate start my test

quiz worksheet assessing caregiver competence study com - May 12 2023

web about this quiz worksheet discover what you know about patient caregiver competence with this quiz and worksheet pair questions will ask about the common responsibilities of caregivers

caregiver basic competency test homecentris healthcare - Mar 30 2022

web caregiver basic competency test with your training complete please take the competency test below your score will be automatically sent to our human resources department and added to your personnel file

caregiver need assessment a questionnaire for caregiver demand - Dec 07 2022

web jul 1 2008 the aim of the present study is to analyze the psychometric validity and reliability of the caregiver needs assessment cna questionnaire which has been built to investigate the needs related

take the caregiving quiz to see what you know aarp - Dec 27 2021

web aarp membership join aarp for 12 for your first year when you sign up for automatic renewal get instant access to members only products and hundreds of discounts a free second membership and a subscription to aarp the magazine join now renew today

caregiver self assessment questionnaire - Jul 14 2023

web description of measure this 18 item caregiver self report measure was devised by the american medical association as a means of helping physicians assess the stress levels of family caregivers accompanying chronically ill older adult patients to their medical visits

how to prevent acid reflux and heartburn healthline - Oct 23 2023

web may 8 2023 learn about steps you can take to prevent acid reflux and heartburn lifestyle changes medication or surgery may help you find relief risk factors for acid reflux and heartburn

[how do you treat acid reflux right as rain by uw medicine](#) - Feb 15 2023

web feb 16 2021 even if your acid reflux hasn't led to a more serious health condition taking a quick trip to the doctor and making a few healthy adjustments can finally help you banish your heartburn for good take the next step

[reflux finally free stop heartburn and excessive acid in less](#) - Jan 02 2022

web kirsten yang reflux finally free stop heartburn and excessive acid in less than a week with these 3 1 natural methods along with a tasty diet acid reflux book 1 kindle edition by kirsten yang author format kindle edition see all formats and editions kindle edition

[heartburn diagnosis treatment mayo clinic](#) - Jun 07 2022

web may 13 2022 to determine if your heartburn is a symptom of gastroesophageal reflux disease gerd your doctor may recommend x ray to view the shape and condition of your esophagus and stomach endoscopy to view your esophagus with a tiny camera to check for irregularities a tissue sample biopsy may be taken for analysis

[*feeling the burn of acid reflux harvard health*](#) - Mar 04 2022

web apr 1 2022 getting to know gerd heartburn is a burning pain behind the breastbone it is the most common gastrointestinal symptom with more than 60 million americans suffering from flare ups at least once a month heartburn is triggered by certain foods and drinks or from eating too much

[constant heartburn causes symptoms and treatment](#) - Sep 10 2022

web nov 14 2023 hiatal hernia is very common and causes heartburn and other symptoms associated with acid reflux including difficulty swallowing esophageal motility disorders esophageal motility disorders are disorders that prevent the normal rhythmic motion called peristalsis that moves food down the esophagus

reflux finally free stop heartburn and excessive acid in less - Aug 09 2022

web dec 17 2016 reflux finally free stop heartburn and excessive acid in less than a week with these 3 1 natural methods along with a tasty diet acid reflux book 1 ebook yang kirsten amazon ca kindle store

[*reflux finally free stop heartburn and excessive acid in less*](#) - Jul 08 2022

web dec 17 2016 reflux finally free stop heartburn and excessive acid in less than a week with these 3 1 natural methods along with a tasty diet acid reflux book 1 kindle edition by yang kirsten download it once and read it

9 at home treatments for acid reflux harvard health - Aug 21 2023

web may 22 2023 how to get rid of acid reflux if you've been having repeated episodes of heartburn or any other symptoms of acid reflux you might try the following 1 eat sparingly and slowly when the stomach is very full

[acid reflux and gas what s the connection medical news today](#) - Dec 13 2022

web sep 8 2023 gastroesophageal reflux ger also called acid reflux or heartburn is common most people including children experience it at some time excessive flatulence or gas is also common and people

sudden heartburn causes signs it s serious relief verywell - Nov 12 2022

web sep 27 2023 is it normal when is it serious controlling heartburn seeking care if you re getting heartburn all of a sudden and you ve never had it before it may be alarming heartburn acid reflux feels like a sharp burning sensation rising from your stomach passing through your chest and sometimes reaching your throat

reflux finally free stop heartburn and excessive acid - Apr 05 2022

web do you wanna stop the reflux and feel free to talk with people you are going to discover reflux finally free stop heartburn and excessive acid in less than a week with these 3 1 natural methods along with a tasty diet by kirsten yang goodreads

severe heartburn guide to managing chronic symptoms - Feb 03 2022

web sep 2 2023 symptoms of severe heartburn might be caused by gastroesophageal reflux disease gerd gerd is a chronic condition and can be disruptive and painful the symptoms can be so bad that they are difficult to tell apart from a heart attack

acid reflux and burping causes treatment and more medical - May 06 2022

web jul 28 2023 excessive burping is likely to occur with other acid reflux symptoms such as heartburn and regurgitation treating and preventing acid reflux can also help ease burping

heartburn 10 remedies and when to see a doctor medical news today - Mar 16 2023

web jun 29 2018 heartburn or gastroesophageal reflux occurs when stomach contents flow backward and upward into the esophagus taste changes and coughing can accompany the burning sensation in the chest neck

[heartburn symptoms causes mayo clinic](#) - Jan 14 2023

web may 13 2022 heartburn that occurs frequently and interferes with your routine is considered gastroesophageal reflux disease gerd gastroesophageal reflux disease gerd treatment may require prescription medications

heartburn and acid reflux nhs - Jun 19 2023

web heartburn is a burning feeling in the chest caused by stomach acid travelling up towards the throat acid reflux if it keeps happening it may be called gastro oesophageal reflux disease gord check if you have acid reflux the main symptoms of acid reflux are heartburn a burning sensation in the middle of your chest

indigestion heartburn and reflux better health channel - Oct 11 2022

web frequent heartburn also called gastro oesophageal reflux disease can also be caused by hiatus hernia part of the stomach is pushed up through the diaphragm and stays there dietary factors dietary fats chocolate alcohol and coffee may provoke

heartburn because of their effect on the sphincter cigarettes giving up smoking

gastroesophageal reflux disease gerd mayo clinic - May 18 2023

web jan 4 2023 lifestyle changes may help reduce the frequency of acid reflux try to maintain a healthy weight excess pounds put pressure on your abdomen pushing up your stomach and causing acid to reflux into your esophagus stop smoking smoking decreases the lower esophageal sphincter s ability to function properly elevate the head

what is acid reflux and how do you get rid of it verywell - Apr 17 2023

web aug 16 2023 treatment for acid reflux might include medication and lifestyle changes this article includes information about acid reflux including how it relates to chronic conditions lifestyle changes that may prevent symptoms and food choices that may help

gastroesophageal reflux disease gerd symptoms and causes - Jul 20 2023

web jan 4 2023 overview how heartburn and gerd occur enlarge image gastroesophageal reflux disease gerd occurs when stomach acid repeatedly flows back into the tube connecting your mouth and stomach esophagus this backwash acid reflux can irritate the lining of your esophagus many people experience acid reflux

14 ways to prevent heartburn and acid reflux healthline - Sep 22 2023

web jun 6 2023 simple dietary and lifestyle changes can go a long way toward alleviating and preventing heartburn and acid reflux we explore 14 science backed options

ben jonson s plays and masques norton critical editions - May 01 2022

web mar 7 2001 amazon com ben jonson s plays and masques norton critical editions 9780393976380 jonson ben harp richard l books each text includes expanded annotations jonson on his work collects statements by the author on plays and on poetry taken from some of the plays

ben jonson s plays and masques 2001 edition open library - Apr 12 2023

web ben jonson s plays and masques authoritative texts of volpone epicoene the alchemist the masque of blackness mercury vindicated from the alchemists at court pleasure reconciled to virtue contexts backgrounds and sources criticism

ben jonson s plays and masques texts of the plays and masques jonson - Jun 14 2023

web ben jonson s plays and masques texts of the plays and masques jonson on his work contemporary readers on jonson criticism by jonson ben 1573 1637 adams robert martin 1915

ben jonson s plays and masques texts of the plays and masques jonson - Aug 16 2023

web ben jonson s plays and masques texts of the plays and masques jonson on his work contemporary readers on jonson criticism jonson ben 1573 1637 free download borrow and streaming internet archive

ben jonson s plays and masques ben jonson free download - Jan 09 2023

web ben jonson publication date 2001 topics jonson ben 1573 1637 dramatic works masques history and criticism publisher w w norton collection inlibrary printdisabled internetarchivebooks china

ben jonson s plays and masques by ben jonson open library - Sep 05 2022

web an edition of ben jonson s plays and masques 1979 ben jonson s plays and masques texts of the plays and masques jonson on his work contemporary readers on jonson criticism

holdings ben jonson s plays and masques - May 13 2023

web ben jonson s plays and masques authoritative texts of volpone epicoene the alchemist the masque of blackness mercury vindicated from the alchemists at court pleasure reconciled to virtue contexts criticism

research guides shakespeare studies ben jonson - Aug 04 2022

web may 12 2023 ben jonson s plays and masques authoritative texts of volpone epicoene the alchemist the masque of blackness mercury vindicated from the alchemists at court pleasure reconciled to virtue contexts criticism

description ben jonson s plays and masques library catalog - Feb 10 2023

web ben jonson s plays and masques authoritative texts of volpone epicoene the alchemist the masque of blackness mercury vindicated from the alchemists at court pleasure reconciled to virtue contexts criticism by

ben jonson wikipedia - Mar 31 2022

web view history tools from wikipedia the free encyclopedia for other people with similar names see ben johnson benjamin jonson c 11 june 1572 c 6 august 1637 2 was an english playwright and poet jonson s artistry exerted a lasting influence upon english poetry and stage comedy

ben jonson online cambridge university press assessment - Dec 08 2022

web poet dramatist scholar and writer of masques ben jonson wrote for court playhouse and printing house masque records contains transcripts of all the contextual documentation relating to performances of the masques including fresh translations

ben jonson s plays and masques authoritative texts full pdf - Dec 28 2021

web ben jonson s plays and masques ben jonson 1979 this collection features three of jonson s masterpieces volpone epicoene and the alchemist the poetaster or his arraignment b e n ben jonson 2020 04 15 collection of classics by authors and texts that have endured over time

ben jonson s plays and masques authoritative texts of volpone - Mar 11 2023

web ben jonson s plays and masques authoritative texts of volpone epicoene the alchemist the masque of blackness mercury vindicated from the alchemists at court pleasure reconciled 0 jonson ben harp richard amazon it libri

ben jonson s plays and masques 1979 edition open library - Jul 03 2022

web ben jonson s plays and masques by ben jonson 1979 norton edition in english

ben jonson s plays and masques texts of the plays and masques jonson - Jan 29 2022

web jan 1 1979 ben jonson s plays and masques texts of the plays and masques jonson on his work contemporary readers on jonson criticism reprinted edition by ben jonson author

ben jonson s plays and masques authoritative texts of volpone - Jul 15 2023

web ben jonson s plays and masques authoritative texts of volpone epicoene the alchemist the masque of blackness mercury vindicated from the alchemists at court pleasure reconciled to virtue

jonson s thematic language and catchphrases an analysis of - Jun 02 2022

web six of jonson s plays every man in his humour h s 3 302 epicoene h s 5 162 the alchemist h s 5 292 the magnetic lady h s 6 507 the devil is an ass h s 6 162 and the staple of news h s 6 278 begin with this enigmatic collocation the scene london a phrase which though not unique to jonson is used more than

holdings ben jonson s plays and masques - Nov 07 2022

web method and meaning in jonson s masques by meagher john c published 1966 ben jonson s plays and masques authoritative texts of volpone epicoene the alchemist the masque of blackness mercury vindicated from the alchemists at court pleasure reconciled to virtue contexts criticism

ben jonson s plays and masques authoritative texts of volpone - Feb 27 2022

web ben jonson s plays and masques authoritative texts of volpone epicoene the alchemist the masque of blackness mercury vindicated from the alchemists at court pleasure reconciled jonson ben harp richard amazon com mx libros

ben jonson the complete masques ben jonson google books - Oct 06 2022

web ben jonson the complete masques ben jonson yale university press jan 1 1969 drama 557 pages the renaissance court masque traditionally an entertainment of music dancing pageantry