

MOWING DECK— ADJUSTMENTS AND OPERATION MODEL 441

SECTION 1. DECK ASSEMBLY COMPONENTS



WARNING

Always use proper tie-off technique. Use proper tie-off technique for all lifts.

Remove your hands from the deck when it is raised to its highest position. Do not attempt to adjust the deck while it is in its raised position. Use proper tie-off technique.

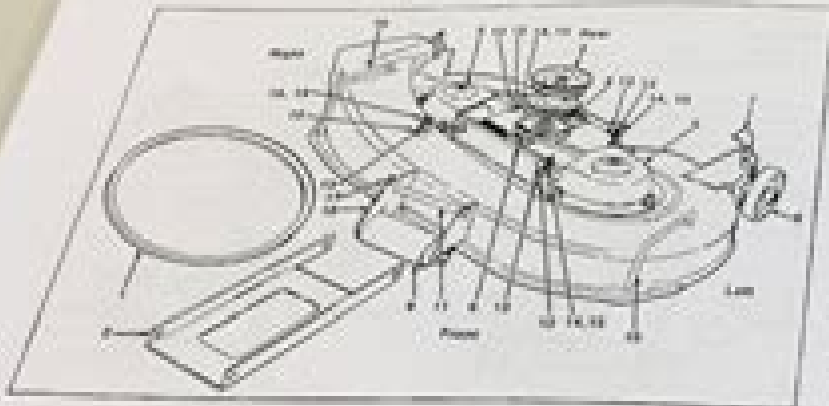


FIGURE 1

1. Front PTO Drive Belt
2. Front Hanger Assembly
3. Drive Drive Pulley
4. Flat Idler Pulley
5. Blade Spindle Cap Cover

6. Spindle Drive Belt
7. Weight Adjusting Bracket
8. Gauge Wheel
9. Front Roller
10. Front Roller Bracket

11. Deck Hanger Rod
12. LH Bracket
13. Pinure
14. Center Pin
15. Flat Washer
16. Choke Hyster
17. Margin Cutter

SECTION 2. INSTALLATION OF DECK ASSEMBLY

A. PREPARATION

1. Verify that the installation of the deck is done correctly.
2. Verify that the mower is on a level surface. The deck should be raised to its highest position. Do not attempt to adjust the deck while it is in its raised position.
3. Make sure the deck is raised to its highest position. Do not attempt to adjust the deck while it is in its raised position.
4. Verify that the deck is raised to its highest position. Do not attempt to adjust the deck while it is in its raised position.
5. Verify that the deck is raised to its highest position. Do not attempt to adjust the deck while it is in its raised position.

B. INSTALLATION OF DECK



WARNING

Use the correct angle. Otherwise the deck may be damaged or the mower may be damaged or the operator may be injured.



WARNING

When handling the mower deck, use proper tie-off technique for all lifts.



CAUTION

The mower deck must be raised to its highest position before starting the mower.

Proceed with deck installation as follows:

1. Refer to Figure 2. Using the steering wheel, turn the left front wheel to the left as far as possible. Remove the hanger cutters from the right end and from the center of the hanger cut. Withdraw the rod from the front hanger bracket. Contact the rollers.
2. Place the LH handle at its lowest setting.
3. Refer to Figure 4. Note the relative position of the top pins at the top of the front LH track to the welded LH pins on the LH carriage. Position the hanger cutters and the hanger cutters against the top of pins to the LH pins. Remove the top LH track.



FIGURE 2

1. Gauge Wheel
2. Gauge Wheel Bracket
3. Deck Release Pin
4. Roll Weight Adjustment Hose

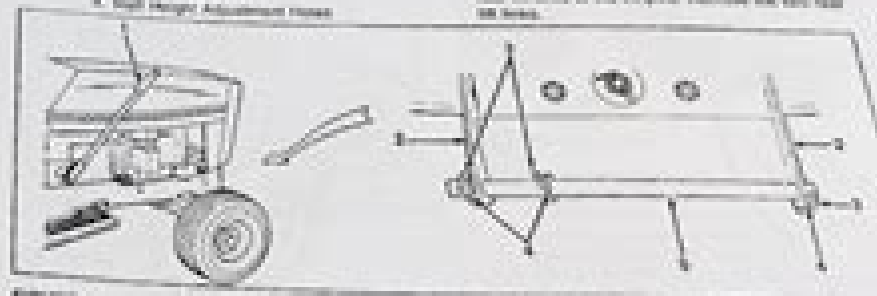


FIGURE 3

1. LH Handle
2. Front Hanger Bracket
3. Hanger Cutter
4. Flat Washer
5. Front Bracket Rod

Cub Cadet 1420 Service Manual

International Harvester Company

A red circular graphic element, resembling a stylized arrow or a partial circle, is positioned to the right of the International Harvester Company text. It has a gradient from light red to dark red.

Cub Cadet 1420 Service Manual:

Farmers and Consumers Market Bulletin ,2011 Service Manual, International Cub Cadet 73, 106, 107, 126, 127
& 147 Tractors & IH Equipment International Harvester Company,1971 **Who's who in Finance and Industry** Marquis
Who's Who, LLC,1981-08

Reviewing **Cub Cadet 1420 Service Manual**: Unlocking the Spellbinding Force of Linguistics

In a fast-paced world fueled by information and interconnectivity, the spellbinding force of linguistics has acquired newfound prominence. Its capacity to evoke emotions, stimulate contemplation, and stimulate metamorphosis is truly astonishing. Within the pages of "**Cub Cadet 1420 Service Manual**," an enthralling opus penned by a highly acclaimed wordsmith, readers set about an immersive expedition to unravel the intricate significance of language and its indelible imprint on our lives. Throughout this assessment, we shall delve in to the book is central motifs, appraise its distinctive narrative style, and gauge its overarching influence on the minds of its readers.

<https://www.portal.goodeyes.com/About/publication/default.aspx/ford%20focus%202008%20automatic%20repair%20manual.pdf>

Table of Contents Cub Cadet 1420 Service Manual

1. Understanding the eBook Cub Cadet 1420 Service Manual
 - The Rise of Digital Reading Cub Cadet 1420 Service Manual
 - Advantages of eBooks Over Traditional Books
2. Identifying Cub Cadet 1420 Service Manual
 - Exploring Different Genres
 - Considering Fiction vs. Non-Fiction
 - Determining Your Reading Goals
3. Choosing the Right eBook Platform
 - Popular eBook Platforms
 - Features to Look for in an Cub Cadet 1420 Service Manual
 - User-Friendly Interface
4. Exploring eBook Recommendations from Cub Cadet 1420 Service Manual
 - Personalized Recommendations
 - Cub Cadet 1420 Service Manual User Reviews and Ratings

- Cub Cadet 1420 Service Manual and Bestseller Lists
- 5. Accessing Cub Cadet 1420 Service Manual Free and Paid eBooks
 - Cub Cadet 1420 Service Manual Public Domain eBooks
 - Cub Cadet 1420 Service Manual eBook Subscription Services
 - Cub Cadet 1420 Service Manual Budget-Friendly Options
- 6. Navigating Cub Cadet 1420 Service Manual eBook Formats
 - ePub, PDF, MOBI, and More
 - Cub Cadet 1420 Service Manual Compatibility with Devices
 - Cub Cadet 1420 Service Manual Enhanced eBook Features
- 7. Enhancing Your Reading Experience
 - Adjustable Fonts and Text Sizes of Cub Cadet 1420 Service Manual
 - Highlighting and Note-Taking Cub Cadet 1420 Service Manual
 - Interactive Elements Cub Cadet 1420 Service Manual
- 8. Staying Engaged with Cub Cadet 1420 Service Manual
 - Joining Online Reading Communities
 - Participating in Virtual Book Clubs
 - Following Authors and Publishers Cub Cadet 1420 Service Manual
- 9. Balancing eBooks and Physical Books Cub Cadet 1420 Service Manual
 - Benefits of a Digital Library
 - Creating a Diverse Reading Collection Cub Cadet 1420 Service Manual
- 10. Overcoming Reading Challenges
 - Dealing with Digital Eye Strain
 - Minimizing Distractions
 - Managing Screen Time
- 11. Cultivating a Reading Routine Cub Cadet 1420 Service Manual
 - Setting Reading Goals Cub Cadet 1420 Service Manual
 - Carving Out Dedicated Reading Time
- 12. Sourcing Reliable Information of Cub Cadet 1420 Service Manual
 - Fact-Checking eBook Content of Cub Cadet 1420 Service Manual
 - Distinguishing Credible Sources

13. Promoting Lifelong Learning
 - Utilizing eBooks for Skill Development
 - Exploring Educational eBooks
14. Embracing eBook Trends
 - Integration of Multimedia Elements
 - Interactive and Gamified eBooks

Cub Cadet 1420 Service Manual Introduction

Free PDF Books and Manuals for Download: Unlocking Knowledge at Your Fingertips In today's fast-paced digital age, obtaining valuable knowledge has become easier than ever. Thanks to the internet, a vast array of books and manuals are now available for free download in PDF format. Whether you are a student, professional, or simply an avid reader, this treasure trove of downloadable resources offers a wealth of information, conveniently accessible anytime, anywhere. The advent of online libraries and platforms dedicated to sharing knowledge has revolutionized the way we consume information. No longer confined to physical libraries or bookstores, readers can now access an extensive collection of digital books and manuals with just a few clicks. These resources, available in PDF, Microsoft Word, and PowerPoint formats, cater to a wide range of interests, including literature, technology, science, history, and much more. One notable platform where you can explore and download free Cub Cadet 1420 Service Manual PDF books and manuals is the internet's largest free library. Hosted online, this catalog compiles a vast assortment of documents, making it a veritable goldmine of knowledge. With its easy-to-use website interface and customizable PDF generator, this platform offers a user-friendly experience, allowing individuals to effortlessly navigate and access the information they seek. The availability of free PDF books and manuals on this platform demonstrates its commitment to democratizing education and empowering individuals with the tools needed to succeed in their chosen fields. It allows anyone, regardless of their background or financial limitations, to expand their horizons and gain insights from experts in various disciplines. One of the most significant advantages of downloading PDF books and manuals lies in their portability. Unlike physical copies, digital books can be stored and carried on a single device, such as a tablet or smartphone, saving valuable space and weight. This convenience makes it possible for readers to have their entire library at their fingertips, whether they are commuting, traveling, or simply enjoying a lazy afternoon at home. Additionally, digital files are easily searchable, enabling readers to locate specific information within seconds. With a few keystrokes, users can search for keywords, topics, or phrases, making research and finding relevant information a breeze. This efficiency saves time and effort, streamlining the learning process and allowing individuals to focus on extracting the information they need. Furthermore, the availability of free PDF books and manuals fosters a culture of continuous learning.

By removing financial barriers, more people can access educational resources and pursue lifelong learning, contributing to personal growth and professional development. This democratization of knowledge promotes intellectual curiosity and empowers individuals to become lifelong learners, promoting progress and innovation in various fields. It is worth noting that while accessing free Cub Cadet 1420 Service Manual PDF books and manuals is convenient and cost-effective, it is vital to respect copyright laws and intellectual property rights. Platforms offering free downloads often operate within legal boundaries, ensuring that the materials they provide are either in the public domain or authorized for distribution. By adhering to copyright laws, users can enjoy the benefits of free access to knowledge while supporting the authors and publishers who make these resources available. In conclusion, the availability of Cub Cadet 1420 Service Manual free PDF books and manuals for download has revolutionized the way we access and consume knowledge. With just a few clicks, individuals can explore a vast collection of resources across different disciplines, all free of charge. This accessibility empowers individuals to become lifelong learners, contributing to personal growth, professional development, and the advancement of society as a whole. So why not unlock a world of knowledge today? Start exploring the vast sea of free PDF books and manuals waiting to be discovered right at your fingertips.

FAQs About Cub Cadet 1420 Service Manual Books

1. Where can I buy Cub Cadet 1420 Service Manual books? Bookstores: Physical bookstores like Barnes & Noble, Waterstones, and independent local stores. Online Retailers: Amazon, Book Depository, and various online bookstores offer a wide range of books in physical and digital formats.
2. What are the different book formats available? Hardcover: Sturdy and durable, usually more expensive. Paperback: Cheaper, lighter, and more portable than hardcovers. E-books: Digital books available for e-readers like Kindle or software like Apple Books, Kindle, and Google Play Books.
3. How do I choose a Cub Cadet 1420 Service Manual book to read? Genres: Consider the genre you enjoy (fiction, non-fiction, mystery, sci-fi, etc.). Recommendations: Ask friends, join book clubs, or explore online reviews and recommendations. Author: If you like a particular author, you might enjoy more of their work.
4. How do I take care of Cub Cadet 1420 Service Manual books? Storage: Keep them away from direct sunlight and in a dry environment. Handling: Avoid folding pages, use bookmarks, and handle them with clean hands. Cleaning: Gently dust the covers and pages occasionally.
5. Can I borrow books without buying them? Public Libraries: Local libraries offer a wide range of books for borrowing.

- Book Swaps: Community book exchanges or online platforms where people exchange books.
6. How can I track my reading progress or manage my book collection? Book Tracking Apps: Goodreads, LibraryThing, and Book Catalogue are popular apps for tracking your reading progress and managing book collections. Spreadsheets: You can create your own spreadsheet to track books read, ratings, and other details.
 7. What are Cub Cadet 1420 Service Manual audiobooks, and where can I find them? Audiobooks: Audio recordings of books, perfect for listening while commuting or multitasking. Platforms: Audible, LibriVox, and Google Play Books offer a wide selection of audiobooks.
 8. How do I support authors or the book industry? Buy Books: Purchase books from authors or independent bookstores. Reviews: Leave reviews on platforms like Goodreads or Amazon. Promotion: Share your favorite books on social media or recommend them to friends.
 9. Are there book clubs or reading communities I can join? Local Clubs: Check for local book clubs in libraries or community centers. Online Communities: Platforms like Goodreads have virtual book clubs and discussion groups.
 10. Can I read Cub Cadet 1420 Service Manual books for free? Public Domain Books: Many classic books are available for free as they're in the public domain. Free E-books: Some websites offer free e-books legally, like Project Gutenberg or Open Library.

Find Cub Cadet 1420 Service Manual :

ford focus 2008 automatic repair manual

ford falcon xf workshop manual

ford fiesta 5000 rds manual

~~ford f250 repair manual 2003~~

~~ford focus repair manual ac evaporator~~

~~ford fiesta user manual~~

~~ford fiesta 2013 canada owners manual~~

ford focus haynes manual

ford laser 98 workshop manual

ford f 150 haynes repair manual

~~ford focus 2008 manual~~

ford f150xl repair manual

[ford focus cooling manual](#)

[ford lightning manual transmission conversion](#)

[ford focus 2009 maintenance manual uk](#)

Cub Cadet 1420 Service Manual :

[harvard managementor team leadership post assessment answers](#) - Dec 09 2022

web harvard managementor team leadership post assessment answers formative assessment leadership dec 02 2022 this exciting new book is for school leaders who are interested in transforming their school and district practices discussing issues that impact students teachers within their

[harvard managementor post assessment answers writing skills](#) - Feb 11 2023

web you could buy lead harvard managementor post assessment answers writing skills or get it as soon as feasible you could speedily download this harvard managementor post assessment answers writing skills after getting deal so bearing in mind you require the book swiftly you can straight get it

post assessment answers harvard manage mentor decision - Apr 13 2023

web q i am looking for the test answers to the harvard managementor full access leadership amp managing people there are 4 q please provide correct answers to strategic thinking questions 10 questions multiple choice harvard managermentor po

harvard managementor team leadership post assessment answers - Feb 28 2022

web apr 10 2023 harvard managementor team leadership post assessment answers 1 13 downloaded from uniport edu ng on april 10 2023 by guest harvard managementor team leadership post assessment answers when somebody should go to the book stores search initiation by shop shelf by shelf it is in reality problematic this is why we present

harvard managementor post assessment answers strategic - Jun 03 2022

web harvard managementor post assessment answers strategic thinking 3 3 teach you the core principles of coaching go granular make feedback more frequent top action steps to launch a teacher s development in an easy to read scope and sequence guide the four phases of skill building phase 1 pre teaching dress rehearsal phase 2

[solved i am looking for the test answers to the harvard managementor](#) - Sep 18 2023

web q do you have answer to harvard managementor post assessment on business plan development team leadership finance essent answered over 90d ago q question 1 jason is deciding whom to invite to the initial meetings of a team that is deciding how to restructure the ac answered over 90d ago

harvard managementor post assessment answers writing skills - May 02 2022

web customer focus harvard managementor post assessment answers harvard managementor is the premier on demand

learning and performance support resource for leadership and management skill development harvard managementor
answers modapktown.com in this site we offer the harvard managementor post assessment
[harvard managementor team leadership post assessment answers](#) - Mar 12 2023
web harvard managementor team leadership post assessment answers strategies for the stages of assessment before during
teachthought mar 24 2022 web dec 9 2016 34 strategies for the stages of assessment before during after for professional
development on assessment contact us today the following graphic from the
[harvard managementor team leadership post assessment answers](#) - Nov 08 2022
web harvard managementor team leadership post assessment answers battle mind how to navigate in chaos and perform
under pressure build an a team leadership in post compulsory education the progress principle strategy that works
employees first customers second management tips 2 beyond digital total leadership adaptive
harvard managementor leadership development program harvard - Jul 16 2023
web for over 25 years harvard managementor has helped global organizations unlock their leadership potential with content
designed to build skills for today and tomorrow it combines high quality leadership content with an
[assessment harvard manage mentor skip to main content 7](#) - Oct 19 2023
web assessment harvard manage mentor 6 27 pm assessment harvard managementor skip to main content correct incorrect
you need at least correct answers to pass in stressful situations when you cultivate positive workplace relationships you can
become a credible and trusted leader 4 how can you show team members you trust them your
harvard managementor harvard business publishing education - May 14 2023
web students earn a personalized certificate recognized by thousands of companies using harvard managementor for
leadership development easily track students progress view the progress of your entire class and check in on
this harvard survey reveals what most people miss about leadership - Jan 30 2022
web may 9 2017 a recent survey conducted by the harvard business review reveals that autonomy at work not
micromanagement is the key to employee satisfaction and organizational achievement it describes this
harvard managementor team leadership post assessment answers - Jan 10 2023
web harvard managementor team leadership post assessment answers weather reporter mar 26 2022 weather reporter a
second grade earth and space science unit provides students with opportunities in a scenario based approach to observe
measure and analyze weather phenomena the overarching concept of change reinforces
[harvard managementor assessment answers fill online](#) - Dec 29 2021
web the purpose of harvard managementor assessment answers is to evaluate the knowledge skills and abilities of
individuals in various management and leadership areas these assessments offer questions and scenarios related to topics

such as communication decision making teamwork problem solving and strategic thinking

harvard managementor post assessment answers esource svb - Nov 27 2021

web harvard managementor post assessment answers 5 5 feedback provide platforms for achievement and personal growth and finally recognize the potential of every individual in the organization the employee first philosophy should be the fulcrum of the transformation journey of any organization coronavirus leadership and recovery the

harvard managementor post assessment answers writing skills - Sep 06 2022

web this site we offer the harvard managementor post assessment answers writin by on line the soft file is the forms of this book to read so this is probably different to other seller sites harvard managementor post assessment answers writing skillsanswer to harvard managementor find study resources

harvard managementor post assessment answers harvard - Apr 01 2022

web organizational culture and leadership edgar h schein 2010 07 16 regarded as one of the most influential management books of all time this fourth edition of leadership and organizational culture transforms the abstract concept of culture into a tool that can be used to better shape the dynamics of organization and change this updated

harvard managementor team leadership post assessment answers - Jul 04 2022

web harvard managementor team leadership post assessment answers teaming leadership in post compulsory education leading through a pandemic no bullsh t leadership employees first customers second management tips 2 being the boss the critical few why should anyone be led by you master your next move with a new

assessment how well does your team function harvard business review - Aug 17 2023

web feb 28 2019 this 23 item assessment is designed to help members of a team become more aware of how it functions by assessing a series of factors known to influence a team s success such as team purpose

harvard managementor presentation skills post assessment answers - Oct 07 2022

web it covers how to identify the single key point of your presentation presentation skills harvard managementor hbr store harvard managementor presentation skills in this site we offer the harvard managementor post assessment answers writin by on line the soft file is the forms of this book to read

harvard managementor retaining employees post assessment answers - Aug 05 2022

web recognizing the habit ways to get this ebook harvard managementor retaining employees post assessment answers is additionally useful you have remained in right site to begin getting this info acquire the harvard managementor retaining employees post assessment answers link that we meet the expense of here and check out the link

harvard managementor post assessment answers difficult - Jun 15 2023

web her success owes partly to the realization that most of us fit into one of four distinct productivity styles arrangers who

think about their projects in terms of the people involved prioritizers who are the definition of goal oriented visualizers who possess a unique ability to comprehend the big picture and planners who live for the d

haccp audit checklist template free download lumiform - Apr 21 2022

web use this hospital environment of care checklist to adhere to the joint commission s eoc lsc em chapters medical forms templates develop a customized template in order to conduct a haccp audit and identify hazards on the go download this checklist as a

sample haccp audit plan 39 in pdf - Jun 04 2023

web sample haccp audit plan download now haccp audit plan example download now haccp audit design plan download now haccp biosecurity audit plan download now general haccp audit plan download now standard haccp audit plan download now haccp audit plan template download now haccp internal auditing plan download

download resources myhaccp food standards agency - Sep 07 2023

web haccp plans pdf example of a linear and modular haccp plan 77 06 kb pdf haccp plans linear haccp plan example 102 49 kb pdf haccp plans modular haccp plan example

16 free audit report templates examples internal audit reports - Jun 23 2022

web audit report format example below is an audit report format example auditor s independent report to mention the company s name report on financial statements we were able to audit the consolidated balance sheet of mention the company s name on november 22nd 2021

haccp plan template free pdf download safetyculture internal haccp - Aug 26 2022

web what is a haccp plan a haccp plan is a written document used by businesses how a guide in implementing the key of haccp furthermore known as the hazard study and critical control points plan it is a food safety monitoring system that helps identify and control biological chemical and physique hazards within the storage transportation

haccp audit plan template - Jul 25 2022

web instantly download haccp audit plan template sample example in pdf available in us sizes quickly customize easily editable printable

food auditor s report template food safety auditing - Dec 30 2022

web 6 size 64 9 kib state active show more hide template for food auditors to use when providing an audit report for compliance or non conformance audit of an accredited food safety program

haccp gmp self assessment checklist bsi - Apr 02 2023

web improvement of the haccp system shall be demonstrated through the review of internal verification activities non conforming product actions corrective actions and the results of external audits new scientific developments advances in

technology and industry best practice should also be considered to continually review the effectiveness

[how to prepare your internal audit program haccp mentor](#) - Mar 01 2023

web jan 15 2019 checklists and audit plan templates don't forget to include corresponding procedures 5 undertaking internal audits all procedures relating to completing or undertaking internal audits are required to be documented this includes both the initial audit and any follow up audits some example procedures are audit methodology

food quality audit report world food programme - Oct 08 2023

web food quality audit report for the united nations world food programme report date audit by this document sets forth the guidelines wfp requires of those with whom wfp purchases raw materials for food distribution or production those who manufacture products for wfp

pg audit reports final the institute of internal auditors or the - May 23 2022

web standards for the professional practice of internal auditing may be indicated only if supported by the results of the quality assurance and improvement program an audit report template is provided in appendix c and simplified audit report examples are provided in appendix d report issuance

[haccp internal audit checklist lumiform](#) - May 03 2023

web haccp internal audit checklist a haccp plan checklist is a useful tool for assessing and reviewing a haccp plan it includes questions to help identify potential hazards assess the effectiveness of haccp controls and plan updates and document plan reviews

haccp certification audit checklists pdf safetyculture - Jul 05 2023

web jul 10 2023 conduct regular haccp food safety inspections using pre made haccp compliance templates automatically generate detailed haccp reports immediately after an inspection is done improve hazard reporting and analysis without the need for paper reports schedule regular haccp inspections through the mobile app with real time

top 5 internal audit report templates with samples and examples - Mar 21 2022

web jun 7 2023 template 1 one page internal audit and control statistics template this minimalistic yet sophisticated design is guaranteed to hit the bullseye delivering a concise and impactful overview of your internal audit and control statistics for the financial year

free haccp plan template pdf safetyculture - Aug 06 2023

web sep 14 2023 a haccp plan template is a ready to use tool that many food establishments utilize as a guide in establishing an effective haccp system it contains all the necessary information to create a comprehensive haccp plan and helps businesses ensure that no critical aspects of the plan are missed

sample internal audit checklist of your food safety program - Sep 26 2022

web mar 13 2019 sample internal audit checklist pdf 100 kb use this to check that your food safety program is working correctly identify any non compliance and take corrective action sample

a guide to the implementation and auditing of haccp csiro - Jan 31 2023

web haccp to develop a haccp plan for the nominated product steps 13 15 reflect the broad activities required to implement the haccp plan into a working system for control of food safety 1 assemble the haccp team and define the scope of the haccp plan 2 describe the product and its distribution method 3 describe the intended use of the product 4

audit report toolkit the institute of internal auditors or the iia - Oct 28 2022

web tools the iia mar 01 2021 professional 2021 audit report toolkit toolkit includes writing an audit report keys to report writing and audit report template tools audit practice mid level members only this is for members only to access it and other valuable resources become a member today or log in download the iia

50 free audit report templates internal audit reports - Feb 17 2022

web an internal audit report template is a document issued by a professional auditor after he has completed the auditing process for a company it contains a detailed summary of the auditor s findings there are different reasons for conducting audits like for acquiring funding complying with government standards and more

haccp plan template free tool for download fooddocs - Nov 28 2022

web haccp plan template for free use our free tool to create a haccp plan template just replace the words on the form when needed and download

economics 102 macroeconomics final exam study com - Sep 25 2022

web test and improve your knowledge of economics 102 macroeconomics with fun multiple choice exams you can take online with study com

ap macroeconomics exam ap central college board - Jul 04 2023

web teachers explore timing and format for the ap macroeconomics exam review sample questions scoring guidelines and sample student responses

macroeconomics questions and answers homework study com - Mar 20 2022

web macroeconomics questions and answers test your understanding with practice problems and step by step solutions browse through all study tools questions and answers 46 792 the domestic

ch 1 review questions principles of macroeconomics 2e - May 22 2022

web what are the three main goals of macroeconomics 15 how did john maynard keynes define economics 16 are households primarily buyers or sellers in the goods and services market in the labor market 17 are firms primarily buyers or sellers in the goods and services market in the labor market 18

ap macroeconomics practice albert - Apr 01 2023

web 6 6 real interest rates and international capital flows 10 questions not started review exam prep concepts of aggregate economics like supply demand trade specialization and inflation with albert s ap macroeconomics practice questions

macroeconomics practice exam ap central - Oct 27 2022

web ap macroeconomics exam regularly scheduled exam date thursday morning may 17 2012 late testing exam date wednesday morning may 23 2012 total time 1 hour 10 minutes number of questions 60 percent of total score 66 6 writing instrument pencil required total time 1 hour number of questions 3 percent of total score 33 3

how to practice with our multiple choice questions - Feb 28 2023

web ap free response tips submit your questions about the 2020 ap macroeconomics exam example free response question from ap macroeconomics economics ap college macroeconomics resources and exam preparation prepare for the 2020 ap macro exam 2023 khan academy how to practice with our multiple choice questions

macroeconomics practice quiz questions and answers - Aug 25 2022

web jul 31 2023 check out these macroeconomics practice quiz questions and answers and test your knowledge for the same macroeconomics is the field of economics that deals with the performances structure behavior and decision making of economies as a whole the quiz below will test how well you know its basics and concepts

macroeconomics quiz 30 questions answers examsegg - Feb 16 2022

web view answer question macroeconomics is a study of economics that deals with 4 major factors a households firms government and demand supply b households firms government and external sector c firms government free market and regulations

ap macroeconomics college macroeconomics khan academy - Jun 03 2023

web macroeconomics is about whole economies what is gdp why does the economy boom and bust how is the government involved we hit the traditional topics from a college level macroeconomics course

ap macroeconomics past exam questions - Oct 07 2023

web download free response questions from past ap macroeconomics exams along with scoring guidelines sample responses from exam takers and scoring distributions

oxford university press online resource centre multiple - May 02 2023

web multiple choice questions web links review questions sample exam questions web appendices lecturer resources vle test bank powerpoint slides lecture plans excel based exercises for macroeconomic modelling solutions to end of chapter exercises browse all subjects business economics economics learn about online resource

basic economics concepts quiz 1 khan academy - Jun 22 2022

web basic economics concepts quiz 1 learn for free about math art computer programming economics physics chemistry biology medicine finance history and more khan academy is a nonprofit with the mission of providing a free world class education for anyone anywhere

ap macroeconomics exam ap students college board - Jan 30 2023

web get exam information and free response questions with sample answers you can use to practice for the ap macroeconomics exam

2020 exam sample questions ap central - Nov 27 2022

web 2020 exam sample question 1 two short questions questions taken from 2011 and 2003 ap macroeconomics exams allotted time 25 minutes plus 5 minutes to submit

ap macroeconomics 2021 free response questions set 1 ap - Dec 29 2022

web 3 questions directions you are advised to spend the first 10 minutes reading all of the questions and planning your answers you will then have 50 minutes to answer all three of the following questions you may begin writing

chapter 17 macroeconomics practice test penguin random - Aug 05 2023

web here is a sample question and answer sample question sample answer chicago is a b c d e state city country continent village use your time effectively working as quickly as you can without losing accuracy do not spend too much time on any one question

multiple choice questions oxford university press - Sep 06 2023

web multiple choice questions web links review questions sample exam questions web appendices lecturer resources vle test bank powerpoint slides lecture plans excel based exercises for macroeconomic modelling solutions to end of chapter exercises browse all subjects business economics economics learn about online resource

exams principles of macroeconomics economics mit opencourseware - Jul 24 2022

web principles of macroeconomics menu more info syllabus calendar readings lecture notes assignments exams exams exams solutions quiz 1 quiz 2 quiz 3 course info grading exams with solutions notes lecture notes download course over 2 500 courses

macroeconomics economics khan academy - Apr 20 2022

web macroeconomics is about whole economies what is gdp why does the economy boom and bust how is the government involved we hit the traditional topics from a college level macroeconomics course