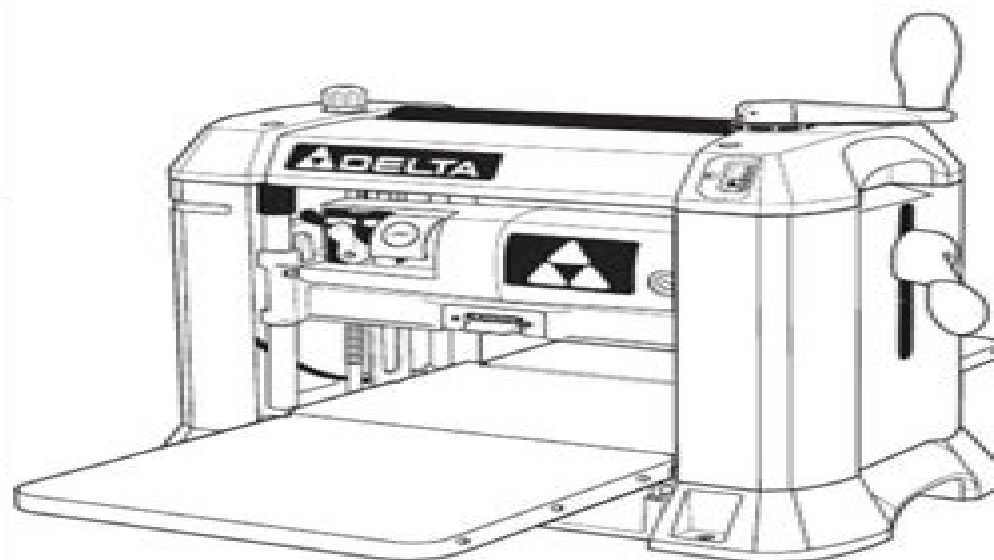


13" (330 mm)  
Two-Speed  
Finishing Planer

Raboteuse de  
 finition à deux  
 vitesses, 330 mm  
(13 po)

Cepilladora de  
 acabado de dos  
 velocidades de  
 330 mm  
(13 pulg.)



Instruction Manual  
Manuel d'Utilisation  
Manual de Instrucciones

FRANÇAIS (20)

ESPAÑOL (37)

[WWW.DELTAMACHINERY.COM](http://WWW.DELTAMACHINERY.COM)

(800) 223-7278 - US

(800) 463-3582 - CANADA

# Delta Planer Manual

**Library of Congress. Copyright Office**



## **Delta Planer Manual:**

**Field Manuals** United States. War Department,1948      **Technical Manual** United States. War Department,1946

**Laboratory Manual of College Geography** Lawrence Martin,University of Wisconsin. Department of Geology,Ernest F. Bean, Frank E. Williams,1913      Construction Methods and Equipment ,1952      *Fine Woodworking* ,2000      **Catalog of**

**Copyright Entries. Third Series** Library of Congress. Copyright Office,1964 Includes Part 1 Number 2 Books and Pamphlets Including Serials and Contributions to Periodicals July December      **Maine State Year-book, and Legislative Manual, for the Year ...** ,1876      Introduction to Manufacturing Systems Professor Samuel C. Obi,2013-01-03 Introduction

to Manufacturing Systems is written for all college and university level manufacturing industrial technology engineering technology industrial design engineering business management and other related disciplines where there is an interest in learning about manufacturing systems as a complete system Even lay people will find this book useful in their quest to learn more about the field Its simple and easy to understand language makes it particularly useful to all readers The field of manufacturing is a world of its own which bears on almost all other disciplines This book is not necessarily a how to material that teaches one how to manufacture a product but rather an aid to help learners gain a more complete understanding of what is in it and what happens in the field Thus this book will provide more comprehensive information about manufacturing It is intended to introduce every interested person to what manufacturing is its diverse components and the various activities and tasks that are undertaken in its many and diverse departments It should serve as an introductory material to beginning college manufacturing and related majors Over the years I have learned that most of these beginners are ill equipped with key aspects of manufacturing when they arrive This group also includes all technical and business minded individuals who enroll or train in trade business engineering vocational and technical programs and institutions This book is divided into 12 very distinctive chapters that are closely arranged to follow manufacturing activities as sequentially as possible to help readers follow a rather continuous thread of activities generally undertaken in the industry Its chapters cover various topics including different types techniques or methods and philosophies of manufacturing manufacturing plants and facilities manufacturing machines tools and production tooling manufacturing processes manufacturing materials and material handling systems measurement instruments manufacturing personnel manufactured products and planning implementing controlling and improving manufacturing systems      AID Small Business Circular; Trade Opportunities for American Suppliers United States. Agency for International Development. Office of Small Business,1964      Manual de Geografia Física (2a ed.) Josep M. Panareda,Vicenç M. Rosselló i Verger,Alejandro Pérez Cueva,1998 Aquest llibre posa a l'abast de l'estudiant les quatre disciplines fonamentals que solen incloure's en la geografia física El tractament privilegiat de la geomorfologia exigeix per la pròpia tradició acadèmica no exclou un desenvolupament consciencios de la climatologia la hidrologia i la biogeografia dins un context d'interconnexions on la geografia's considerada com ecologia humana

American Woodworker ,1992-03 American Woodworker magazine A New Track Media publication has been the premier publication for woodworkers all across America for 25 years We are committed to providing woodworkers like you with the most accurate and up to date plans and information including new ideas product and tool reviews workshop tips and much much more Catalogue of Title-entries of Books and Other Articles Entered in the Office of the Librarian of Congress, at Washington, Under the Copyright Law ... Wherein the Copyright Has Been Completed by the Deposit of Two Copies in the Office Library of Congress. Copyright Office,1963 *American Woodworker* ,1994-12 American Woodworker magazine A New Track Media publication has been the premier publication for woodworkers all across America for 25 years We are committed to providing woodworkers like you with the most accurate and up to date plans and information including new ideas product and tool reviews workshop tips and much much more *Fine Homebuilding* ,2001 **Wood Working Digest** ,1969 Popular Mechanics Jointer & Planer Fundamentals Rick Peters,2007 It happens all the time woodworkers proudly survey their handiwork only to discover gaps in the glue joints and between parts The solution This comprehensive guide It delves into every aspect of each tool basic anatomy features motor sizes dust ports maximum cut and more Check out bench top stationary and portable models of each accessories such as push sticks and knife sharpening jigs and all the must know techniques including face and edge jointing and staggered cut planing There are advanced procedures too from rabbeting and tapering a post to ganged cuts and molding as well as fixtures to make maintenance and repair advice and exciting projects *Popular Mechanics* ,2002-08 Popular Mechanics inspires instructs and influences readers to help them master the modern world Whether it s practical DIY home improvement tips gadgets and digital technology information on the newest cars or the latest breakthroughs in science PM is the ultimate guide to our high tech lifestyle **American Woodworker** ,1992-11 American Woodworker magazine A New Track Media publication has been the premier publication for woodworkers all across America for 25 years We are committed to providing woodworkers like you with the most accurate and up to date plans and information including new ideas product and tool reviews workshop tips and much much more **Catalog of Copyright Entries. Third Series** Library of Congress. Copyright Office,1962 Books and Pamphlets, Including Serials and Contributions to Periodicals Library of Congress. Copyright Office,1963

Thank you utterly much for downloading **Delta Planer Manual**. Most likely you have knowledge that, people have look numerous times for their favorite books with this Delta Planer Manual, but stop taking place in harmful downloads.

Rather than enjoying a fine book later than a mug of coffee in the afternoon, on the other hand they juggled in imitation of some harmful virus inside their computer. **Delta Planer Manual** is understandable in our digital library an online right of entry to it is set as public fittingly you can download it instantly. Our digital library saves in multiple countries, allowing you to get the most less latency time to download any of our books afterward this one. Merely said, the Delta Planer Manual is universally compatible in imitation of any devices to read.

<https://www.portal.goodeyes.com/book/book-search/Documents/destroyer%20angel%20an%20anna%20pigeon%20novel%20anna%20pigeon%20mysteries.pdf>

## **Table of Contents Delta Planer Manual**

1. Understanding the eBook Delta Planer Manual
  - The Rise of Digital Reading Delta Planer Manual
  - Advantages of eBooks Over Traditional Books
2. Identifying Delta Planer Manual
  - Exploring Different Genres
  - Considering Fiction vs. Non-Fiction
  - Determining Your Reading Goals
3. Choosing the Right eBook Platform
  - Popular eBook Platforms
  - Features to Look for in an Delta Planer Manual
  - User-Friendly Interface
4. Exploring eBook Recommendations from Delta Planer Manual
  - Personalized Recommendations
  - Delta Planer Manual User Reviews and Ratings

- Delta Planer Manual and Bestseller Lists
- 5. Accessing Delta Planer Manual Free and Paid eBooks
  - Delta Planer Manual Public Domain eBooks
  - Delta Planer Manual eBook Subscription Services
  - Delta Planer Manual Budget-Friendly Options
- 6. Navigating Delta Planer Manual eBook Formats
  - ePub, PDF, MOBI, and More
  - Delta Planer Manual Compatibility with Devices
  - Delta Planer Manual Enhanced eBook Features
- 7. Enhancing Your Reading Experience
  - Adjustable Fonts and Text Sizes of Delta Planer Manual
  - Highlighting and Note-Taking Delta Planer Manual
  - Interactive Elements Delta Planer Manual
- 8. Staying Engaged with Delta Planer Manual
  - Joining Online Reading Communities
  - Participating in Virtual Book Clubs
  - Following Authors and Publishers Delta Planer Manual
- 9. Balancing eBooks and Physical Books Delta Planer Manual
  - Benefits of a Digital Library
  - Creating a Diverse Reading Collection Delta Planer Manual
- 10. Overcoming Reading Challenges
  - Dealing with Digital Eye Strain
  - Minimizing Distractions
  - Managing Screen Time
- 11. Cultivating a Reading Routine Delta Planer Manual
  - Setting Reading Goals Delta Planer Manual
  - Carving Out Dedicated Reading Time
- 12. Sourcing Reliable Information of Delta Planer Manual
  - Fact-Checking eBook Content of Delta Planer Manual
  - Distinguishing Credible Sources

13. Promoting Lifelong Learning
  - Utilizing eBooks for Skill Development
  - Exploring Educational eBooks
14. Embracing eBook Trends
  - Integration of Multimedia Elements
  - Interactive and Gamified eBooks

### **Delta Planer Manual Introduction**

In this digital age, the convenience of accessing information at our fingertips has become a necessity. Whether its research papers, eBooks, or user manuals, PDF files have become the preferred format for sharing and reading documents. However, the cost associated with purchasing PDF files can sometimes be a barrier for many individuals and organizations. Thankfully, there are numerous websites and platforms that allow users to download free PDF files legally. In this article, we will explore some of the best platforms to download free PDFs. One of the most popular platforms to download free PDF files is Project Gutenberg. This online library offers over 60,000 free eBooks that are in the public domain. From classic literature to historical documents, Project Gutenberg provides a wide range of PDF files that can be downloaded and enjoyed on various devices. The website is user-friendly and allows users to search for specific titles or browse through different categories. Another reliable platform for downloading Delta Planer Manual free PDF files is Open Library. With its vast collection of over 1 million eBooks, Open Library has something for every reader. The website offers a seamless experience by providing options to borrow or download PDF files. Users simply need to create a free account to access this treasure trove of knowledge. Open Library also allows users to contribute by uploading and sharing their own PDF files, making it a collaborative platform for book enthusiasts. For those interested in academic resources, there are websites dedicated to providing free PDFs of research papers and scientific articles. One such website is Academia.edu, which allows researchers and scholars to share their work with a global audience. Users can download PDF files of research papers, theses, and dissertations covering a wide range of subjects. Academia.edu also provides a platform for discussions and networking within the academic community. When it comes to downloading Delta Planer Manual free PDF files of magazines, brochures, and catalogs, Issuu is a popular choice. This digital publishing platform hosts a vast collection of publications from around the world. Users can search for specific titles or explore various categories and genres. Issuu offers a seamless reading experience with its user-friendly interface and allows users to download PDF files for offline reading. Apart from dedicated platforms, search engines also play a crucial role in finding free PDF files. Google, for instance, has an advanced search feature that allows users to filter results by file type. By specifying the file type as "PDF," users can find websites that offer

free PDF downloads on a specific topic. While downloading Delta Planer Manual free PDF files is convenient, its important to note that copyright laws must be respected. Always ensure that the PDF files you download are legally available for free. Many authors and publishers voluntarily provide free PDF versions of their work, but its essential to be cautious and verify the authenticity of the source before downloading Delta Planer Manual. In conclusion, the internet offers numerous platforms and websites that allow users to download free PDF files legally. Whether its classic literature, research papers, or magazines, there is something for everyone. The platforms mentioned in this article, such as Project Gutenberg, Open Library, Academia.edu, and Issuu, provide access to a vast collection of PDF files. However, users should always be cautious and verify the legality of the source before downloading Delta Planer Manual any PDF files. With these platforms, the world of PDF downloads is just a click away.

### **FAQs About Delta Planer Manual Books**

How do I know which eBook platform is the best for me? Finding the best eBook platform depends on your reading preferences and device compatibility. Research different platforms, read user reviews, and explore their features before making a choice. Are free eBooks of good quality? Yes, many reputable platforms offer high-quality free eBooks, including classics and public domain works. However, make sure to verify the source to ensure the eBook credibility. Can I read eBooks without an eReader? Absolutely! Most eBook platforms offer web-based readers or mobile apps that allow you to read eBooks on your computer, tablet, or smartphone. How do I avoid digital eye strain while reading eBooks? To prevent digital eye strain, take regular breaks, adjust the font size and background color, and ensure proper lighting while reading eBooks. What the advantage of interactive eBooks? Interactive eBooks incorporate multimedia elements, quizzes, and activities, enhancing the reader engagement and providing a more immersive learning experience. Delta Planer Manual is one of the best book in our library for free trial. We provide copy of Delta Planer Manual in digital format, so the resources that you find are reliable. There are also many Ebooks of related with Delta Planer Manual. Where to download Delta Planer Manual online for free? Are you looking for Delta Planer Manual PDF? This is definitely going to save you time and cash in something you should think about.

### **Find Delta Planer Manual :**

**destroyer angel an anna pigeon novel anna pigeon mysteries  
deutsche sprachlehre fr auslnder grundstufe teil 2**



detergents and the environment surfactant science

*deutz 1013 engine manual*

deutsche literaturgeschichte

~~detroit series 60 manual~~

*designing great beers the ultimate guide to brewing classic beer styles*

~~detroit diesel service manual 4 71~~

**deutz engine service manual 2015**

deutz 912 913 engine digital workshop repair manual

deutsch 4 klasse bibi reitturnier

**detection estimation and modulation theory part i**

deutsch aktuell 2 additional activities teachers edition

**dessert patisserie 2016 émerveillement papilles**

**detection of signals in noise second edition**

**Delta Planer Manual :**

**biology communities and biomes chapter assessment answers** - Mar 22 2022

web kindly say the biology communities and biomes chapter assessment answers is universally compatible with any devices to read principles of terrestrial ecosystem ecology research education assoc biology for ap courses covers the scope and sequence requirements of a typical two semester advanced placement biology course

standardized test practice mcgraw hill education - Jul 06 2023

web chapter 3 communities biomes and ecosystems standardized test practice your results the correct answer for each question is indicated by a 1 a is a group of interacting populations in a particular area need a hint a biological community b biome c species d habitat 2

**biology chapter 3 test communities biomes and ecosystems** - Dec 31 2022

web 9th 10th biology chapter 3 test communities biomes and ecosystems quiz for 10th grade students find other quizzes for biology and more on quizizz for free

**biology communities and biomes chapter assessment answers** - May 24 2022

web biology communities and biomes chapter assessment answers unveiling the power of verbal art an emotional sojourn through biology communities and biomes chapter assessment answers in a world inundated with screens and the cacophony of instant connection the profound power and emotional resonance of verbal beauty often

**communities biomes and ecosystems mcgraw hill education** - Feb 18 2022

web chapter 3 communities biomes and ecosystems in this chapter chapter test practice english chapter test practice spanish concepts in motion interactive tutor standardized test practice english standardized test practice spanish virtual labs

*communities and ecosystem dynamics 107 plays quizizz* - Jun 24 2022

web 1 pt the variety and variability of habitats communities and ecological process in the biosphere is ecosystem adaptation ecosystem diversity ecosystem differential ecosystem standard multiple choice edit please

**communities biomes and ecosystems mcgraw hill education** - Feb 01 2023

web glencoe biology chapter 3 communities biomes and ecosystems in this chapter microscopy links periodic table links science fair ideas virtual dissections textbook resources online student edition brain pop movies frontiers in microbiology bscs interactive timeline lab safety worksheet

*biology ch 3 communities and biomes flashcards quizlet* - Aug 07 2023

web biome just south of the tundra characterized by a boreal or northern coniferous forest composed of larch fir hemlock and spruce trees and acidic mineral poor topsoils study with quizlet and memorize flashcards containing terms like climax

community limiting factor primary succession and more

**chapter 3 communities biomes and ecosystems flashcards** - Mar 02 2023

web 1 31 flashcards q chat created by teacher glencoe biology chapter 3 communities biomes and ecosystems terms in this set 31 abyssal zone deepest very cold region of the open ocean aphotic zone open ocean zone where sunlight cannot penetrate benthic zone ocean floor area consisting of sand silt and dead organisms boreal forest

**answer key to communities biomes and ecosystems** - Sep 27 2022

web displaying top 8 worksheets found for answer key to communities biomes and ecosystems some of the worksheets for this concept are ecosystems and communities answer key biology communities and biomes answer keys communities biomes and ecosystems answers ecosystems and communities answer key ecosystems and

**biology chapter 3 communities and biomes flashcards** - Apr 03 2023

web two climatic factors temperature and precipitation are major limiting factors for the formation of terrestrial biomes study with quizlet and memorize flashcards containing terms like limiting factor tolerance primary succession and more

*biology chapter 3 communities and biomes flashcards quizlet* - Sep 08 2023

web photic zone in the marine ecosystem shallow zone which allows light to penetrate aphotic zone in the marine ecosystem light is unable to penetrate abyssal zone the deepest region of the ocean benthos organisms plants and animals that live at or near the bottom of a sea limiting nutrient

biology the dynamics of life 1st edition solutions and answers - Jun 05 2023

web our resource for biology the dynamics of life includes answers to chapter exercises as well as detailed information to walk you through the process step by step with expert solutions for thousands of practice problems you can take the guesswork out of studying and move forward with confidence

*chapter 3 communities and biomes temecula valley unified* - Nov 29 2022

web chapter 3 of the biology textbook introduces the concept of biomes which are large regions of the world with similar climate vegetation and animal life the chapter explains how biomes are classified how they differ in terms of temperature precipitation and biodiversity and how they are affected by human activities the chapter also provides a

**biology chapter 3 assessment flashcards quizlet** - May 04 2023

web oct 22 2023 the third level is a community which is a group of populations each of a different species the fourth level is an ecosystem which is a group of communities that live in a particular and distinct habitat the fifth level is a biome which is characterized usually by climate and geography

**biology ecosystems and communities flashcards quizlet** - Oct 29 2022

web full range of physical and biological conditions in which an organism lives and the way in which the organism uses those conditions resource any necessity of life such as water nutrients light food or space

quiz communities the biology corner - Aug 27 2022

web quiz communities 1 in a lakeside community an introduced species hunts by diving for birds the native duck populations decrease in number this is due to intraspecific competition competitive exclusion resource partitioning aggressive mimicry 2 *communities and biomes chapter assessment answers* - Apr 22 2022

web communities and biomes chapter assessment answers 2 downloaded from wiki lwn net on 2022 05 31 by guest questions or scenarios that you may encounter in your classrooms and schools concepts of biology samantha fowler 2018 01 07

concepts of biology is designed for the single semester introduction to biology course for non

**chapter test practice mcgraw hill education** - Oct 09 2023

web glencoe biology chapter 3 communities biomes and ecosystems your results the correct answer for each question is indicated by a 1 a biotic or abiotic factor that restricts the numbers of organisms in an ecosystem is called a an the average weather conditions affecting a biome is called need a hint a temperate

biology communities and biomes chapter assessment answers - Jul 26 2022

web each book in this series provides readers with a deeper understanding of the world s biological communities with each title focusing on a particular biome biome type groups of biomes or system comparative plant succession among terrestrial biomes of the world feb 21 2022 provides a comparative approach to plant succession among all

**nyt crossword answers shash jaa in navajo the new york times** - Feb 15 2023

web may 1 2022 monday puzzle if you are new to the new york times crossword you may have been told by grizzled pencil erasure covered veteran solvers to start with monday because monday

**monday crossword the new yorker** - Nov 12 2022

web oct 23 2023 by kameron austin collins october 16 2023 crossword the crossword monday october 9 2023 trees that line the national mall four letters by anna shechtman october 9 2023

**nyt s the mini crossword answers for november 20 mashable** - Mar 04 2022

web nov 20 2023 trending on mashable here are some tips and tricks to help you find the answer to wordle 886 answers to each clue for the nov 20 2023 edition of nyt s the mini crossword puzzle

**the new york times crossword puzzle wikipedia** - Jul 08 2022

web the new york times crossword puzzle is a daily american style crossword puzzle published in the new york times online on the newspaper s website syndicated to more than 300 other newspapers and journals and on mobile apps the puzzle is created by various freelance constructors and has been edited by will shortz since 1993 the

**the new york times crossword puzzle help** - Sep 10 2022

web the daily crossword puzzles are printed in the arts section of the print edition of the new york times monday through saturday the sunday crossword puzzle is printed in the

[the new york times daily crossword puzzles monday volume i](#) - Oct 11 2022

web about the new york times daily crossword puzzles monday volume i monday s crosswords do with ease tuesday s crosswords not a breeze wednesday s crosswords harder still thursday s crosswords take real skill friday s crosswords you ve come this far saturday s crosswords you re a star

**the crossword monday september 13 2021 the new yorker** - Jul 20 2023

web sep 13 2021 the crossword wednesday september 8 2021 domesticated animals of the andes seven letters the crossword tuesday october 31 2023 a moderately challenging puzzle a free online puzzle

*nyt crossword answers for nov 13 2023 the new york times* - Mar 16 2023

web nov 12 2023 benjamin fink makes a convincing puzzle in his new york times debut by sam corbin jump to today s theme tricky clues monday puzzle before i start solving the daily crossword i take a

[monday s new york times crossword puzzle had a connecticut](#) - Apr 05 2022

web nov 20 2023 the times s crossword is the centerpiece of a games section with more than one million subscribers many of whom loyally complete the puzzle each day monday s puzzles are designed to be the

[the new york times daily crossword puzzles monday volume i by new](#) - Jun 07 2022

web dec 28 1996 the new york times daily crossword puzzles monday volume i 224 by new york times eugene maleska

editor view more paperback mass market paperback volume 1 7 99 for millions of people the new york times crossword puzzles are as essential to each day as the first cup of coffee in the morning now

*monday s new york times crossword puzzle had a connecticut* - May 06 2022

web nov 21 2023 connecticut residents may have enjoyed an advantage in solving monday s new york times crossword puzzle the puzzle written by puzzle editor and veteran crossword author sam ezersky features

the crossword monday march 7 2022 the new yorker - Sep 22 2023

web mar 7 2022 letter from amsterdam how a notorious gangster was exposed by his own sister astrid holleeder secretly recorded her brother s murderous confessions will he exact revenge by patrick radden

**the new york times crossword the new york times** - Apr 17 2023

web we strive to offer puzzles for all skill levels that everyone can enjoy playing every day subscribe now for unlimited access new york times games the crossword the mini crossword

epitome of precision the new york times - Jun 19 2023

web dec 25 2022 jump to tricky clues today s theme monday puzzle the most valuable piece of advice wordplay gives to people who are just starting to solve the new york times crossword

**nyt crossword answers for nov 20 2023 the new york times** - Aug 21 2023

web nov 19 2023 tricky clues 23a leave it to our resident a c p t puzzle five constructor to find a way to clue the simplest three letter entry with a riddle the a of 10 j q k a is an ace because

**the crossword monday november 20 2023 the new yorker** - May 18 2023

web nov 20 2023 the crossword thursday november 16 2023 trio of thread spinning goddesses in greek myth eight letters by elizabeth c gorski life and letters on killing charles dickens i did everything i

**the crossword the new york times** - Oct 23 2023

web nov 19 2023 play the daily new york times crossword puzzle edited by will shortz online try free nyt games like the mini crossword ken ken sudoku set plus our new subscriber only puzzle

**nytimes crosswords play daily and mini puzzles the new york times** - Jan 14 2023

web looking for your longest streak track your progress and access more than 9000 new york times daily puzzles with a crossword subscription already a subscriber

ny times crossword the seattle times - Aug 09 2022

web skip to content coronavirus local news traffic lab law justice local politics education education lab

really miffed the new york times - Dec 13 2022

web nov 27 2022 the theme itself seemed on the level of a tuesday or perhaps a wednesday puzzle but christina iverson a

crossword editor was able to give some insight into why it was scheduled for monday

[john ronald s dragons the story of j r r tolkien hardcover](#) - Sep 04 2022

web mar 21 2017 john ronald s dragons a picture book biography by caroline mcalister and illustrated by eliza wheeler introduces the beloved creator of middle earth and author of the hobbit and the lord of the rings to a new generation of children who see magic in the world around them

**john ronald s dragons the story of j r r tolkien** - Jun 01 2022

web john ronald s dragons a picture book biography by caroline mcalister and illustrated by eliza wheeler introduces the beloved creator of middle earth and author of the hobbit and the lord of the rings to a new generation of children

**john ronald s dragons tolkien book trailer youtube** - Apr 30 2022

web john ronald s dragons the story of j r r tolkien a picture book written by caroline mcalister illustrated by eliza wheeler from roaring brook press macmil

**john ronald s dragons the story of j r r tolkien hardcover** - Mar 10 2023

web mar 21 2017 john ronald s dragons a picture book biography by caroline mcalister and illustrated by eliza wheeler introduces the beloved creator of middle earth and author of the hobbit and the lord of the rings to a new generation of children who see magic in the world around them

*john ronald s dragons the story of j r r tolkien* - Aug 15 2023

web mar 21 2017 john ronald s dragons a picture book biography by caroline mcalister and illustrated by eliza wheeler introduces the beloved creator of middle earth and author of the hobbit and the lord of the rings to a new generation of children who see magic in the world around them

*john ronald s dragons the story of j r r tolkien overdrive* - Jan 08 2023

web mar 21 2017 john ronald s dragons a picture book biography by caroline mcalister and illustrated by eliza wheeler introduces the beloved creator of middle earth and author of the hobbit and the lord of the rings to a new generation of children who see magic in the world around them

**john ronald s dragons caroline mcalister** - Mar 30 2022

web john ronald s dragons was published in 2017 it is illustrated by the wonderful eliza wheeler i was inspired to write the book after reading tolkien s essay on faerie stories which contains the above quote about dragons

**john ronald s dragons the story of j r r tolkien apple books** - May 12 2023

web mar 21 2017 john ronald s dragons a picture book biography by caroline mcalister and illustrated by eliza wheeler introduces the beloved creator of middle earth and author of the hobbit and the lord of the rings to a new generation of children who see magic in the world around them

**john ronald s dragons the story of j r r tolkien** - Jul 14 2023

web mar 27 2017 john ronald s dragons the story of j r r tolkien written by caroline mcalister illustrated by eliza wheeler published by roaring brook press 2017 isbn 978 1626720923 grades k 5 book review john ronald was a boy who loved horses and trees and strange sounding words but most of all john ronald loved dragons

john ronald s dragons the story of j r r tolkien - Oct 05 2022

web john ronald s dragons a picture book biography by caroline mcalister and illustrated by eliza wheeler introduces the beloved creator of middle earth and author of the hobbit and the lord of the rings to a new generation of children

**john ronald s dragons the story of j r r tolkien** - Dec 07 2022

web john ronald s dragons a picture book biography by caroline mcalister and illustrated by eliza wheeler introduces the beloved creator of middle earth and author of the hobbit and the lord of the rings to a new generation of children

john ronald s dragons the story of j r r tolkien - Nov 06 2022

web mar 26 2017 an ideal picture book biography for the younger set john ronald s dragons tells a simple and charming story of a remarkable storyteller teaching ideas and invitations dragons in children s media

loading interface goodreads - Jan 28 2022

web discover and share books you love on goodreads

**john ronald s dragons the story of j r r tolkien macmillan** - Jun 13 2023

web mar 21 2017 john ronald s dragons a picture book biography by caroline mcalister and illustrated by eliza wheeler introduces the beloved creator of middle earth and author of the hobbit and the lord of the rings to a new generation of children who see magic in the world around them

john ronald s dragons the story of j r r tolkien - Feb 09 2023

web john ronald s dragons a picture book biography by caroline mcalister and illustrated by eliza wheeler introduces the beloved creator of middle earth and author of the hobbit and the lord of the rings to a new generation of children who see magic in the world around them read more previous page reading age

john ronald s dragons the story of j r r tolkien - Jul 02 2022

web john ronald was a boy who loved horses and trees and strange sounding words but most of all john ronald loved dragons before j r r tolkien wrote the hobbit he was a young boy who saw dragons in the world all around him the idea of dragons thrilled him he liked to imagine dragons when he

**the flight of dragons wikipedia** - Dec 27 2021

web the flight of dragons is a 1982 animated fantasy film produced and directed by jules bass and arthur rankin jr loosely combining the speculative natural history book of the same name 1979 by peter dickinson with the novel the dragon and the

george 1976 by gordon r dickson it stars the voices of john ritter victor buono in his final role

john ronald s dragons the story of j r r tolkien - Aug 03 2022

web john ronald s dragons a picture book biography by caroline mcalister and illustrated by eliza wheeler introduces the beloved creator of middle earth and author of the hobbit and the lord of the rings to a new generation of children

*john ronald s dragons jordan m poss* - Feb 26 2022

web jan 15 2018 john ronald s dragons is a children s picture book biography of the first half of tolkien s life and it s wonderful the story follows young john ronald from his youth in the midlands to school his move after his mother s death when he was twelve his meeting and courtship of edith his experience in world war i and finally his professorship

*john ronald s dragons the story of j r r tolkien mcalister* - Apr 11 2023

web john ronald loved dragons he liked to imagine dragons when he was alone and with his friends and especially when life got hard or sad after his mother died and he had to live with a cold hearted aunt he looked for dragons