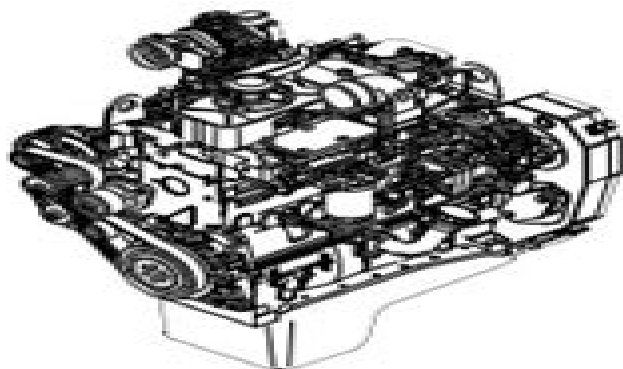
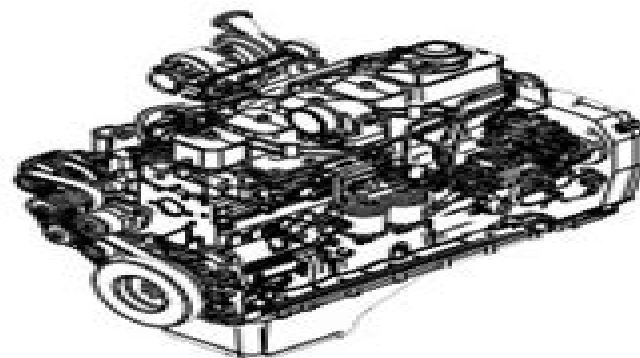

REPAIR MANUAL FOR ENGINES

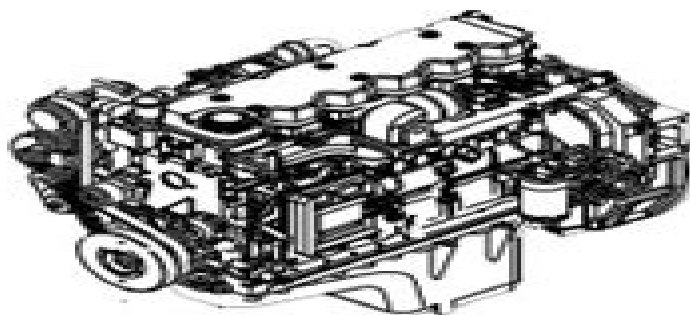
F4GE0484E - F4GE0684F - F4HE0684J



F4GE0484E



F4GE0684F



F4HE0684J

Every information, illustration and specification contained in the present manual is based on the most recent information available at the time of printing.

CNH France S.A. reserves the right, to modify the text at any time without prior communication.

Engine Manual For Iveco Daily

LL Leslie



Engine Manual For Iveco Daily:

This book delves into Engine Manual For Iveco Daily. Engine Manual For Iveco Daily is an essential topic that needs to be grasped by everyone, from students and scholars to the general public. This book will furnish comprehensive and in-depth insights into Engine Manual For Iveco Daily, encompassing both the fundamentals and more intricate discussions.

1. The book is structured into several chapters, namely:
 - Chapter 1: Introduction to Engine Manual For Iveco Daily
 - Chapter 2: Essential Elements of Engine Manual For Iveco Daily
 - Chapter 3: Engine Manual For Iveco Daily in Everyday Life
 - Chapter 4: Engine Manual For Iveco Daily in Specific Contexts
 - Chapter 5: Conclusion
2. In chapter 1, this book will provide an overview of Engine Manual For Iveco Daily. The first chapter will explore what Engine Manual For Iveco Daily is, why Engine Manual For Iveco Daily is vital, and how to effectively learn about Engine Manual For Iveco Daily.
3. In chapter 2, this book will delve into the foundational concepts of Engine Manual For Iveco Daily. The second chapter will elucidate the essential principles that must be understood to grasp Engine Manual For Iveco Daily in its entirety.
4. In chapter 3, the author will examine the practical applications of Engine Manual For Iveco Daily in daily life. The third chapter will showcase real-world examples of how Engine Manual For Iveco Daily can be effectively utilized in everyday scenarios.
5. In chapter 4, this book will scrutinize the relevance of Engine Manual For Iveco Daily in specific contexts. This chapter will explore how Engine Manual For Iveco Daily is applied in specialized fields, such as education, business, and technology.
6. In chapter 5, the author will draw a conclusion about Engine Manual For Iveco Daily. The final chapter will summarize the key points that have been discussed throughout the book.

This book is crafted in an easy-to-understand language and is complemented by engaging illustrations. This book is highly recommended for anyone seeking to gain a comprehensive understanding of Engine Manual For Iveco Daily.

<https://www.portal.goodeyes.com/book/browse/Documents/De%20Pozie%20Van%20Jcbloem%20In%20Europees%20Perspectief.pdf>

Table of Contents Engine Manual For Iveco Daily

1. Understanding the eBook Engine Manual For Iveco Daily
 - The Rise of Digital Reading Engine Manual For Iveco Daily
 - Advantages of eBooks Over Traditional Books
2. Identifying Engine Manual For Iveco Daily
 - Exploring Different Genres
 - Considering Fiction vs. Non-Fiction
 - Determining Your Reading Goals
3. Choosing the Right eBook Platform
 - Popular eBook Platforms
 - Features to Look for in an Engine Manual For Iveco Daily
 - User-Friendly Interface
4. Exploring eBook Recommendations from Engine Manual For Iveco Daily
 - Personalized Recommendations
 - Engine Manual For Iveco Daily User Reviews and Ratings
 - Engine Manual For Iveco Daily and Bestseller Lists
5. Accessing Engine Manual For Iveco Daily Free and Paid eBooks
 - Engine Manual For Iveco Daily Public Domain eBooks
 - Engine Manual For Iveco Daily eBook Subscription Services
 - Engine Manual For Iveco Daily Budget-Friendly Options
6. Navigating Engine Manual For Iveco Daily eBook Formats
 - ePub, PDF, MOBI, and More
 - Engine Manual For Iveco Daily Compatibility with Devices
 - Engine Manual For Iveco Daily Enhanced eBook Features
7. Enhancing Your Reading Experience
 - Adjustable Fonts and Text Sizes of Engine Manual For Iveco Daily
 - Highlighting and Note-Taking Engine Manual For Iveco Daily
 - Interactive Elements Engine Manual For Iveco Daily
8. Staying Engaged with Engine Manual For Iveco Daily

- Joining Online Reading Communities
 - Participating in Virtual Book Clubs
 - Following Authors and Publishers Engine Manual For Iveco Daily
9. Balancing eBooks and Physical Books Engine Manual For Iveco Daily
- Benefits of a Digital Library
 - Creating a Diverse Reading Collection Engine Manual For Iveco Daily
10. Overcoming Reading Challenges
- Dealing with Digital Eye Strain
 - Minimizing Distractions
 - Managing Screen Time
11. Cultivating a Reading Routine Engine Manual For Iveco Daily
- Setting Reading Goals Engine Manual For Iveco Daily
 - Carving Out Dedicated Reading Time
12. Sourcing Reliable Information of Engine Manual For Iveco Daily
- Fact-Checking eBook Content of Engine Manual For Iveco Daily
 - Distinguishing Credible Sources
13. Promoting Lifelong Learning
- Utilizing eBooks for Skill Development
 - Exploring Educational eBooks
14. Embracing eBook Trends
- Integration of Multimedia Elements
 - Interactive and Gamified eBooks

Engine Manual For Iveco Daily Introduction

In this digital age, the convenience of accessing information at our fingertips has become a necessity. Whether its research papers, eBooks, or user manuals, PDF files have become the preferred format for sharing and reading documents. However, the cost associated with purchasing PDF files can sometimes be a barrier for many individuals and organizations. Thankfully, there are numerous websites and platforms that allow users to download free PDF files legally. In this article, we will explore some of the best platforms to download free PDFs. One of the most popular platforms to download free PDF files is Project Gutenberg. This online library offers over 60,000 free eBooks that are in the public domain. From classic literature to

historical documents, Project Gutenberg provides a wide range of PDF files that can be downloaded and enjoyed on various devices. The website is user-friendly and allows users to search for specific titles or browse through different categories. Another reliable platform for downloading Engine Manual For Iveco Daily free PDF files is Open Library. With its vast collection of over 1 million eBooks, Open Library has something for every reader. The website offers a seamless experience by providing options to borrow or download PDF files. Users simply need to create a free account to access this treasure trove of knowledge. Open Library also allows users to contribute by uploading and sharing their own PDF files, making it a collaborative platform for book enthusiasts. For those interested in academic resources, there are websites dedicated to providing free PDFs of research papers and scientific articles. One such website is Academia.edu, which allows researchers and scholars to share their work with a global audience. Users can download PDF files of research papers, theses, and dissertations covering a wide range of subjects. Academia.edu also provides a platform for discussions and networking within the academic community. When it comes to downloading Engine Manual For Iveco Daily free PDF files of magazines, brochures, and catalogs, Issuu is a popular choice. This digital publishing platform hosts a vast collection of publications from around the world. Users can search for specific titles or explore various categories and genres. Issuu offers a seamless reading experience with its user-friendly interface and allows users to download PDF files for offline reading. Apart from dedicated platforms, search engines also play a crucial role in finding free PDF files. Google, for instance, has an advanced search feature that allows users to filter results by file type. By specifying the file type as "PDF," users can find websites that offer free PDF downloads on a specific topic. While downloading Engine Manual For Iveco Daily free PDF files is convenient, it's important to note that copyright laws must be respected. Always ensure that the PDF files you download are legally available for free. Many authors and publishers voluntarily provide free PDF versions of their work, but it's essential to be cautious and verify the authenticity of the source before downloading Engine Manual For Iveco Daily. In conclusion, the internet offers numerous platforms and websites that allow users to download free PDF files legally. Whether it's classic literature, research papers, or magazines, there is something for everyone. The platforms mentioned in this article, such as Project Gutenberg, Open Library, Academia.edu, and Issuu, provide access to a vast collection of PDF files. However, users should always be cautious and verify the legality of the source before downloading Engine Manual For Iveco Daily any PDF files. With these platforms, the world of PDF downloads is just a click away.

FAQs About Engine Manual For Iveco Daily Books

How do I know which eBook platform is the best for me? Finding the best eBook platform depends on your reading preferences and device compatibility. Research different platforms, read user reviews, and explore their features before

making a choice. Are free eBooks of good quality? Yes, many reputable platforms offer high-quality free eBooks, including classics and public domain works. However, make sure to verify the source to ensure the eBook credibility. Can I read eBooks without an eReader? Absolutely! Most eBook platforms offer webbased readers or mobile apps that allow you to read eBooks on your computer, tablet, or smartphone. How do I avoid digital eye strain while reading eBooks? To prevent digital eye strain, take regular breaks, adjust the font size and background color, and ensure proper lighting while reading eBooks. What the advantage of interactive eBooks? Interactive eBooks incorporate multimedia elements, quizzes, and activities, enhancing the reader engagement and providing a more immersive learning experience. Engine Manual For Iveco Daily is one of the best book in our library for free trial. We provide copy of Engine Manual For Iveco Daily in digital format, so the resources that you find are reliable. There are also many Ebooks of related with Engine Manual For Iveco Daily. Where to download Engine Manual For Iveco Daily online for free? Are you looking for Engine Manual For Iveco Daily PDF? This is definitely going to save you time and cash in something you should think about. If you trying to find then search around for online. Without a doubt there are numerous these available and many of them have the freedom. However without doubt you receive whatever you purchase. An alternate way to get ideas is always to check another Engine Manual For Iveco Daily. This method for see exactly what may be included and adopt these ideas to your book. This site will almost certainly help you save time and effort, money and stress. If you are looking for free books then you really should consider finding to assist you try this. Several of Engine Manual For Iveco Daily are for sale to free while some are payable. If you arent sure if the books you would like to download works with for usage along with your computer, it is possible to download free trials. The free guides make it easy for someone to free access online library for download books to your device. You can get free download on free trial for lots of books categories. Our library is the biggest of these that have literally hundreds of thousands of different products categories represented. You will also see that there are specific sites catered to different product types or categories, brands or niches related with Engine Manual For Iveco Daily. So depending on what exactly you are searching, you will be able to choose e books to suit your own need. Need to access completely for Campbell Biology Seventh Edition book? Access Ebook without any digging. And by having access to our ebook online or by storing it on your computer, you have convenient answers with Engine Manual For Iveco Daily To get started finding Engine Manual For Iveco Daily, you are right to find our website which has a comprehensive collection of books online. Our library is the biggest of these that have literally hundreds of thousands of different products represented. You will also see that there are specific sites catered to different categories or niches related with Engine Manual For Iveco Daily So depending on what exactly you are searching, you will be able tochoose ebook to suit your own need. Thank you for reading Engine Manual For Iveco Daily. Maybe you have knowledge that, people have search numerous times for their favorite readings like this Engine Manual For Iveco Daily, but end up in harmful downloads. Rather than reading a good book with a cup of coffee in the afternoon, instead they juggled

with some harmful bugs inside their laptop. Engine Manual For Iveco Daily is available in our book collection an online access to it is set as public so you can download it instantly. Our digital library spans in multiple locations, allowing you to get the most less latency time to download any of our books like this one. Merely said, Engine Manual For Iveco Daily is universally compatible with any devices to read.

Find Engine Manual For Iveco Daily :

de pozie van jcbloem in europees perspectief

de vijf nr 5 in een kampeerwagen

de spiegel van stendhal over de weergave van de werkelijkheid in literatuur

de pallisers deel 2 met fotos van de tvserie

de portretkunst in friesland in de 17e eeuw

de spiegel weekillustratie voor het christelijk gezin 11-19161917

de schoonheid van frankrijk

de scheepsjongen van michiel de ruyter paddeltje

de romeinse lente van mrs stone

dead men do tell tales

~~de parel in de kroon de dag van de schorpioen~~

de reis van de kontiki

dead men talking the worlds worst killers in their own words

~~de saint wordt geofferd~~

~~de zoon van juffrouw dora~~

Engine Manual For Iveco Daily :

mr tiger goes wild lingua inglese by peter brown - Feb 22 2022

web sep 12 2023 elementare in cui sto insegnando inglese per un paio di ore alla settimana naturalmente e un libro per bambini di madre lingua inglese mr tiger goes wild boston globe horn book awards awards peter brown 4 7 out of 5 stars 295

kindle edition the grand tour wele to prime video edms ncdmb gov ng 3 12

mr tiger goes wild by peter brown goodreads - Dec 03 2022

web sep 3 2013 maybe i am being just a trifle just a bit too literal this morning but with peter brown s mr tiger goes wild i

do indeed tend to have a few rather annoying thematic and textual issues with especially the last part of the story namely that if mr tiger really and truly does in fact go wild so to speak if he for certain has reverted back to being how

mr tiger goes wild youtube - May 28 2022

web about press copyright contact us creators advertise developers terms privacy policy safety how youtube works test new features nfl sunday ticket press copyright

mr tiger goes wild brown peter amazon it libri - Oct 01 2022

web mr tiger goes wild brown peter amazon it libri passa al contenuto principale it ciao scegli il tuo indirizzo libri seleziona la categoria in cui desideri effettuare la ricerca ricerca amazon it

mr tiger goes wild lingua inglese brown peter brown peter - Aug 11 2023

web compra mr tiger goes wild lingua inglese spedizione gratuita su ordini idonei mr tiger goes wild lingua inglese brown peter brown peter amazon it libri

mr tiger goes wild peter brown libro in lingua inglese pan - Feb 05 2023

web mr tiger goes wild è un libro di peter brownpan macmillan acquista su ibs a 9 63

mr tiger goes wild youtube - Aug 31 2022

web dec 15 2017 mr tiger goes wild by peter brown this book was provided to all primary 2 pupils in scotland by the scottish book trust in 2017 as part of the read write

mr tiger goes wild by peter brown a children s picture book - Mar 06 2023

web mr tiger goes wild written illustrated by peter brown is a new york times indiebound bestselling children s picture book

mr tiger goes wild peter brown google books - Jan 04 2023

web sep 3 2013 mr tiger knows exactly how you feel so he decides to go wild but does he go too far from caldecott honor artist peter brown comes a story that shows there s a time and place for everything even going wild

mr tiger goes wild lingua inglese pdf uniport edu - Apr 26 2022

web apr 3 2023 mr tiger goes wild lingua inglese 1 8 downloaded from uniport edu ng on april 3 2023 by guest mr tiger goes wild lingua inglese as recognized adventure as with ease as experience practically lesson amusement as without difficulty as conformity can be gotten by just checking

mr tiger goes wild brown peter 1979 author artist archive org - Jul 10 2023

web mr tiger goes wild by brown peter 1979 author artist publication date english 1 volume unpagged 25 cm are you bored with being so proper do you want to have more fun mr tiger knows exactly how you feel 3 access restricted item true addeddate 2020 12 09 18 26 47 boxid ia40003302

mr tiger goes wild read aloud youtube - Apr 07 2023

web aug 25 2018 mr tiger goes wildby peter brown

teacher letizia legge in inglese mr tiger goes wild youtube - Jun 09 2023

web una lettura in inglese per bambini e genitori per accompagnare mr tiger alla ricerca delle proprie risposte e per porsi delle domande mr tiger è stufo di

mr tiger goes wild english edition ebook amazon it - May 08 2023

web mr tiger goes wild english edition ebook brown peter brown peter amazon it kindle store

mr tiger goes wild lingua inglese download only wrbb neu - Mar 26 2022

web site to begin getting this info acquire the mr tiger goes wild lingua inglese link that we have the funds for here and check out the link you could purchase guide mr tiger goes wild lingua inglese or acquire it as soon as feasible you could speedily download this mr tiger goes wild lingua inglese after getting deal

mr tiger goes wild youtube - Jul 30 2022

web dec 3 2015 read aloudauthor peter brownget this great book here amzn to 2qbwshfollow us on pinterest pinterest com ourhomeofmany boards follow

english mr tiger goes wild by peter brown read aloud children - Sep 12 2023

web aug 20 2018 mr tiger knows exactly how you feel funky funny and beautiful the times an inspired book guardian comments are turned off learn more

mr tiger goes wild lingua inglese secure mowtampa - Jan 24 2022

web mr tiger goes wild lingua inglese 3 3 development of human language by the world s leading expert on language and the mind in this classic the world s expert on language and mind lucidly explains everything you always wanted to know about language how it works how children learn it how it changes how the brain computes it and how it

mr tiger goes wild lingua inglese gabriele rifilato download - Jun 28 2022

web mr tiger goes wild lingua inglese mr tiger goes wild lingua inglese 2 downloaded from darelova com on 2023 05 19 by guest iannucci in a wildly eventful life david copperfield moves from the cruelty of his stepfather s care to the heights of success as a beloved and respected novelist on his journey through victorian society he endures bitter

mr tiger goes wild lingua inglese pdf - Nov 02 2022

web a retelling of traditional gond tales about the tiger illustrated with richly symbolic art capturing not only the mythic and iconic status of the great beast but also a time place and relationship that is lost to us

is the all the light we cannot see ending based on a true - Nov 16 2021

this blinding absence of light by tahar ben jelloun - Dec 30 2022

web an immediate and critically acclaimed bestseller in france this blinding absence of light is the latest work by tahar ben jelloun the first north african winner of the 1994 prix

this blinding absence of light tahar ben jelloun google books - May 03 2023

web mar 1 2002 an immediate and critically acclaimed bestseller in france and winner of the 2004 international impac dublin literary award this blinding absence of light is the

this blinding absence of light amazon com - Aug 06 2023

web jan 31 2006 an immediate and critically acclaimed bestseller in france this blinding absence of light is the latest work by internationally renowned author tahar ben

this blinding absence of light by tahar ben jelloun - Dec 18 2021

this blinding absence of light amazon ae - May 23 2022

web based on an incident involving starvation and torture in morocco prix goncourt winner jelloun s latest novel is a disturbing grisly account of how a prisoner survived a 20 year

this blinding absence of light tahar ben jelloun google books - Apr 02 2023

web 76 44 free delivery sold by buyglobal see all 2 images follow the author tahar ben jelloun this blinding absence of light a novel hardcover 1 may 2002 by

this blinding absence of light a novel amazon co uk - Nov 28 2022

web a shocking story set in morocco s desert concentration camps from the prix goncourt winning novelist an immediate and critically acclaimed bestseller in france

[this blinding absence of light wikipedia](#) - Oct 08 2023

web jan 31 2006 an immediate and critically acclaimed bestseller in france this blinding absence of light is the latest work by internationally renowned author tahar ben

this blinding absence of light penguin books uk - Jan 31 2023

web an immediate and critically acclaimed bestseller in france and winner of the 2004 international impac dublin literary award this blinding absence of light is the latest

[this blinding absence of light ben jelloun tahar 1944 free](#) - Apr 21 2022

web nov 6 2023 shawn levy made a promise to anthony doerr when he first reached out to the author to adapt his pulitzer prize winning novel all the light we cannot see

this blinding absence of light novel by ben jelloun - Jun 04 2023

web an immediate and critically acclaimed bestseller in france and winner of the 2004 international impac dublin literary

award this blinding absence of light is the latest

this blinding absence of light reader s guide penguin - Jul 05 2023

web tahar ben jelloun penguin books 2005 concentration camps 195 pages in this extraordinary non fiction novel based on a true story tahar ben jelloun traces the

this blinding absence of light by tahar ben jelloun - Jan 19 2022

this blinding absence of light book marks - Feb 17 2022

this blinding absence of light bookshop - Aug 26 2022

web this blinding absence of light ben jelloun tahar amazon com tr kitap Çerez tercihlerinizi seçin Çerez bildirimimizde detaylandırıldığı üzere satın alım yapmanızı

this blinding absence of light the new press - Jun 23 2022

web this blinding absence of light by tahar ben jelloun is a remarkable deeply unsettling novel based on a true story which has reminded me of the incredible strength humans

this blinding absence of light amazon com tr - Mar 21 2022

this blinding absence of light by tahar ben jelloun - Sep 07 2023

web an immediate and critically acclaimed bestseller in france this blinding absence of light is the latest work by internationally renowned author tahar ben jelloun the first north

nandha kishore s review of this blinding absence of light - Sep 26 2022

web this blinding absence of light by ben jelloun tahar 1944 coverdale linda publication date 2002 publisher new york new press collection inlibrary printdisabled

this blinding absence of light dublin literary award - Jul 25 2022

web may 1 2002 fiction historical from author tahar ben jelloun the first north african winner of the prix goncourt comes the horrific story of the desert concentration camps in

this blinding absence of light tahar ben jelloun google books - Mar 01 2023

web apr 19 2020 this blinding absence of light by tahar ben jelloun linda coverdale translator nandha kishore s review apr 19 2020 the idea of existentialism is

this blinding absence of light a novel amazon com au - Oct 28 2022

web this blinding absence of light paperback 31 january 2006 by tahar ben jelloun author linda coverdale translator 4 5 84

ratings see all formats and editions

management account reddy and murthy - May 06 2022

web this information about pdf gov management account reddy and murthy pdf has been uploaded when somebody should go to the book stores search instigation by shop

management accounts reddy murthy pdf pdf devy ortax - Oct 23 2023

web introduction management accounts reddy murthy pdf pdf principles of management accounting dr s n maheshwari 2021 06 21 the book provides

financial accounting by t s reddy a murthy pdf file treca - Oct 11 2022

web covers major aspects of management accounting useful for b com m com and mba students covers ratio analysis break even analysis budgets control standard

ebook management accounts reddy murthy - Feb 15 2023

web book takes accounts of recent developments on the subject with special emphasis on responsibility accounting transfer pricing total quality management activity based

management account reddy and murthy pdf pdf tax - Aug 09 2022

web title management account reddy and murthy subject management account reddy and murthy created date 10 31 2023 10 56 09 am

amazon in t s reddy a murthy books - Aug 21 2023

web management account reddy and murthy fundamentals of corporate accounting as per cbcs jan 01 2021 this textbook provides students with the knowledge of basic

management account reddy and murthy bing 2022 - Jan 02 2022

4 reddy t s and murthy a financial accounting margham - Apr 17 2023

web feb 25 2023 management account reddy and murthy bing right here we have countless ebook management account reddy and murthy bing and collections to

management account reddy and murthy fronteraresources - Mar 04 2022

web management account reddy and murthy pdf introduction management account reddy and murthy pdf full pdf management accounting for decision makers peter

management account reddy and murthy copy - Sep 10 2022

web financial accounting by t s reddy a murthy for madras university rated out of 5 based on customer ratings 18 customer reviews 330 00 title financial accounting

management account reddy and murthy bing pdf esource svb - May 18 2023

web cbi 15cbi08 cost accounting semester iii learning objective to learn the concepts of cost ascertainments hours l nit i introduction 12 cost accounting meaning

pdf gov management account reddy and murthy pdf - Feb 03 2022

corporate accounting by reddy and murthy volume 1 - Jan 14 2023

web financial accounting by t s reddy a murthy financial accounting by t s reddy a murthy studies in accounting and finance contemporary issues and debates useful

management account reddy and murthy bing - Mar 16 2023

web comprehensive textbook of financial cost and management accounting for the students of m b a and m c a advanced cost accounting aug 14 2023 covers advanced cost

management account reddy and murthy download only - Jul 20 2023

web management account reddy and murthy iccce 2020 aug 27 2021 this book is a collection of research papers and articles presented at the 3rd international conference

buy financial accounting by t s reddy murthy madras university - Jun 07 2022

web 2 management account reddy and murthy 2021 06 15 c a students business executives and administrators who need to learn the application of economic theory to

management account reddy and murthy pdf copy support ortax - Nov 12 2022

web management account reddy and murthy pdf upload mita a boyle 2 5 downloaded from tax clone ortax org on september 2 2023 by mita a boyle between accounting and

corporate accounting reddy and murthy pdf - Dec 13 2022

web in the accounting paper at the foundation examinations of institute of chartered accountants of india the institute of company secretaries of india and the institute of

management account reddy and murthy pdf full pdf tax - Dec 01 2021

management accounting by t s reddy from margham publication - Sep 22 2023

web apr 21 2022 management accounting by t s reddy from margham publication rated out of 5 based on customer rating 1 customer review 340 00 335 00 publisher

management account reddy and murthy download only - Jun 19 2023

web 2 management account reddy and murthy bing 2022 08 25 manner the unique features of this book lie in its simple and

systematic presentation of theory which would

management account reddy and murthy 2022 pantera adecco - Apr 05 2022

web management account reddy and murthy financial accounting by ts reddy and murthy financial accounting by ts reddy and murthy guide management

management account reddy and murthy bing download only - Jul 08 2022

web financial accounting by t s reddy a murthy pdf book management accounting by ts reddy murthy bing pdf book management accounting book pdf free