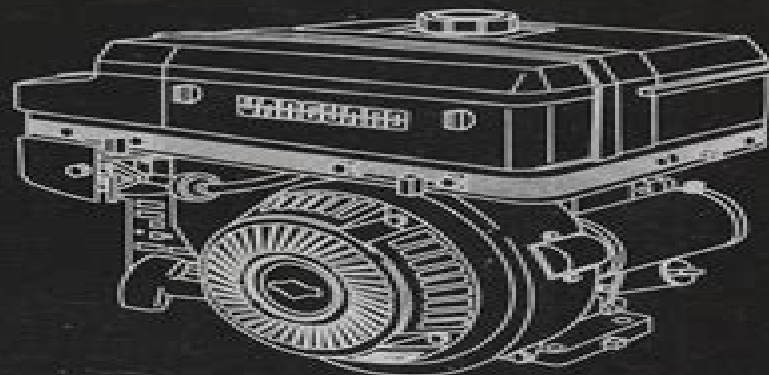
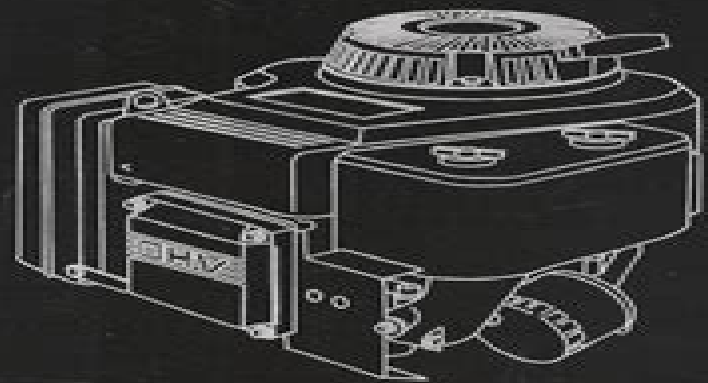
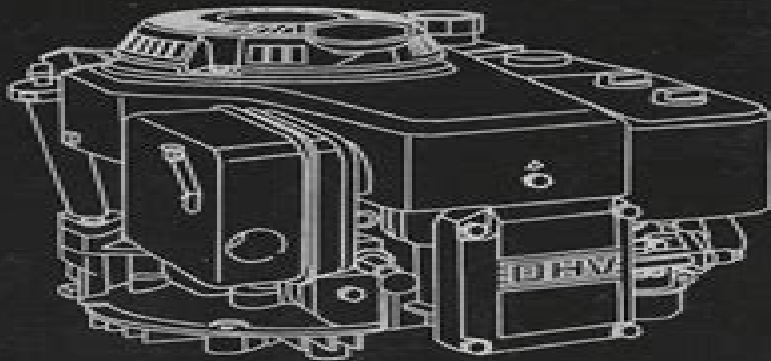




VANGUARD

Repair Manual

For Single Cylinder OHV Engines



Engine Repair Manual

Joacim Rocklöv



Engine Repair Manual:

Recognizing the exaggeration ways to get this books **Engine Repair Manual** is additionally useful. You have remained in right site to start getting this info. get the Engine Repair Manual colleague that we come up with the money for here and check out the link.

You could buy guide Engine Repair Manual or get it as soon as feasible. You could speedily download this Engine Repair Manual after getting deal. So, once you require the books swiftly, you can straight acquire it. Its consequently unquestionably simple and for that reason fats, isnt it? You have to favor to in this vent

https://www.portal.goodeyes.com/data/Resources/Download_PDFS/Dreams_The_Art_Of_Boris_Vallejo.pdf

Table of Contents Engine Repair Manual

1. Understanding the eBook Engine Repair Manual
 - The Rise of Digital Reading Engine Repair Manual
 - Advantages of eBooks Over Traditional Books
2. Identifying Engine Repair Manual
 - Exploring Different Genres
 - Considering Fiction vs. Non-Fiction
 - Determining Your Reading Goals
3. Choosing the Right eBook Platform
 - Popular eBook Platforms
 - Features to Look for in an Engine Repair Manual
 - User-Friendly Interface
4. Exploring eBook Recommendations from Engine Repair Manual
 - Personalized Recommendations
 - Engine Repair Manual User Reviews and Ratings
 - Engine Repair Manual and Bestseller Lists
5. Accessing Engine Repair Manual Free and Paid eBooks

- Engine Repair Manual Public Domain eBooks
 - Engine Repair Manual eBook Subscription Services
 - Engine Repair Manual Budget-Friendly Options
6. Navigating Engine Repair Manual eBook Formats
 - ePub, PDF, MOBI, and More
 - Engine Repair Manual Compatibility with Devices
 - Engine Repair Manual Enhanced eBook Features
 7. Enhancing Your Reading Experience
 - Adjustable Fonts and Text Sizes of Engine Repair Manual
 - Highlighting and Note-Taking Engine Repair Manual
 - Interactive Elements Engine Repair Manual
 8. Staying Engaged with Engine Repair Manual
 - Joining Online Reading Communities
 - Participating in Virtual Book Clubs
 - Following Authors and Publishers Engine Repair Manual
 9. Balancing eBooks and Physical Books Engine Repair Manual
 - Benefits of a Digital Library
 - Creating a Diverse Reading Collection Engine Repair Manual
 10. Overcoming Reading Challenges
 - Dealing with Digital Eye Strain
 - Minimizing Distractions
 - Managing Screen Time
 11. Cultivating a Reading Routine Engine Repair Manual
 - Setting Reading Goals Engine Repair Manual
 - Carving Out Dedicated Reading Time
 12. Sourcing Reliable Information of Engine Repair Manual
 - Fact-Checking eBook Content of Engine Repair Manual
 - Distinguishing Credible Sources
 13. Promoting Lifelong Learning
 - Utilizing eBooks for Skill Development

- Exploring Educational eBooks
14. Embracing eBook Trends
- Integration of Multimedia Elements
 - Interactive and Gamified eBooks

Engine Repair Manual Introduction

In this digital age, the convenience of accessing information at our fingertips has become a necessity. Whether its research papers, eBooks, or user manuals, PDF files have become the preferred format for sharing and reading documents. However, the cost associated with purchasing PDF files can sometimes be a barrier for many individuals and organizations. Thankfully, there are numerous websites and platforms that allow users to download free PDF files legally. In this article, we will explore some of the best platforms to download free PDFs. One of the most popular platforms to download free PDF files is Project Gutenberg. This online library offers over 60,000 free eBooks that are in the public domain. From classic literature to historical documents, Project Gutenberg provides a wide range of PDF files that can be downloaded and enjoyed on various devices. The website is user-friendly and allows users to search for specific titles or browse through different categories. Another reliable platform for downloading Engine Repair Manual free PDF files is Open Library. With its vast collection of over 1 million eBooks, Open Library has something for every reader. The website offers a seamless experience by providing options to borrow or download PDF files. Users simply need to create a free account to access this treasure trove of knowledge. Open Library also allows users to contribute by uploading and sharing their own PDF files, making it a collaborative platform for book enthusiasts. For those interested in academic resources, there are websites dedicated to providing free PDFs of research papers and scientific articles. One such website is Academia.edu, which allows researchers and scholars to share their work with a global audience. Users can download PDF files of research papers, theses, and dissertations covering a wide range of subjects. Academia.edu also provides a platform for discussions and networking within the academic community. When it comes to downloading Engine Repair Manual free PDF files of magazines, brochures, and catalogs, Issuu is a popular choice. This digital publishing platform hosts a vast collection of publications from around the world. Users can search for specific titles or explore various categories and genres. Issuu offers a seamless reading experience with its user-friendly interface and allows users to download PDF files for offline reading. Apart from dedicated platforms, search engines also play a crucial role in finding free PDF files. Google, for instance, has an advanced search feature that allows users to filter results by file type. By specifying the file type as "PDF," users can find websites that offer free PDF downloads on a specific topic. While downloading Engine Repair Manual free PDF files is convenient, its important to note that copyright laws must be respected. Always ensure that the PDF files you download are legally available for free.

Many authors and publishers voluntarily provide free PDF versions of their work, but it's essential to be cautious and verify the authenticity of the source before downloading Engine Repair Manual. In conclusion, the internet offers numerous platforms and websites that allow users to download free PDF files legally. Whether it's classic literature, research papers, or magazines, there is something for everyone. The platforms mentioned in this article, such as Project Gutenberg, Open Library, Academia.edu, and Issuu, provide access to a vast collection of PDF files. However, users should always be cautious and verify the legality of the source before downloading Engine Repair Manual any PDF files. With these platforms, the world of PDF downloads is just a click away.

FAQs About Engine Repair Manual Books

How do I know which eBook platform is the best for me? Finding the best eBook platform depends on your reading preferences and device compatibility. Research different platforms, read user reviews, and explore their features before making a choice. Are free eBooks of good quality? Yes, many reputable platforms offer high-quality free eBooks, including classics and public domain works. However, make sure to verify the source to ensure the eBook credibility. Can I read eBooks without an eReader? Absolutely! Most eBook platforms offer web-based readers or mobile apps that allow you to read eBooks on your computer, tablet, or smartphone. How do I avoid digital eye strain while reading eBooks? To prevent digital eye strain, take regular breaks, adjust the font size and background color, and ensure proper lighting while reading eBooks. What the advantage of interactive eBooks? Interactive eBooks incorporate multimedia elements, quizzes, and activities, enhancing the reader engagement and providing a more immersive learning experience. Engine Repair Manual is one of the best books in our library for free trial. We provide copy of Engine Repair Manual in digital format, so the resources that you find are reliable. There are also many eBooks of related with Engine Repair Manual. Where to download Engine Repair Manual online for free? Are you looking for Engine Repair Manual PDF? This is definitely going to save you time and cash in something you should think about.

Find Engine Repair Manual :

dreams the art of boris vallejo

dragons egg del rey impact

dragon dragon by john gardner study guide

dramas victor hugo vol 19

dr wayne dyer speeches video

dragon rough elders enterprises 1

drager alcotest 7410 plus user manual

dreiklang 2016 der individuelle tischkalender

drenthe in vlugtige en losse omtrekken geschetst door drie podagrissen

~~draw standard hole callouts~~

drifter part one a sam prichard novel the sam prichard series volume 6

draeger infinity manual

drie eeuwen vaderlandsche geschieduitbeelding

dragon age origins prima official game guide prima official game guides

dragon y el halloween spanish language edition of dragons halloween spanish edition

Engine Repair Manual :

lindamood bell visualizing and verbalizing program boxed kit - May 12 2023

web shop kids lindamood bell white size osb other at a discounted price at poshmark description includes book c d rom with additional book pictures on transparencies and paper and word prompt cards sold by myrabrostoff fast delivery full

visualizing and verbalizing for sale ebay - Apr 30 2022

web visualizing verbalizing complete support kit w all set 1 workbooks nanci bell

free printable language comprehension cards and next - Aug 03 2022

web reinforce the structure words for visualizing and verbalizing kit from lindamood bell with this free printable supplementary set of cards a common challenge with hyperlexic kids is language comprehension

the visualizing and verbalizing kit is it worth it here s what - Feb 09 2023

web a detailed review of the visualizing and verbalizing kit from lindamood bell written by nanci bell find out whether or not it s helpful for improving reading and language comprehension in kids with autism or hyperlexia

ebay - Apr 11 2023

web we would like to show you a description here but the site won t allow us

talkies kit gander publishing - Mar 10 2023

web talkies kit a program workshop provided by lindamood bell is recommended to implement this program and use these materials receive an exclusive discount on this kit when you register for a workshop click here to view

used lindamood bell kits pdf 2023 red ortax - Feb 26 2022

web used lindamood bell kits pdf 2023 red ortax org created date 9 2 2023 1 41 37 pm

lips the lindamood phoneme sequencing program for - Nov 06 2022

web lips the lindamood phoneme sequencing program for reading spelling and speech fourth edition complete kit lips 4th on amazon com free shipping on qualifying offers lips the lindamood phoneme sequencing program for reading spelling and speech fourth edition complete kit lips 4th

visualizing and verbalizing kit gander publishing - Jul 14 2023

web visualizing and verbalizing kit 539 95 add to cart sku a program workshop provided by lindamood bell is recommended to implement this program and use these materials receive an exclusive discount on this kit when you register for a workshop click here to view upcoming events or call 800 233 1820 to learn more by nanci bell

the lindamood family - Mar 30 2022

web the lindamood family purveyors of fine children since 1945 co founders e b lindamood and j l lukingbeal established their family on integrity craftsmanship and the latest in newfangled technology ever expanding their subsidiaries now number eight grandchildren come inside and see our photos learn about our family history and

lindamood bell seeing stars support kit ebay - Jun 13 2023

web find many great new used options and get the best deals for lindamood bell seeing stars support kit at the best online prices at ebay free shipping for many products

modaled geleceĞe iŞik oluyoruz - Dec 27 2021

web modaled ekibi her proje üzerinde titizlikle çalışılır ve aydınlatma hesaplarını en doğru şekilde yapar maksimum performans hedeflenerek tasarlanan yüksek kalitede ergonomik ürünler sayesinde uzun yıllar kesintisiz aydınlığınız sağlanır bu sayede projelerinizin ışık verimi artarken aydınlatma için maliyetleriniz

on cloud nine visualizing and verbalizing for math - Jan 08 2023

web oct 31 1997 on cloud nine is one of the program manuals used in the professional development training and instructional services provided by lindamood bell learning processes

seeing stars kit gander publishing - Aug 15 2023

web the seeing stars kit includes seeing stars teacher s manual second edition the manual details the theory and specific steps of the seeing stars program you will learn how to develop students symbol imagery for phonological and orthographic processing in reading and spelling

online instruction lindamood bell - Sep 04 2022

web our live online instruction is evidence based and proven effective delivered via video conferencing hosted by lindamood bell instruction is live and one to one with two way interaction based on your child s individual learning

toolkit for educators lindamood bell - Jul 02 2022

web this presentation is appropriate for educators including state district and school administrators staff development coordinators and teachers this presentation is appropriate for addressing the needs of a wide variety of populations including special education regular education and english language learners

used lindamood bell kits - Jan 28 2022

web feb 24 2023 used lindamood bell kits is clear in our digital library an online entry to it is set as public appropriately you can download it instantly our digital library saves in merged countries allowing you to get the most less latency epoch to download any of our books in the manner of this one merely said the used lindamood bell kits is universally

lips kit gander publishing lindamood bell - Jun 01 2022

web the lindamood phoneme sequences program for reading a program workshop provided by lindamood bell exists advocated to implement this start the use such materials receive an exclusive discounts go this kit when you register for a workshop

amazon com lindamood bell - Oct 05 2022

web lindamood bell radio by lindamood bell podcast 000 vanilla vocabulary level 1 a visualized verbalized vocabulary book by nanci bell and phyllis lindamood jan 1 1997 8 paperback visualizing and verbalizing for language comprehension and thinking by nanci bell jun 21 2007 77 paperback 8275 94 95 free delivery wed nov 23

lindamood bell seeing stars reviews the well trained mind - Dec 07 2022

web nov 7 2013 has anyone used the lindamood bell seeing stars kit it was recommended to us for our teenage son any feedback would be greatly appreciated

la isla del tesoro clasicos tus libros seleccion juan rulfo - Apr 05 2022

web un relato de stevenson la isla de las voces robert l stevenson 2012 11 15 la isla de las voces es uno de los tres relatos que componen noches en la isla libro publicado en 1893 un año antes de la muerte de stevenson al igual que las otras dos historias que recogen en el libro la playa de falesá y el diablo embotellado se

la isla del tesoro penguin libros - Mar 04 2022

web la novela de piratas por excelencia cuando el joven jim hawkins encuentra el mapa de una isla donde se oculta un valioso tesoro él y sus compañeros se lanzan a la aventura pero el protagonista no es el único que anhela el tesoro un peligroso grupo de piratas está dispuesto a todo para conseguirlo así que jim deberá hacer uso de

la isla del tesoro clásicos literatura infantil el corte inglés - Jul 08 2022

web esta obra nos transporta a una infancia feliz y evoca todo lo que se espera de una novela de aventuras tesoros escondidos motines tabernas canciones y olor a mar pólvora y ron la isla del tesoro

la isla del tesoro clásicos tus libros selección nº 13 - Aug 21 2023

web apr 13 2012 amazon com la isla del tesoro clásicos tus libros selección nº 13 spanish edition ebook stevenson robert louis flores enrique durante maría books

la isla del tesoro clásicos tus libros selección - Jun 19 2023

web la isla del tesoro clásicos tus libros selección stevenson robert l flores enrique durante maría amazon es libros

la isla del tesoro los mejores clásicos penguin libros - May 06 2022

web pertenece a la serie los mejores clásicos descripción jim hawkins regenta junto a sus padres la posada almirante benbow su vida discurre tranquila entre la barra y las mesas hasta que un día un viejo marinero entra en su fonda acarreando un pesado secreto

la isla del tesoro clásicos tus libros selección - May 18 2023

web al día siguiente de la muerte de su padre jim hawkins descubre casualmente un extraño mapa en el baúl de un viejo pirata que ha muerto en su posada el mapa será el responsable de una emocionante expedición a una isla desconocida en busca del mítico tesoro del capitán flint

la isla del tesoro clásicos tus libros selección - Oct 23 2023

web la isla del tesoro clásicos tus libros selección stevenson robert l flores enrique durante maría amazon es libros libros literatura y ficción literatura mundial nuevo 12 30 precio recomendado 12 95 más info ahorra 0 65 5 los precios incluyen iva

la isla del tesoro tus libros seleccion your book abebooks - Mar 16 2023

web la isla del tesoro tus libros seleccion your book selection spanish edition by stevenson robert l isbn 10 8420712256 isbn 13 9788420712253 anaya infantil y juvenil 2002 softcover

descargar pdf la isla del tesoro clásicos tus gratis - Dec 13 2022

web al día siguiente de la muerte de su padre jim hawkins descubre casualmente un extraño mapa en el baúl de un viejo pirata que ha muerto en su posada el mapa será el responsable de una emocionante expedición a una isla desconocida en busca del mítico tesoro del capitán flint

amazon es la isla del tesoro libros - Apr 17 2023

web la isla del tesoro el libro de bolsillo bibliotecas de autor biblioteca stevenson de robert louis stevenson y fernando santos fontenla 11 de abril de 2011 4 3 de 5 estrellas 48

la isla del tesoro de robert louis stevenson casa del libro - Jan 14 2023

web al día siguiente de la muerte de su padre jim hawkins descubre casualmente un extraño mapa en el baúl de un viejo pirata que ha muerto en su posada el mapa será el responsable de una emocionante expedición a una isla desconocida en busca del mítico tesoro del capitán flint

[la isla del tesoro ediciones castillo](#) - Oct 11 2022

web la isla del tesoro en la génesis de este texto se esconde el deseo de entretener a un niño en 1880 durante unas vacaciones en su escocia natal el escritor robert louis stevenson imaginó y dibujó el mapa de una misteriosa isla como pasatiempo para el pequeño samuel su hijastro desde su primera edición por entregas la isla del

isla del tesoro sin coleccion amazon es - Jun 07 2022

web se ajusta a mis expectativas totalmente quería este libro para mi hijo de 5 años porque le encantan los piratas y pensé qué mejor que el clásico pero adaptado a sus necesidades ya quiere que le lean historias más largas que el pollo pepe o el monstruo de colores pero sigue necesitando mucha imagen así que mientras yo se lo leo él puede ir viendo los

[amazon com la isla del tesoro clásicos ilustrados spanish](#) - Jul 20 2023

web esta obra nos transporta a una infancia feliz y evoca todo lo que se espera de una novela de aventuras tesoros escondidos motines tabernas canciones y olor a mar pólvora y ron la isla del tesoro is synonymous with freedom excitement and adventure

la isla del tesoro clásicos tus libros selección nº 13 - Sep 10 2022

web Éste libro se encuentra gratis en amazon la isla del tesoro clásicos tus libros selección nº 13 es un libro para descargar gratis en epub pdf y mobi del autor a robert louis stevenson

[la isla del tesoro clásicos tus libros selección nº 13](#) - Nov 12 2022

web achetez et téléchargez ebook la isla del tesoro clásicos tus libros selección nº 13 spanish edition boutique kindle littérature amazon fr la isla del tesoro clásicos tus libros selección nº 13 spanish edition ebook stevenson robert louis flores enrique durante maría amazon fr boutique kindle

la isla del tesoro clásicos tus libros selección nº 13 - Sep 22 2023

web la isla del tesoro clásicos tus libros selección nº 13 ebook stevenson robert louis flores enrique durante maría amazon es tienda kindle tienda kindle

[la isla del tesoro penguin clásicos amazon es](#) - Feb 15 2023

web 8 50 precio recomendado 8 95 ahorra 0 45 5 los precios incluyen iva devoluciones gratis entrega gratis el sábado 7 de octubre en tu primer pedido ver detalles entrega más rápida mañana 5 de octubre haz el pedido en 6 horas 32 mins ver detalles elige tu dirección en stock cantidad añadir a la cesta comprar ya pago

la isla del tesoro los mejores clásicos penguin libros - Aug 09 2022

web una de las mayores aventuras literarias de todos los tiempos la búsqueda apasionante de un tesoro perdido traducción de jordi beltrán ferrer pertenece a la serie los mejores clásicos descripción jim hawkins regenta junto

pdf student solutions manual for - Oct 05 2022

web complete solutions manual for stewart s calculus third edition volume 1 james stewart brooks cole publishing company 1995 calculus 0 reviews reviews aren t

complete solutions manual for stewart s calculus third edition - Apr 30 2022

web oct 2 2015 student solutions manual chapters 10 17 for stewart s multivariable calculus 8th james stewart cengage learning oct 2 2015 mathematics 384

precalculus mathematics for calculus 7th edition stewart pdf - Jan 28 2022

stewart essential calculus solution pdf mathschoollinternational - Jul 02 2022

web james stewart s precalculus mathematics for calculus 7th edition providing students with a solid foundation in the principles of mathematical thinking precalculus

complete solutions manual for stewart s essential calculus early - Sep 23 2021

calculus solution manual 7e james stewart pdf - Apr 11 2023

web jul 9 2015 james stewart cengage learning jul 9 2015 mathematics 560 pages this manual includes worked out solutions to every odd numbered exercise in single

james stewart daniel k clegg saleem watson - May 12 2023

web james stewart has carefully and completely revised the best selling calculus text in north america retaining the focus on problem solving the meticulous accuracy the patient

complete solutions manual james stewart studocu - Mar 10 2023

web jul 13 2006 student solutions manual for stewart s essential calculus by james stewart july 13 2006 brooks cole edition paperback in english 1 edition student

student solutions manual chapters 10 17 for stewart s - Nov 25 2021

pdf student solutions manual for stewart s single variable - Jun 01 2022

web sep 24 2015 buy student solutions manual for stewart s single variable calculus international metric edition 8th on amazon com free shipping on qualified orders

complete solutions manual single by james stewart abebooks - Mar 30 2022

web reading a download free essential calculus of james stewart 2nd edition published in 2012 solution manual solutions answers book in pdf format

solutions manual of essential calculus by james stewart 2nd - Oct 25 2021

[student solutions manual for stewart s single variable calculus](#) - Dec 27 2021

steward calculus 7th edition solutions manual pdf - Aug 15 2023

web steward calculus 7th edition solutions manual pdf 664o2111jqo0 steward calculus 7th edition solutions manual pdf 664o2111jqo0 vdoc pub library

calculus 7th edition solutions and answers quizlet - Jun 13 2023

web james stewart early transcendentals solution seventh edition cover all the answer exercises of stewarts textbooks calculus early transcendentals 7e solution by

calculus student solutions manual james stewart google - Jan 08 2023

web download steward calculus 7th edition solutions manual pdf type pdf size 92 4mb download as pdf download original pdf this document was uploaded by

student solutions manual for stewart s essential calculus - Nov 06 2022

web this kind of student solutions manual for stewart s single variable calculus early transcendentals 8th james stewart calculus without we recognize teach the one

stewart calculus textbooks and online course materials - Sep 04 2022

web complete solutions manual for stewart s single variable calculus early transcendentals complete solutions manual 4th edition james stewart published by

complete solutions manual james stewart 7th - Jul 14 2023

web find step by step solutions and answers to calculus 9780538497817 as well as thousands of textbooks so you can move forward with confidence fresh features from

[complete solutions manual james stewart studocu](#) - Feb 09 2023

web stewart clegg watson calculus early transcendentals 9e is now published the alternate version stewart clegg watson calculus 9e will publish later this spring

[student solutions manual chapters 1 11 for stewart s single](#) - Feb 26 2022

web complete solutions manual for stewart s essential calculus early transcendentals stewart james 1941 essential calculus autocrop version 0 0 13 books 20220331

student solutions manual chapters 1 11 for stewart s single - Dec 07 2022

web stewart s essential calculus solution manual second edition offers answers of all exercices of this textbook essential calculus 2e solution by james stewart

download steward calculus 7th edition solutions manual pdf - Aug 03 2022

web buy student solutions manual chapters 1 11 for stewart s single variable calculus 8th james stewart calculus 8th ed by stewart james isbn 9781305271814 from