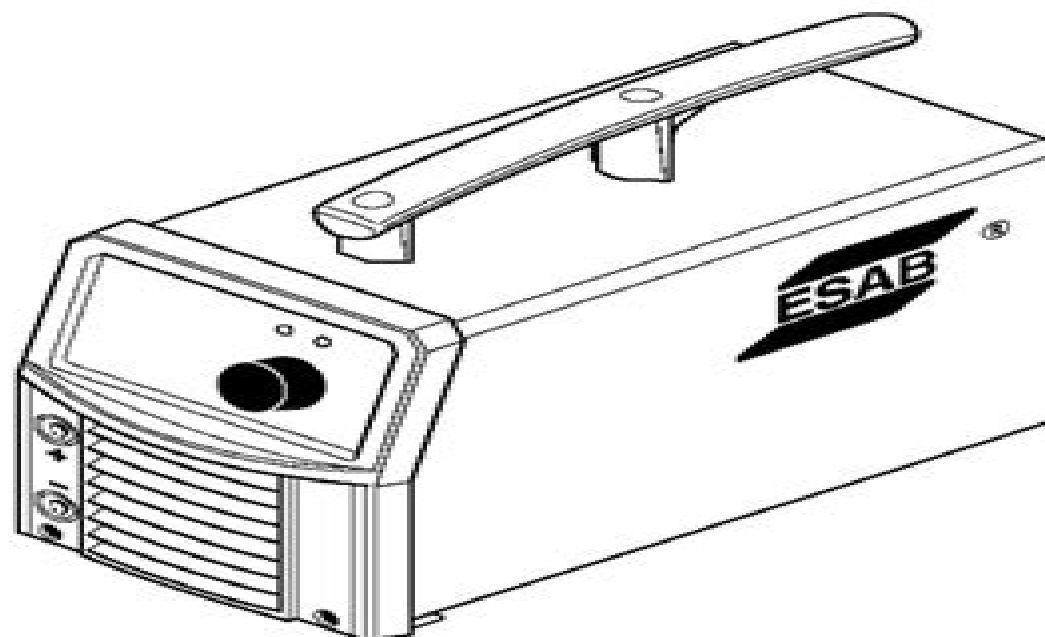




Origo™ Arc 150i



Service manual

Esab Origo 150 Manual

Motorradwerk. Zschopau



Esab Origo 150 Manual:

Honda 125, 150 Shop Manual ,197? Shop manual SH125/150 Honda,Legoprint,2005 *Owner Manual for the*
Motorcycle Makes ETZ 125, ETZ 150, ETZ 251 and ETZ 301 Motorradwerk. Zschopau,1990 **Repair Manual for the MZ**
Motor-cycles ETZ 125 and ETZ 150 ,1987 Vespa 150cc Standard ,1961

Embark on a transformative journey with Written by is captivating work, **Esab Origo 150 Manual** . This enlightening ebook, available for download in a convenient PDF format Download in PDF: , invites you to explore a world of boundless knowledge. Unleash your intellectual curiosity and discover the power of words as you dive into this riveting creation. Download now and elevate your reading experience to new heights .

<https://www.portal.goodeyes.com/results/detail/HomePages/Cusersbejovideostesfull1%20000338txt.pdf>

Table of Contents Esab Origo 150 Manual

1. Understanding the eBook Esab Origo 150 Manual
 - The Rise of Digital Reading Esab Origo 150 Manual
 - Advantages of eBooks Over Traditional Books
2. Identifying Esab Origo 150 Manual
 - Exploring Different Genres
 - Considering Fiction vs. Non-Fiction
 - Determining Your Reading Goals
3. Choosing the Right eBook Platform
 - Popular eBook Platforms
 - Features to Look for in an Esab Origo 150 Manual
 - User-Friendly Interface
4. Exploring eBook Recommendations from Esab Origo 150 Manual
 - Personalized Recommendations
 - Esab Origo 150 Manual User Reviews and Ratings
 - Esab Origo 150 Manual and Bestseller Lists
5. Accessing Esab Origo 150 Manual Free and Paid eBooks
 - Esab Origo 150 Manual Public Domain eBooks
 - Esab Origo 150 Manual eBook Subscription Services
 - Esab Origo 150 Manual Budget-Friendly Options

6. Navigating Esab Origo 150 Manual eBook Formats
 - ePub, PDF, MOBI, and More
 - Esab Origo 150 Manual Compatibility with Devices
 - Esab Origo 150 Manual Enhanced eBook Features
7. Enhancing Your Reading Experience
 - Adjustable Fonts and Text Sizes of Esab Origo 150 Manual
 - Highlighting and Note-Taking Esab Origo 150 Manual
 - Interactive Elements Esab Origo 150 Manual
8. Staying Engaged with Esab Origo 150 Manual
 - Joining Online Reading Communities
 - Participating in Virtual Book Clubs
 - Following Authors and Publishers Esab Origo 150 Manual
9. Balancing eBooks and Physical Books Esab Origo 150 Manual
 - Benefits of a Digital Library
 - Creating a Diverse Reading Collection Esab Origo 150 Manual
10. Overcoming Reading Challenges
 - Dealing with Digital Eye Strain
 - Minimizing Distractions
 - Managing Screen Time
11. Cultivating a Reading Routine Esab Origo 150 Manual
 - Setting Reading Goals Esab Origo 150 Manual
 - Carving Out Dedicated Reading Time
12. Sourcing Reliable Information of Esab Origo 150 Manual
 - Fact-Checking eBook Content of Esab Origo 150 Manual
 - Distinguishing Credible Sources
13. Promoting Lifelong Learning
 - Utilizing eBooks for Skill Development
 - Exploring Educational eBooks
14. Embracing eBook Trends
 - Integration of Multimedia Elements

- Interactive and Gamified eBooks

Esab Origo 150 Manual Introduction

In the digital age, access to information has become easier than ever before. The ability to download Esab Origo 150 Manual has revolutionized the way we consume written content. Whether you are a student looking for course material, an avid reader searching for your next favorite book, or a professional seeking research papers, the option to download Esab Origo 150 Manual has opened up a world of possibilities. Downloading Esab Origo 150 Manual provides numerous advantages over physical copies of books and documents. Firstly, it is incredibly convenient. Gone are the days of carrying around heavy textbooks or bulky folders filled with papers. With the click of a button, you can gain immediate access to valuable resources on any device. This convenience allows for efficient studying, researching, and reading on the go. Moreover, the cost-effective nature of downloading Esab Origo 150 Manual has democratized knowledge. Traditional books and academic journals can be expensive, making it difficult for individuals with limited financial resources to access information. By offering free PDF downloads, publishers and authors are enabling a wider audience to benefit from their work. This inclusivity promotes equal opportunities for learning and personal growth. There are numerous websites and platforms where individuals can download Esab Origo 150 Manual. These websites range from academic databases offering research papers and journals to online libraries with an expansive collection of books from various genres. Many authors and publishers also upload their work to specific websites, granting readers access to their content without any charge. These platforms not only provide access to existing literature but also serve as an excellent platform for undiscovered authors to share their work with the world. However, it is essential to be cautious while downloading Esab Origo 150 Manual. Some websites may offer pirated or illegally obtained copies of copyrighted material. Engaging in such activities not only violates copyright laws but also undermines the efforts of authors, publishers, and researchers. To ensure ethical downloading, it is advisable to utilize reputable websites that prioritize the legal distribution of content. When downloading Esab Origo 150 Manual, users should also consider the potential security risks associated with online platforms. Malicious actors may exploit vulnerabilities in unprotected websites to distribute malware or steal personal information. To protect themselves, individuals should ensure their devices have reliable antivirus software installed and validate the legitimacy of the websites they are downloading from. In conclusion, the ability to download Esab Origo 150 Manual has transformed the way we access information. With the convenience, cost-effectiveness, and accessibility it offers, free PDF downloads have become a popular choice for students, researchers, and book lovers worldwide. However, it is crucial to engage in ethical downloading practices and prioritize personal security when utilizing online platforms. By doing so, individuals can make the most of the vast array of free PDF resources available and embark on a journey of continuous learning and intellectual growth.

FAQs About Esab Origo 150 Manual Books

1. Where can I buy Esab Origo 150 Manual books? Bookstores: Physical bookstores like Barnes & Noble, Waterstones, and independent local stores. Online Retailers: Amazon, Book Depository, and various online bookstores offer a wide range of books in physical and digital formats.
2. What are the different book formats available? Hardcover: Sturdy and durable, usually more expensive. Paperback: Cheaper, lighter, and more portable than hardcovers. E-books: Digital books available for e-readers like Kindle or software like Apple Books, Kindle, and Google Play Books.
3. How do I choose a Esab Origo 150 Manual book to read? Genres: Consider the genre you enjoy (fiction, non-fiction, mystery, sci-fi, etc.). Recommendations: Ask friends, join book clubs, or explore online reviews and recommendations. Author: If you like a particular author, you might enjoy more of their work.
4. How do I take care of Esab Origo 150 Manual books? Storage: Keep them away from direct sunlight and in a dry environment. Handling: Avoid folding pages, use bookmarks, and handle them with clean hands. Cleaning: Gently dust the covers and pages occasionally.
5. Can I borrow books without buying them? Public Libraries: Local libraries offer a wide range of books for borrowing. Book Swaps: Community book exchanges or online platforms where people exchange books.
6. How can I track my reading progress or manage my book collection? Book Tracking Apps: Goodreads, LibraryThing, and Book Catalogue are popular apps for tracking your reading progress and managing book collections. Spreadsheets: You can create your own spreadsheet to track books read, ratings, and other details.
7. What are Esab Origo 150 Manual audiobooks, and where can I find them? Audiobooks: Audio recordings of books, perfect for listening while commuting or multitasking. Platforms: Audible, LibriVox, and Google Play Books offer a wide selection of audiobooks.
8. How do I support authors or the book industry? Buy Books: Purchase books from authors or independent bookstores. Reviews: Leave reviews on platforms like Goodreads or Amazon. Promotion: Share your favorite books on social media or recommend them to friends.
9. Are there book clubs or reading communities I can join? Local Clubs: Check for local book clubs in libraries or community centers. Online Communities: Platforms like Goodreads have virtual book clubs and discussion groups.
10. Can I read Esab Origo 150 Manual books for free? Public Domain Books: Many classic books are available for free as they're in the public domain. Free E-books: Some websites offer free e-books legally, like Project Gutenberg or Open Library.

Find Esab Origo 150 Manual :

c:\users\bejo\videos\tes\full1_000338.txt
c:\users\bejo\videos\tes\full1_000102.txt
c:\users\bejo\videos\tes\kw_000118.txt
c:\users\bejo\videos\tes\kw_000056.txt
c:\users\bejo\videos\tes\full1_001629.txt
c:\users\bejo\videos\tes\full1_001353.txt
c:\users\bejo\videos\tes\full1_001425.txt
c:\users\bejo\videos\tes\full1_001312.txt
c:\users\bejo\videos\tes\full1_000174.txt
c:\users\bejo\videos\tes\943K_Filtered_KWMixed_002188.txt
c:\users\bejo\videos\tes\full1_000232.txt
c:\users\bejo\videos\tes\full1_001269.txt
c:\users\bejo\videos\tes\943K_Filtered_KWMixed_002425.txt
c:\users\bejo\videos\tes\kw_000440.txt
c:\users\bejo\videos\tes\full1_001744.txt

Esab Origo 150 Manual :

mammals coloring pages free coloring pages - Jul 03 2022

web mammals coloring pages let us introduce your child into the world of mammals choose any free printable coloring page among hundreds of cute farm and wild animals rainforest animals sea and ocean animals jungle and zoo baby animals and many more

mosaic free coloring pages crayola com - Aug 04 2022

web browse coloring page categories adult coloring intricate designs show all celebrations 64 count crayon birthday asian american pacific islander heritage month birthday parties graduation

10 000 top mosaic colouring sheets teaching resources - Oct 06 2022

web new zealand magenta green sight words mosaic colouring sheets pack 5 0 1 review aistear mosaic na nollag worksheet explore more than 10 000 mosaic colouring sheets resources for teachers parents and pupils as well as related resources on colouring help

mosaic animals on pinterest - May 01 2022

web mosiac collage art projects painting collage stained glass glass art mosaic art projects mosaic animals floral mosaic puppy mosaic art hand crafted puppy mosaic art it s

cindyklantrip pinterest - Jan 29 2022

web may 26 2023 explore cindy lantrip s board mosaics animals followed by 484 people on pinterest see more ideas about mosaic animals mosaic art mosaic

10 000 top animal mosaic coloring teaching resources twinkl - Mar 11 2023

web instant access to inspirational lesson plans schemes of work assessment interactive activities resource packs powerpoints teaching ideas at twinkl

3 145 top animals colouring in mosaic teaching resources - Jan 09 2023

web recently viewed and downloaded recently viewed recently downloaded

10 000 top animal mosaic picture teaching resources twinkl - Sep 05 2022

web explore more than 10 000 animal mosaic picture resources for teachers parents and pupils

animal mosaic hi res stock photography and images alamy - Dec 28 2021

web find the perfect animal mosaic stock photo image vector illustration or 360 image available for both rf and rm licensing save up to 30 when you upgrade to an image pack

mosaic animal coloring pages creative fabrica - Nov 07 2022

web may 4 2023 click here and download the mosaic animal coloring pages graphic window mac linux last updated 2023 commercial licence included

mosaic coloring pages of animals coloring home - Jun 14 2023

web mosaic coloring pages of animals download and print these mosaic of animals coloring pages for free printable mosaic of animals coloring pages are a fun way for kids of all ages to develop creativity focus motor skills and color recognition

200 mosaic animal pictures freepik - Feb 27 2022

web you can find download the most popular mosaic animal photos on freepik remember that these high quality images are free for commercial use discover over 22 million stock photos

mosaic coloring pages free coloring pages - Aug 16 2023

web mosaic coloring pages select from 72858 printable coloring pages of cartoons animals nature bible and many more

farm animals mosaic colouring pages teacher made twinkl - Apr 12 2023

web these lovely farm animals mosaic colouring pages make a lovely calming activity for those early finishers wet plays mindfulness breakfast and after school clubs or quiet times ideal for a topic on animals or the farm twinkl key stage 1 year 1

year 2 educational resources related searches mosaic art farm animals mindfulness colouring ks1

[jungle animals mosaic colouring pages teacher made twinkl](#) - May 13 2023

web can children bring these lovely jungle animal illustrations to life by adding colours to these exciting jungle animals mosaic colouring pages

amazon com creative haven animal mosaics coloring book - Dec 08 2022

web dec 17 2014 over 30 animal mosaic designs to color rendered in the multifaceted style of mosaic art these 31 detailed illustrations provide a wealth of imaginative possibilities for coloring full page pictures include birds squirrels hippos foxes frogs and a bevy of other creatures wild and domestic

[mosaic coloring pages 100 pictures free printable raskrasil com](#) - Jul 15 2023

web great collection 100 images the king of beasts from the mosaic eagle on a rock gorilla in the jungle deer with branched antlers made from mosaic pieces a horse with a mane in a mosaic mosaic owl heart from geometric shapes a cat charmed by a butterfly rose ornament floral mood butterfly from geometric shapes intricate mosaic pattern

[animals coloring pages super coloring](#) - Jun 02 2022

web from the beach to desert from the circus to the sea from jungle to zoo from india to mexico from american rainforest to european lakes from wildlife to dinosaurs we have all different animals to color and even more get alphabet

mosaic animals colouring pages free colouring pages - Feb 10 2023

web showing 12 colouring pages related to mosaic animals colouring pages available are mosaic animal coloring at colorings to and color mosaic animal co

mosaic animals pictures images and stock photos - Mar 31 2022

web browse 26 800 mosaic animals stock photos and images available or start a new search to explore more stock photos and images sort by most popular mosaic blue whales with text space mosaic blue whales with text space vector illustration small mosaic tiles pattern forming a tree of life background mosaic artwork made by a mosaic artist

[sample nominations ross way staff excellence award at the](#) - Jul 15 2023

web sample nominations in order to make the nomination process more accessible the committee will accept nominations in essay or bullet point format when using either format please give detailed descriptive examples

[reward and recognition people and culture queen s](#) - Jun 02 2022

web performance awards are monetary awards given to individuals or to a team who have demonstrated sustained exceptional contribution over the last academic year 1 august 2022 31 july 2023 the nominations which are made by managers are informed by the annual personal development review pdr and ongoing pdr conversations

guidance for writing a high quality employee award nomination - Feb 10 2023

web the employee awards committee wants to help you prepare the best award nomination possible so we've asked former nominators and winners if we could share their nominations with you please find a winning nomination for the administrative staff award as well as one for the team award

award information university human resources - Mar 31 2022

web exceptional performance award nomination form for p s seu and merit staff submission of this nomination indicates the university's flexible pay policy has been reviewed and all required award nomination criteria has been confirmed

sample winning excellence award nominations excerpted brown university - May 13 2023

web sample winning excellence award nominations excerpted uhr talent development october 2020 1 of 5 dilania's dedication to exceptional programming at d abate combined with her compassion arts and performance studies taps and does a phenomenal job of that i'm not writing however to sing the praises of her department

fillable online uco employee exceptional performance award - Dec 28 2021

web employee exceptional performance award nomination form annual award application fiscal year july 2010 june 2011 purpose to create an environment within the combined divisions of administration

how to write a winning nomination letter in 4 steps - Oct 06 2022

web jul 20 2023 create a summary in your summary you can briefly summarize each of the key points in the letter you might write a full paragraph or use a bulleted list to share the nominee's specific skills or contributions you can also reiterate why you think your nominee is the best choice

nomination for outstanding performance award san - Sep 05 2022

web exceptional leadership this employee has provided leadership beyond that which is normally required of their position by taking on additional responsibilities providing training for other full time and/or student employees or by providing leadership aiding in the attainment of major goals and objectives

annual staff awards for exceptional performance and or service - Jan 09 2023

web annual staff awards for exceptional performance and or service nomination form nominee information please print clearly last name first name position department

staff appreciation and recognition star berkeley star nomination form - Jul 03 2022

web jun 30 2015 berkeley operating principles if nomination for an achievement award describe the sustained exceptional performance aspects that warrant an achievement award if the nomination is for an employee in another unit please consult with the employee's home unit regarding how the award cost will be covered

rewarding exceptional performance directorate of people and - Mar 11 2023

web completing the new rewarding exceptional performance nomination form nominations are now only accepted by

completion of the new ms forms nomination form submissions will go directly to the reward and benefits team in the first instance and then disseminated to your people od partner

[fillable online uco employee exceptional performance award nomination](#) - Jan 29 2022

web employee exceptional performance award nomination form administration and enrollment divisions october december purpose eligibility criteria to create an environment within the combined divisions

employee exceptional performance award nomination form pdf - Nov 07 2022

web employee exceptional performance award nomination form pdf pages 2 6 employee exceptional performance award nomination form pdf upload mita i robertson 2 6 downloaded from red ortax org on september 3 2023 by mita i robertson sdsu edu as sdsu edu useruploads files forms performanceaward pdf

[awards nomination form template jotform](#) - Jun 14 2023

web this employee award nomination form template will have fields that best describe the employee being nominated an employee recognition form template should also contain questions that will highlight the accomplishments of the nominees as well as their strengths when working with a team

free 5 employee nomination forms in ms word pdf excel - May 01 2022

web when you need to justify why such employee is nominated here are employee nomination forms to utilize in choosing the employee who deserves the certain award

reward recognition f o human resources the university of iowa - Feb 27 2022

web exceptional performance pay is a lump sum award and not included in the base salary exceptional performance pay is subject to taxes and paid as part of the next regular payroll the nominating department supervisor must complete the f o exceptional performance award nomination form merit

employee exceptional performance award nomination form pdf - Dec 08 2022

web employee exceptional performance award nomination form pdf introduction employee exceptional performance award nomination form pdf full pdf unc edu hr unc edu 2017 07 employee recognition program pdf file webthe program can facilitate performance improvement increased productivity and goal

award nomination form 10 examples format pdf - Apr 12 2023

web 10 award nomination form examples employee student volunteer we all have that one friend at work that does an outstanding performance in handling his or her responsibilities because of that you know how much he or she deserves to receive certificates for employee recognition staff recognition or employee appreciation at

[excellence awards survey form template jotform](#) - Aug 04 2022

web this employee award nomination form template will have fields that best describe the employee being nominated an

employee recognition form template should also contain questions that will highlight the accomplishments of the nominees as well as their strengths when working with a team

employee recognition award nomination template jotform - Aug 16 2023

web nov 30 2018 employee recognition award nomination template is prepared for an employee and filled with the details about his her performance and accomplishments during a certain period of time performance review

get material test certificate format in word 2020 2023 us - Dec 29 2021

web complete material test certificate format in word in several moments following the recommendations below choose the document template you will need from our collection of legal form samples choose the get form button to open the document and move to editing fill in all the requested boxes these are marked in yellow

material test certificate letter request orientation sutd edu - Feb 28 2022

web material test certificate letter request individual has letter of certification request 3 from the request a letter of certification menu select your state or jurisdiction and complete the requested information below

sample request letter for material testing airslate - Oct 07 2022

web collect payments for sample request letter for material testing authenticate recipients for sample request letter for material testing request attachments for sample request letter for material testing from recipients integrate sample request letter for material testing with dynamic web forms

letter for certificate template and examples docformats com - Mar 12 2023

web letter for certificate template subject request for type of certificate certificate dear recipient s name i hope this letter finds you in good health and high spirits my name is your name and i am writing to request a type of certificate certificate for purpose of certificate e g academic professional or personal

request letter for lab test results letters in english - Jun 03 2022

web december 11 2021 to the manager diagnostics center path lab laboratory hospital name address date date subject request for lab test result respected sir madam i would like to state that i attended a test given sample on date for mention test purpose

material test certificate letter request pdf uniport edu - Jan 30 2022

web aug 15 2023 material test certificate letter request as you such as by searching the title publisher or authors of guide you essentially want you can discover them rapidly in the house workplace or perhaps in your method can be

fillable material testing request letter format pdf liner com - Dec 09 2022

web get your material testing request letter format in 3 easy steps 01 fill and edit template 02 sign it online 03 export or print immediately obtain a fillable material testing request letter format you can get the form online at here at pdf liner

[material test certificates explained 2 1 2 2 3 1 and 3 2](#) - Jun 15 2023

web jul 7 2023 what is a 3 1 material certificate a 3 1 material certificate is a document that verifies the chemical and physical properties of a material the certificate is issued by an accredited testing laboratory and includes information on the material s composition mechanical properties and thermal properties

material test certificates qc inspection testing engineering - Apr 13 2023

web oct 21 2011 a material test certificate is a useless piece of paper that contains the words this thing you bought from us has been tested in accordance to some test standard the wording implies that the test passed although this often isn t the case the wording clearly states that a test has been performed although this often isn t the case

please expedite the request nrc - Sep 06 2022

web region 1 ref amendment of the license license 06 31462 01 tri state materials testing lab llc release 160 south turnpike road wallingford ct facility please expedite the request dear sir madam am requesting to release from unrestricted use wallingford ct facility from our materials license

letter to lab for testing of 10mm 20mm coarse aggregate - Jul 04 2022

web rajasthan ref letter dated 05th may 20 of m s ge with letter no ge so 5427pn094 avaada bkn 01 sir with reference to above subject we are hereby sending the samples of construction raw material for conducting tests as per below mentioned detail sample of construction test to be reference sr no acceptance norms materials

[what is a material test certificate mill test certificate hqts](#) - Jul 16 2023

web mar 10 2023 the material test report also known as a mill test certificate mtc is a document that verifies a material s chemical and physical properties typically the report should be in paper form and contain the factory quality control approval along with a special material test certificate stamp

material certificates mcmaster carr - Nov 08 2022

web certificates also known as material certificates mill test reports certified test reports and material test reports material certificates included with over 48 000 aluminum stainless steel and other metal alloy products view products

[material testing request letter format fill download for free](#) - Feb 11 2023

web are you thinking about getting material testing request letter format to fill cocodoc is the best platform for you to go offering you a great and easy to edit version of material testing request letter format as you desire

sample request letter for material testing 2014 2023 signnow - May 14 2023

web material testing request letter format fill out securely sign print or email your request letter for concrete mix design instantly with signnow start a free trial now to save time and money

material test certificate letter request - May 02 2022

web material test certificate letter request material test certificate letter request 2 downloaded from klantenhandboek dutchgiraffe.com on 2021 02 24 by guest division on engineering and physical sciences conduct a three phase study to investigate issues related to the testing of body armor materials for use by the u s army and other military *request letter template for materials sample example* - Aug 17 2023

web may 30 2019 materials request letter every business has its needs and requirements that need to be fulfilled in order to get the work process completed smoothly when it comes to fulfilling internal needs and demands it is usually done by office administration and human resource department

material test certificate letter request - Apr 01 2022

web 2 material test certificate letter request 2022 08 19 three phase study to investigate issues related to the testing of body armor materials for use by the u s army and other military departments phase i and ii resulted in two nrc letter reports one in 2009 and one in 2010 this report is phase iii in the study testing of body armor materials

how to read a material test certificate or mtc mtr with examples - Jan 10 2023

web jun 27 2023 1 material manufacturer the top of the mtc contains the name of the company that has made the materials plate pipe for example mtc contains full details about the manufacturer s name location their logo country of origin 2 heat number or lot number technical delivery conditions

request letter for concrete cube test fill out sign online dochub - Aug 05 2022

web click on new document and choose the form importing option add material testing request letter format from your device the cloud or a protected url make changes to the sample take advantage of the top and left side panel