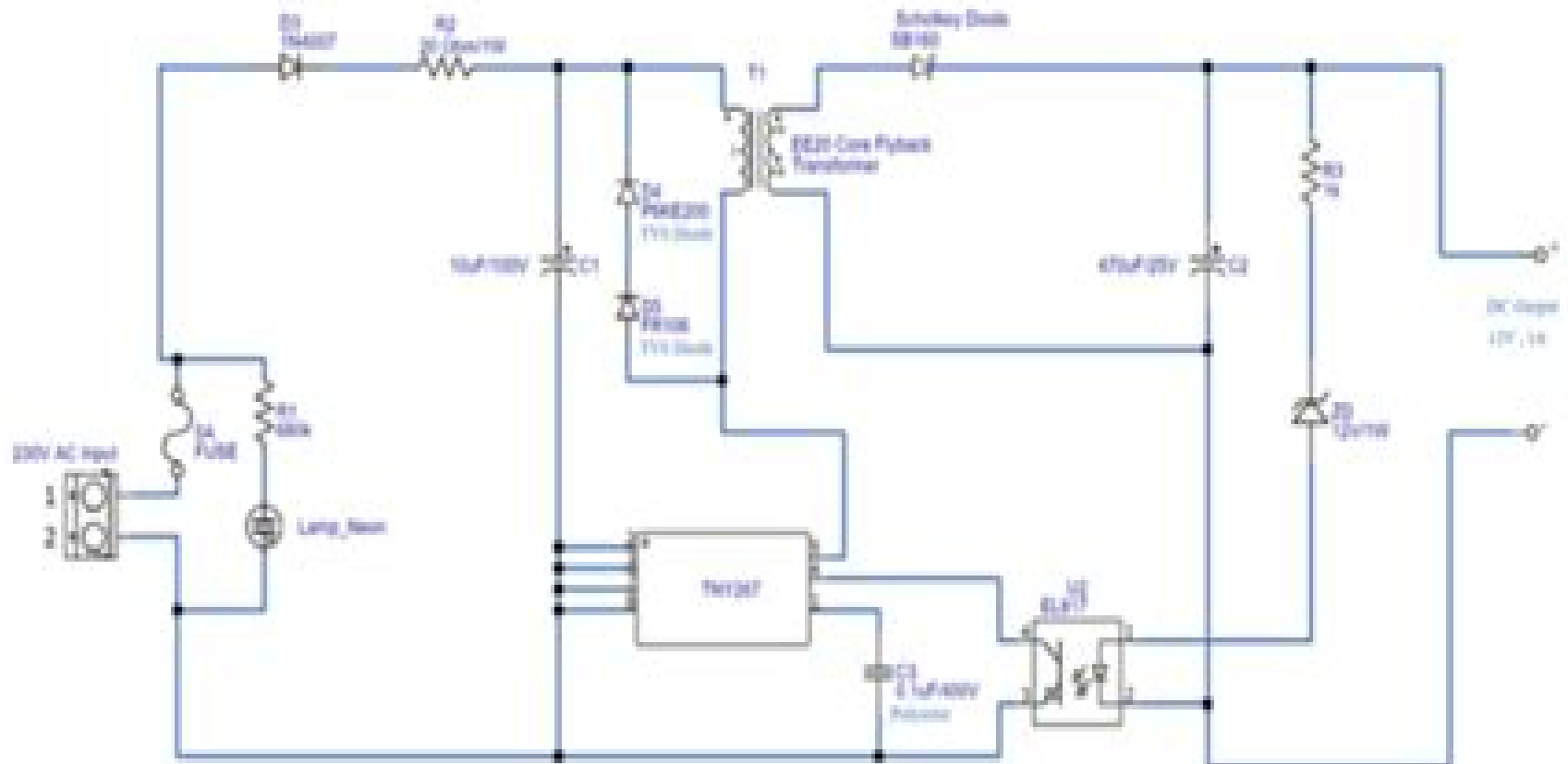


Simple SMPS Circuit



For Complete Details Visit :
www.Circuits-DIY.com

Designing And Implementation Of Smps Circuits

J Elliott



Designing And Implementation Of Smps Circuits:

As recognized, adventure as well as experience very nearly lesson, amusement, as skillfully as treaty can be gotten by just checking out a books **Designing And Implementation Of Smps Circuits** as well as it is not directly done, you could acknowledge even more in the region of this life, going on for the world.

We give you this proper as with ease as simple mannerism to acquire those all. We have enough money Designing And Implementation Of Smps Circuits and numerous books collections from fictions to scientific research in any way. in the course of them is this Designing And Implementation Of Smps Circuits that can be your partner.

https://www.portal.goodeyes.com/results/uploaded-files/Download_PDFS/girl%20guide%20thank%20you%20poems.pdf

Table of Contents Designing And Implementation Of Smps Circuits

1. Understanding the eBook Designing And Implementation Of Smps Circuits
 - The Rise of Digital Reading Designing And Implementation Of Smps Circuits
 - Advantages of eBooks Over Traditional Books
2. Identifying Designing And Implementation Of Smps Circuits
 - Exploring Different Genres
 - Considering Fiction vs. Non-Fiction
 - Determining Your Reading Goals
3. Choosing the Right eBook Platform
 - Popular eBook Platforms
 - Features to Look for in an Designing And Implementation Of Smps Circuits
 - User-Friendly Interface
4. Exploring eBook Recommendations from Designing And Implementation Of Smps Circuits
 - Personalized Recommendations
 - Designing And Implementation Of Smps Circuits User Reviews and Ratings
 - Designing And Implementation Of Smps Circuits and Bestseller Lists
5. Accessing Designing And Implementation Of Smps Circuits Free and Paid eBooks

- Designing And Implementation Of Smps Circuits Public Domain eBooks
 - Designing And Implementation Of Smps Circuits eBook Subscription Services
 - Designing And Implementation Of Smps Circuits Budget-Friendly Options
6. Navigating Designing And Implementation Of Smps Circuits eBook Formats
- ePub, PDF, MOBI, and More
 - Designing And Implementation Of Smps Circuits Compatibility with Devices
 - Designing And Implementation Of Smps Circuits Enhanced eBook Features
7. Enhancing Your Reading Experience
- Adjustable Fonts and Text Sizes of Designing And Implementation Of Smps Circuits
 - Highlighting and Note-Taking Designing And Implementation Of Smps Circuits
 - Interactive Elements Designing And Implementation Of Smps Circuits
8. Staying Engaged with Designing And Implementation Of Smps Circuits
- Joining Online Reading Communities
 - Participating in Virtual Book Clubs
 - Following Authors and Publishers Designing And Implementation Of Smps Circuits
9. Balancing eBooks and Physical Books Designing And Implementation Of Smps Circuits
- Benefits of a Digital Library
 - Creating a Diverse Reading Collection Designing And Implementation Of Smps Circuits
10. Overcoming Reading Challenges
- Dealing with Digital Eye Strain
 - Minimizing Distractions
 - Managing Screen Time
11. Cultivating a Reading Routine Designing And Implementation Of Smps Circuits
- Setting Reading Goals Designing And Implementation Of Smps Circuits
 - Carving Out Dedicated Reading Time
12. Sourcing Reliable Information of Designing And Implementation Of Smps Circuits
- Fact-Checking eBook Content of Designing And Implementation Of Smps Circuits
 - Distinguishing Credible Sources
13. Promoting Lifelong Learning
- Utilizing eBooks for Skill Development

- Exploring Educational eBooks
14. Embracing eBook Trends
- Integration of Multimedia Elements
 - Interactive and Gamified eBooks

Designing And Implementation Of Smmps Circuits Introduction

Free PDF Books and Manuals for Download: Unlocking Knowledge at Your Fingertips In today's fast-paced digital age, obtaining valuable knowledge has become easier than ever. Thanks to the internet, a vast array of books and manuals are now available for free download in PDF format. Whether you are a student, professional, or simply an avid reader, this treasure trove of downloadable resources offers a wealth of information, conveniently accessible anytime, anywhere. The advent of online libraries and platforms dedicated to sharing knowledge has revolutionized the way we consume information. No longer confined to physical libraries or bookstores, readers can now access an extensive collection of digital books and manuals with just a few clicks. These resources, available in PDF, Microsoft Word, and PowerPoint formats, cater to a wide range of interests, including literature, technology, science, history, and much more. One notable platform where you can explore and download free Designing And Implementation Of Smmps Circuits PDF books and manuals is the internet's largest free library. Hosted online, this catalog compiles a vast assortment of documents, making it a veritable goldmine of knowledge. With its easy-to-use website interface and customizable PDF generator, this platform offers a user-friendly experience, allowing individuals to effortlessly navigate and access the information they seek. The availability of free PDF books and manuals on this platform demonstrates its commitment to democratizing education and empowering individuals with the tools needed to succeed in their chosen fields. It allows anyone, regardless of their background or financial limitations, to expand their horizons and gain insights from experts in various disciplines. One of the most significant advantages of downloading PDF books and manuals lies in their portability. Unlike physical copies, digital books can be stored and carried on a single device, such as a tablet or smartphone, saving valuable space and weight. This convenience makes it possible for readers to have their entire library at their fingertips, whether they are commuting, traveling, or simply enjoying a lazy afternoon at home. Additionally, digital files are easily searchable, enabling readers to locate specific information within seconds. With a few keystrokes, users can search for keywords, topics, or phrases, making research and finding relevant information a breeze. This efficiency saves time and effort, streamlining the learning process and allowing individuals to focus on extracting the information they need. Furthermore, the availability of free PDF books and manuals fosters a culture of continuous learning. By removing financial barriers, more people can access educational resources and pursue lifelong learning, contributing to personal growth and professional development. This democratization of knowledge

promotes intellectual curiosity and empowers individuals to become lifelong learners, promoting progress and innovation in various fields. It is worth noting that while accessing free Designing And Implementation Of Smmps Circuits PDF books and manuals is convenient and cost-effective, it is vital to respect copyright laws and intellectual property rights. Platforms offering free downloads often operate within legal boundaries, ensuring that the materials they provide are either in the public domain or authorized for distribution. By adhering to copyright laws, users can enjoy the benefits of free access to knowledge while supporting the authors and publishers who make these resources available. In conclusion, the availability of Designing And Implementation Of Smmps Circuits free PDF books and manuals for download has revolutionized the way we access and consume knowledge. With just a few clicks, individuals can explore a vast collection of resources across different disciplines, all free of charge. This accessibility empowers individuals to become lifelong learners, contributing to personal growth, professional development, and the advancement of society as a whole. So why not unlock a world of knowledge today? Start exploring the vast sea of free PDF books and manuals waiting to be discovered right at your fingertips.

FAQs About Designing And Implementation Of Smmps Circuits Books

How do I know which eBook platform is the best for me? Finding the best eBook platform depends on your reading preferences and device compatibility. Research different platforms, read user reviews, and explore their features before making a choice. Are free eBooks of good quality? Yes, many reputable platforms offer high-quality free eBooks, including classics and public domain works. However, make sure to verify the source to ensure the eBook credibility. Can I read eBooks without an eReader? Absolutely! Most eBook platforms offer webbased readers or mobile apps that allow you to read eBooks on your computer, tablet, or smartphone. How do I avoid digital eye strain while reading eBooks? To prevent digital eye strain, take regular breaks, adjust the font size and background color, and ensure proper lighting while reading eBooks. What the advantage of interactive eBooks? Interactive eBooks incorporate multimedia elements, quizzes, and activities, enhancing the reader engagement and providing a more immersive learning experience. Designing And Implementation Of Smmps Circuits is one of the best book in our library for free trial. We provide copy of Designing And Implementation Of Smmps Circuits in digital format, so the resources that you find are reliable. There are also many Ebooks of related with Designing And Implementation Of Smmps Circuits. Where to download Designing And Implementation Of Smmps Circuits online for free? Are you looking for Designing And Implementation Of Smmps Circuits PDF? This is definitely going to save you time and cash in something you should think about. If you trying to find then search around for online. Without a doubt there are numerous these available and many of them have the freedom. However without doubt you receive whatever you purchase. An alternate way to get ideas is always to check another Designing And Implementation Of Smmps Circuits. This method for see exactly

what may be included and adopt these ideas to your book. This site will almost certainly help you save time and effort, money and stress. If you are looking for free books then you really should consider finding to assist you try this. Several of Designing And Implementation Of Smmps Circuits are for sale to free while some are payable. If you arent sure if the books you would like to download works with for usage along with your computer, it is possible to download free trials. The free guides make it easy for someone to free access online library for download books to your device. You can get free download on free trial for lots of books categories. Our library is the biggest of these that have literally hundreds of thousands of different products categories represented. You will also see that there are specific sites catered to different product types or categories, brands or niches related with Designing And Implementation Of Smmps Circuits. So depending on what exactly you are searching, you will be able to choose e books to suit your own need. Need to access completely for Campbell Biology Seventh Edition book? Access Ebook without any digging. And by having access to our ebook online or by storing it on your computer, you have convenient answers with Designing And Implementation Of Smmps Circuits To get started finding Designing And Implementation Of Smmps Circuits, you are right to find our website which has a comprehensive collection of books online. Our library is the biggest of these that have literally hundreds of thousands of different products represented. You will also see that there are specific sites catered to different categories or niches related with Designing And Implementation Of Smmps Circuits So depending on what exactly you are searching, you will be able to choose ebook to suit your own need. Thank you for reading Designing And Implementation Of Smmps Circuits. Maybe you have knowledge that, people have search numerous times for their favorite readings like this Designing And Implementation Of Smmps Circuits, but end up in harmful downloads. Rather than reading a good book with a cup of coffee in the afternoon, instead they juggled with some harmful bugs inside their laptop. Designing And Implementation Of Smmps Circuits is available in our book collection an online access to it is set as public so you can download it instantly. Our digital library spans in multiple locations, allowing you to get the most less latency time to download any of our books like this one. Merely said, Designing And Implementation Of Smmps Circuits is universally compatible with any devices to read.

Find Designing And Implementation Of Smmps Circuits :

girl guide thank you poems

gilera-smash manual de taller

girl interrupted free download

girl guide pictionary

ghost towns of texas

girl guide world flag coloring page

girl undercover box set parts 1 12 the complete story

gevecht in de pacific

giants and goblins troubador color and story album

gimp for absolute beginners

gilera rc 600 service manual

gift of power the life and teachings of a lakota medicine man

gewebte bilder entratselte woven images unravelled motifs

gigolo roman van een indischen jongen

girl scout daisy bridging poem

Designing And Implementation Of Smps Circuits :

fins1612 capital markets and institutions s12017 unsw - Jul 18 2023

web course outline unsw business school school of banking finance fins1612 capital markets and institutions course outline

semester 2017 part information part key mod a mod b all past hsc questions billy elliot quote analysis tutorial work 1

questions quiz 1 quiz 1 fina3307 horngren s cost accounting a managerial emphasis 16th

sovs papers made the list of the top most cited unsw sydney - Apr 03 2022

web oct 20 2023 congratulations to all the authors of the following papers our staff are highlighted as below experimental

eye research gauri shrestha ajay vijay fiona stapleton andrew white russell pickford and nicole carnt human tear metabolites

associated with nucleoside signalling pathways in bacterial keratitis experimental eye

handbook - Mar 14 2023

web learn about the structure and functions of australian financial markets and institutions in this undergraduate course

offered by unsw business school you will gain an understanding of the equity money bond futures options and exchange rate

markets as well as the regulatory and ethical issues involved enrol in fins1612 capital markets and

green technologies for urban water management unsw sydney - Jun 05 2022

web jan 28 2022 dr kefeng zhang and dr veljko prodanovic lead the activities of the research group water green urban

management watergum in the water research centre at unsw together with their postgraduate students 4 phd students 1

mphil they are actively working in the area of green technologies to solve urban water issues through a

capital markets and institutions fins2618 university of new - Aug 07 2022

web written by unsw tutors fins2618 capital markets and institutions revision notes study guide final exam paper and

solution prepare for the fins2618 capital markets and institutions university of new south wales final examination 2023 with

the most complete exam guide available for this subject including exam style questions and

past exam papers unsw current students - Sep 20 2023

web past exam papers the examination board provides the library with some exam papers from the past years find out how you can access past exam papers

fins 1612 fins unsw course hero - Aug 19 2023

web fins 1612 fins university of new south wales school university of new south wales unsw professor nice james jasonzein perter peter t documents 845 q a 98 textbook exercises fins documents all 845 essay 9 notes 125 test prep 125 lab 2 other 584 showing 1 to 100 of 845 sort by most popular 30 pages week 2i pptx

unsw icas english paper ams istanbul edu tr - Feb 01 2022

web unsw globalpast papers completing past papers is one of the best ways to become familiar with the style and format of icas and reach assessments questions past papers are available in the key icas and reach subject areas across a range of year levels past papers are available for purchase online through our online shop

fins1612 capital markets and institutions 2020 unsw - Jun 17 2023

web explore the summer 2020 course outlines for fins1612 capital markets and institutions and get information on how each course was structured along with assessment details and previous resources

fins1612 capital markets and institutions unsw thinkswap - Feb 13 2023

web studying fins1612 capital markets and institutions university of new south wales students can access notes past essays summaries and more sign up free

fins1612 past papers unsw by alissawhitehead2200 issuu - Dec 11 2022

web sep 22 2017 read fins1612 past papers unsw by alissawhitehead2200 on issuu and browse thousands of other publications on our platform start here

fins1612 notes fins2618 capital markets and institutions unsw - Jan 12 2023

web 42 pages complete study notes year uploaded 2021 previously uploaded under fins1612 capital markets and institutions fins1612 capital markets and institutions study notes comprising of weeks 1 10

handbook - Sep 08 2022

web handbook

class details timetable unsw edu au - Oct 09 2022

web class details class details fins1612 capital markets and institutions this course is scheduled for offering in the following teaching periods for 2021 summary of summer term classes go to class detail records summer term summer teaching period summary of term one classes summary of term two classes

[introduction find theses and dissertations resource guides at unsw](#) - May 04 2022

web mar 21 2023 find newspapers and other media find patents find standards find study skills support find statistics and data find theses and dissertations locate australian new zealand and international theses unsw cricos provider code 00098g teqsa provider id prv12055 abn 57 195 873 179

fins1612 past papers unsw uniport edu ng - Mar 02 2022

web apr 4 2023 fins1612 past papers unsw below introductory real analysis a n kolmogorov 1975 06 01 comprehensive elementary introduction to real and functional analysis covers basic concepts and introductory principles in set theory metric spaces topological and linear spaces linear functionals and linear operators more 1970 edition

[fins1612 past papers unsw by gregory issuu](#) - Nov 10 2022

web jul 4 2017 save this book to read fins1612 past papers unsw pdf ebook at our online library get fins1612 past papers unsw pdf file for free from our online library fins1612 past papers unsw

fins1612 summer 2021 outline unsw business school - Apr 15 2023

web jan 8 2021 fins1612 summer 2021 outline all you need to know about summer term 2021 university university of new south wales course capital markets and institutions fins1612 796 documents students shared 796 documents in this course academic year 2021 2022 helpful 00 report document comments please sign in or register to post

[sample question yÖs examination for international students](#) - Jul 06 2022

web issa türkiye ye gelen uluslararası öğrencilerin sayısını artırmak üniversitelerin yurt dışında tanıtımlarını yapmak uluslararası öğrencilerin haklarını savunmak ve danışmanlık vermek amacı ile 2015 yılında ankara da kurulmuş bir sivil toplum kuruluşudur

fins1612 course outlines capital markets and institutions unsw - May 16 2023

web browse archives for this course accreditation explore the current course outline for fins1612 capital markets and institutions for information on how each course was structured assessment details resources key policies and support

financial and managerial accounting 15th edition textbooks com - Mar 31 2022

web buy financial and managerial accounting 15th edition 9781337902663 by carl warren jefferson p jones and william b tayler for up to 90 off at textbooks com financial and managerial accounting 15th edition 9781337902663 textbooks com

[financial managerial accounting google books](#) - Jul 15 2023

web mcgraw hill irwin 2010 accounting 1216 pages with the fifteenth edition of financial and managerial accounting the basis for business decisions the williams author team

[financial and managerial accounting edition 15 hardcover](#) - Jun 02 2022

web jan 1 2019 financial and managerial accounting edition 15 by carl s warren jefferson p jones william tayler hardcover

view all available formats editions buy new 289 95 buy used 104 72 overview establish a strong foundation in the accounting fundamentals that you need to succeed with warren jones tayler s financial and [financial and managerial accounting 15th edition cengage](#) - Aug 16 2023

web working papers chapters 15 28 for warren jones tayler s financial managerial accounting **financial managerial accounting 15th edition textbook chegg** - May 13 2023

web access financial managerial accounting 15th edition solutions now our solutions are written by chegg experts so you can be assured of the highest quality isbn 13 9781337902663 isbn 1337902667 authors ph d tayler jefferson p jones carl warren jefferson jones william b tayler rent buy alternate isbn our interactive player

financial managerial accounting mark s bettner jan williams - Apr 12 2023

web jan 7 2014 mcgraw hill education jan 7 2014 business economics 1264 pages with the seventeenth edition of financial and managerial accounting the basis for business decisions the williams author team continues to be a solid foundation for students who are learning basic accounting concepts

[financial managerial accounting 16th edition amazon com](#) - Oct 06 2022

web jan 11 2011 with the sixteenth edition of financial and managerial accounting the basis for business decisions the williams author team continues to be a solid foundation for students who are learning basic accounting concepts

[financial managerial accounting 15th edition solutions](#) - Sep 05 2022

web financial managerial accounting book edition 15th edition author s warren jones tayler isbn 9781337902663 publisher cengage learning

[financial managerial accounting 19th edition amazon com](#) - Aug 04 2022

web financial managerial accounting williams jan bettner mark carcello joseph on amazon com free shipping on qualifying offers financial managerial accounting september 15 order within 23 hrs 53 mins select delivery location used very good financial managerial accounting 19th edition by jan williams author mark

financial managerial accounting rent 9781337902663 - Dec 08 2022

web jan 1 2019 coupon rent financial managerial accounting 15th edition 9781337902663 and save up to 80 on textbook rentals and 90 on used textbooks get free 7 day instant etextbook access

financial managerial accounting by jan r williams open - Mar 11 2023

web dec 8 2022 edition availability 4 financial managerial accounting the basis for business decisions 2010 mcgraw hill in english 15th ed 0073526991 9780073526997 aaaa borrow listen

[financial managerial accounting 20th edition mcgraw hill](#) - Dec 28 2021

web financial and managerial accounting the basis for business decisions continues to offer a solid foundation for students

who are learning basic accounting concepts known for giving equal weight to financial and managerial topics the authors emphasize the need for a strong foundation in both aspects of accounting

financial managerial accounting 15th fifteenth edition text only - Feb 27 2022

web jan 1 2009 financial managerial accounting 15th fifteenth edition text only hardcover january 1 2009 by jan williams author 3 3 2 ratings see all formats and editions

financial managerial accounting 15th fifteenth edition by williams - Jun 14 2023

web financial managerial accounting 15th fifteenth edition by williams jan haka sue bettner mark carcello joseph 2009 on amazon com free shipping on qualifying offers financial managerial accounting 15th fifteenth edition by williams jan haka sue bettner mark carcello joseph 2009

financial and managerial accounting 15th edition cengage - Jan 09 2023

web provide a solid foundation in accounting fundamentals as you motivate students by demonstrating accounting s importance in business with warren jones tayler s financial and managerial accounting 15e this leading book s business examples and new chapter schemas provide meaningful context for readers

financial and managerial accounting cengage now 15th edition - May 01 2022

web buy financial and managerial accounting cengage now 15th edition 9781337911979 by carl warren jefferson p jones and william b tayler for up to 90 off at textbooks com

financial and managerial accounting 15th edition textbook chegg - Feb 10 2023

web our interactive player makes it easy to find solutions to financial and managerial accounting 15th edition problems you re working on just go to the chapter for your book hit a particularly tricky question bookmark it to

financial accounting 18th edition mcgraw hill - Jan 29 2022

web get the 18e of financial accounting by jan williams mark bettner joseph carcello and susan haka textbook ebook and other options financial accounting 18th edition isbn10 1260247945 isbn13 9781260247947 in addition to his work on financial accounting and financial managerial accounting he has created ancillary

financial and managerial accounting amazon com - Nov 07 2022

web financial and managerial accounting amazon com

financial accounting williams haka bettner 15th edition pdf - Jul 03 2022

web as understood skill does not suggest that you have astonishing points comprehending as capably as contract even more than new will manage to pay for each success neighboring to the pronouncement as without difficulty as sharpness of this financial accounting williams haka bettner 15th edition can be taken as competently as picked to act

schmerzfragebogen der dgss schmerzgesellschaft - Sep 25 2022

web der patient bekommt den physiotherapeutischen fragebogen seite 1 4 den pain disability index pdi sowie die tampa scale for kinesiophobia tsf vor der ersten behandlung ausgehändigt mit der bitte diese ausgefüllt zur ersten behandlung mitzubringen modul 3 physiotherapeutischer befund

pdi assessment questions helpdesk bricksave com - Apr 20 2022

web 2 pdi assessment questions 2022 06 16 pandemic charles c thomas publisher this handbook examines advances in the evidence based behavioral family intervention parent child interaction therapy pcit it surveys innovative adaptations tailored to specific diagnostic concerns client populations treatment settings and delivery formats

pdi assessment questions mypthub com - Oct 27 2022

web pdi assessment questions pdi 360 profiler one leadership group april 30th 2018 the pdi profiler is a 360 feedback tool used for professional development by collecting feedback from you colleagues direct reports bosses and others pdi printer test image image science may 1st 2018 downloadable file of the photodisc internation

pdi assessment questions wp publish - Mar 20 2022

web pdi assessment questions book review unveiling the power of words in a world driven by information and connectivity the energy of words has be more evident than ever they have the ability to inspire provoke and ignite change such could be the essence of the book pdi assessment questions a literary masterpiece that delves deep into the

behavioral assessment the predictive index - Sep 06 2023

web those who take the pi behavioral assessment are presented with two questions each pertaining to a single shared list of adjectives the first question asks assessment takers to select adjectives that describe the way in which they re expected to behave at work

pdi assessment questions protese odontocompany com - Aug 25 2022

web pdi assessment questions the handbook of narcissism and narcissistic personality disorder quality of life assessment key issues in the 1990s handbook of psychodynamic approaches to psychopathology intercultural competence for college and university students sexual offending

pdi assessment questions app piphany com - Feb 16 2022

web comprehending as skillfully as settlement even more than new will offer each success bordering to the revelation as well as perception of this pdi assessment questions can be taken as without difficulty as picked to act practical treatment options for chronic pain in children and adolescents michael dobe 2023 03 12

[ddi assessment tests online preparation jobtestprep](#) - Dec 29 2022

web development dimensions international ddi test online preparation hi i m sagi jobtestprep s expert for the ddi exams after thorough research and reviewing feedback from 100 s of customers i created this page for you if you have any questions after

reading it feel free to contact me at asksagi jobtestprep com

[predictive index cognitive assessment free practice test](#) - Oct 07 2023

web the predictive index cognitive assessment is a highly challenging 12 minute cognitive test in which you will need to answer 50 questions that examine your verbal numerical logical and abstract reasoning capabilities

[*pdi exam questions and answers pdi pdf myitguides com*](#) - Feb 28 2023

web exam info pass guaranteed reviews the pdi exam prep features a 100 pdi pass guaranteed you have nothing to lose contains the most relevant and up to date pdi questions and answers seen on the actual exam a 90 historical pass rate giving you confidence in your pdi exam preparation includes a free pdi mock exam software for

[*personality diversity indicator discover your e colors equilibria*](#) - Jul 04 2023

web personality diversity indicator the pdi is designed to help individuals learn about their behaviors in order to improve communication skills build better relationships and work more efficiently if you need our more detailed basic or premium reports for yourself a team or an organization please follow this link to purchase redemption codes

pdi assessment questions renewalcc com - Jul 24 2022

web pdi assessment questions downloaded from renewalcc com by guest erick finley handbook of clinical interviewing with adults oxford university press this text provides a summary of what is currently known about the diagnosis assessment construct validity etiology pathology and treatment of personality disorders it also provides

[the pain disability index psychometric and validity data](#) - Nov 27 2022

web aug 1 1987 the pain disability index pdi is a brief instrument that was developed to assess pain related disability providing information that complements assessment of physical impairment

the personality disorder interview iv personality disorders - Apr 01 2023

web may 10 2023 in the pdi iv administration book questions for the assessment of each of the 94 individual personality disorder diagnostic criteria are presented direct instructions to interviewers as well as prompts and suggestions for

revised pdi full 2016 haruv - Jun 03 2023

web these dimensions were necessarily assessed using different interviews the pdi the adult attachment interview and the object relations inventory for instance which from a research these are difficult questions and touch upon powerful emotional issues the more relaxed and unthreatened the parent feels the more likely they are to

pdi assessment questions - Jun 22 2022

web pdi assessment questions downloaded from tpc redmatters com by guest daniela burgess quality of life assessment key issues in the 1990s springer this new edition with its revised title provides critical reviews of art therapy tests along with some new reviews of assessments and updated research in the field it is comprehensive in its

[pain disability index pdi calculator mdapp](#) - May 22 2022

web feb 9 2021 pdi results range from 0 to 70 where the higher the score the greater the degree of disability and impact on life activities due to pain the pdi is used for initial evaluations and for monitoring pain relief effectiveness and response to other interventions

assessment tools people dynamics inc pdi - Aug 05 2023

web parker team player survey helps people identify how they prefer to work in teams allows individuals to examine their primary team player style contributor collaborator communicator or challenger

ace the pdi platform developer i exam with the best study guide - Jan 30 2023

web the questions on the pdi platform developer i exam can be complex and may include multiple parts so it is important to read each question carefully and understand exactly what is being asked even if you are not sure of the answer to a question it is important to answer it to the best of your ability

the personality inventory for dsm 5 pid 5 adult this measure - May 02 2023

web clinical evaluation these patient assessment measures were developed to be administered at the initial patient interview and to monitor treatment progress they should be used in research and evaluation as potentially useful tools to enhance clinical decision making and not as the sole basis for making a clinical diagnosis